



wisGROUP

Impressive CV Spare Parts

CALIPER REPAIR KITS

www.wisgroup.com.tr



since
1968

WIS GROUP company is one of the largest suppliers of heavy duty vehicles' spare parts such as trucks, trailers, tractörs and train.

The brief summary of our precious 50 years as is follows: Our company, which had start its' production in a small workplace with the entrepreneurship of Mr. Hazim AYDIN in 1968. Developed in short time, and completed its' corporate identify by improving the business with the registered brand name S-AYS during year of 1985.

Today, WIS GROUP constitutes its' efficient mass production lines by its sister companies lant which is 30.000m²- 8.000m²of which is covered - in the Organized Industry.

WIS GROUP sells its manufacturer partners ' products made of casting and hot forging to the global market. Wisgroup's core competence is to produce guaranteed, quality spare parts for OE suppliers on the global market and to supply spare parts to wholesalers around the world .

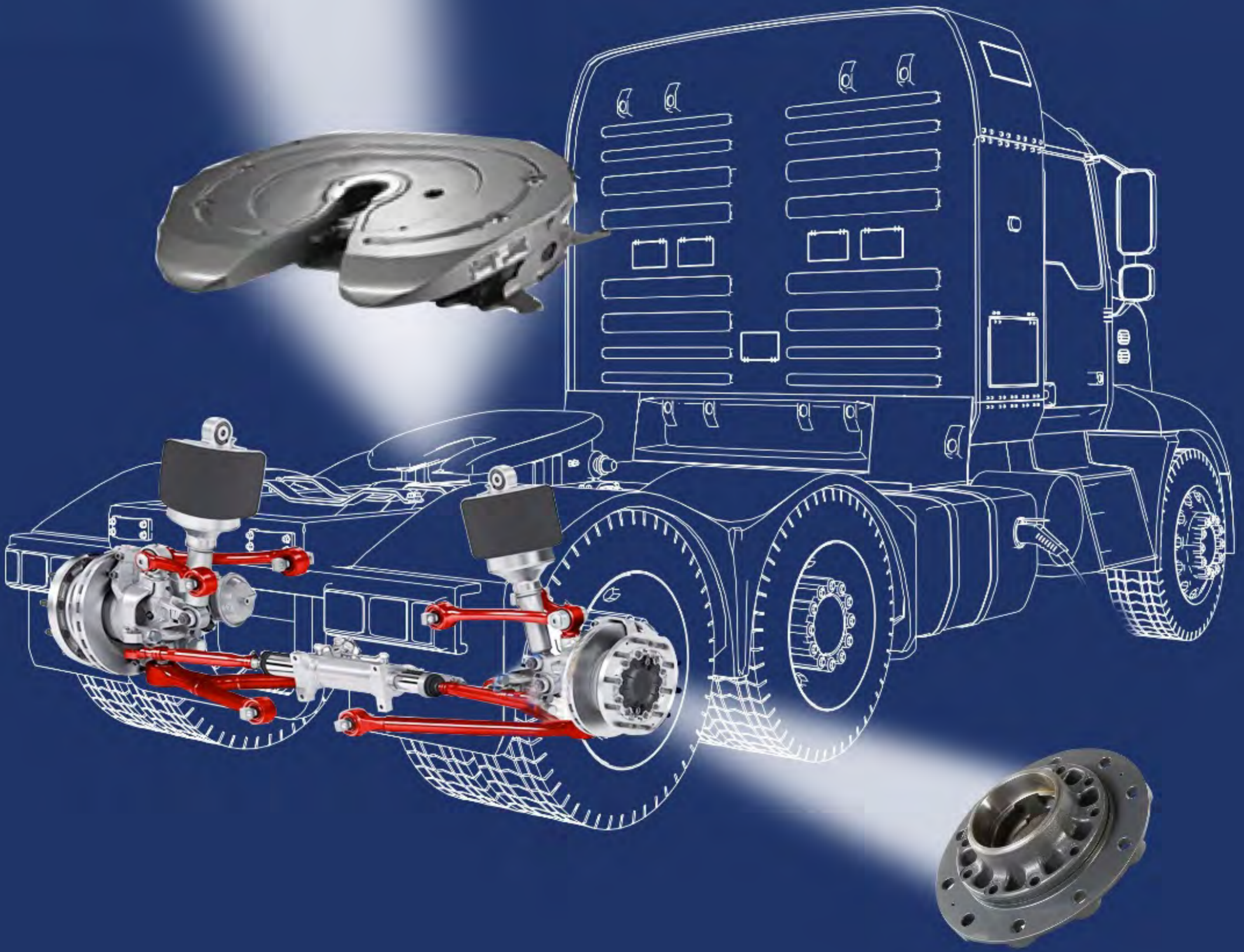
Manufacturer partners in Turkey and our workshop customers in worldwide value Wisgroup's expertise as a reliable full-service partner that keeps their business and vehicles moving. With an annual production capacity of more than 36 million products and a product range of 18 thousand, our manufacturer partners have become a leader in the world with their entrepreneurial, strong, dynamic and innovative structure ..

Commercial and heavy commercial vehicles for the European, American and Asian applications are produced with ISO 9001: 2015, ISO 2701: 2013 TS EN ISO 14001: 2015 ve IATF 16949: 2016 certificates .

Wisgroup services with a various range of; Fifth Wheels , Air Springs, Air Tank, Wheel Hubs, Ball Joint, Centre Rod, Draglink, Tie Rod, Track Control Arm, Repair Kit, Tie Rod End, Wishbone, Stabilizer, Idler Arm, V Bar, Axial Joint , Bushing, Brake Drum, Brake Discs, Caliper Parts, Oil Pumps, Flywheels and Compresors to its special customers; and always proud of being known as a trustable, specialized, fast, qualified and competitive partner by its customers. Every year by expanding our sales network in the automotive industry, hydraulic industry, railway industry, construction machines and agricultural machines from 250 grams up to 60 kilograms for different application areas such as forging and casting parts with closed die system is able to offer.

Design and mould production is maden by our manufacturer partner companies. Most of our items are equal the quality of OE replacement parts from market leading suppliers. In addition, we offer special agreement opportunities with customer-specific investments of manufacturers to whom OE companies and wholesalers that has worldwide distribution channels .

WISGROUP achieve which is none other than the satisfaction of customers.



quality policy

Quality

Excellent

Good

Average

Fair

Poor

“Quality should
be produced
not controlled”



Our target is to assure that each employee is aware of our “Quality can be produced not controlled” policy.

Quality is each employee’s duty and, thus, everybody is a member of continuous improvement projects.

We target to do right the first time.

We target zero ppm level to our customers in dimensions, mechanical and physical parameters.

We are lean and open to our suppliers with direct communication for understanding quality policies. We organize meetings and training programs for Quality System integration

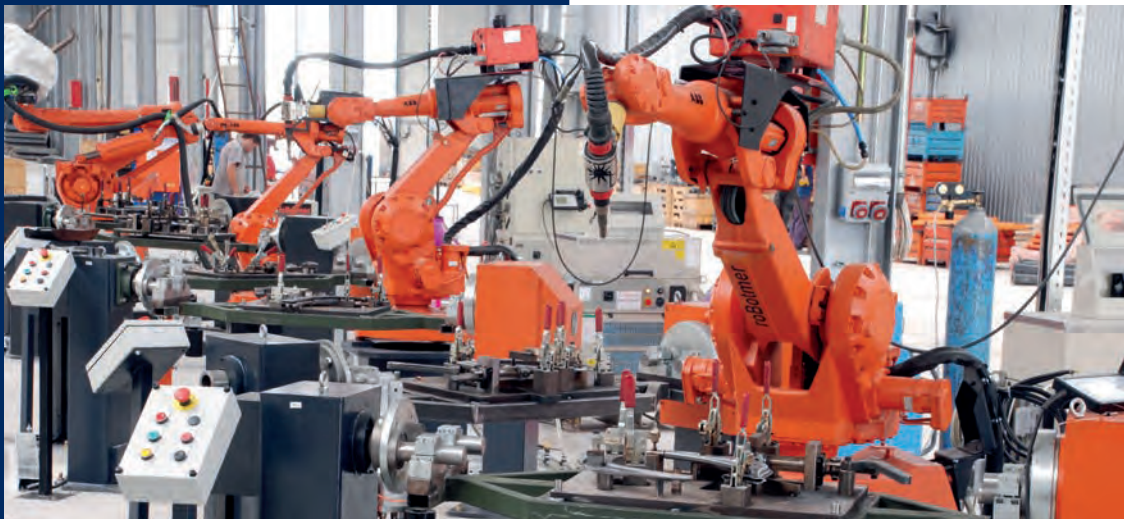


Our Continuous Improvement Activities are focus on decreasing the production costs and increasing productivity, and profit while improving product quality.

Our effort has been awarded by also ISO/TS 16949, ISO 9001 certificates.

As a responsible and caring company, we do not only focus on production but we also are environmentally friendly and manage our activities in line with social responsibility consciousness. In this context our manufacturing plants are granted with ISO 14001:2004

Certification by October 30th, 2012.



KNORR	6 - 145
MERITOR	147 - 319
WABCO	320 - 373
HALDEX	375 - 444
BPW	445 - 457
HYDRAULIC	459 - 468
Z- CAM	469 - 478
IVECO	479 - 495

W019TK01 Caliper Calibration Bolt - (3 Thread)



SB5...

SB6...

SB7...

SL7...

SM7...

W019TK02 Adjusting Mechanism Shaft



SB5...

SN5..

W001J1 Calibration Shaft Chain (12 link)



SB5...

W 01 595

Pinion Shaft

SB5...



W 00 582

Pinion Shaft Set

SB5...



W 01595 Pinion Shaft

5

W 00 577

Caliper Lever

SB5...



W 00 064

Needle Bearing Set

SB5...



W 01 584 Needle Bearing	2
--------------------------------	---

W 00416 Caliper Plastic Cover - (Without Sensor)

SB5...



W 00 417 Plastic Cover - (2 Cable Sensor)

SB5...



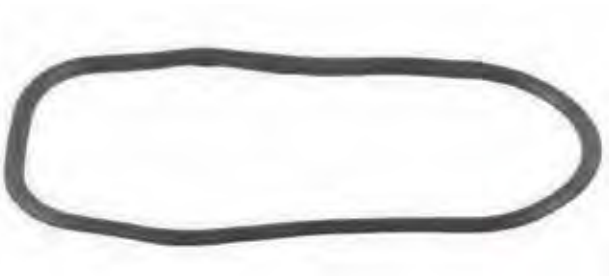
W 00 418 Caliper Plastic Cover - (3 Cable Sensor)

SB5...



W 02 069 Caliper Plastic Cover Gasket

SB5...



W 00 576 Shaft Housing

SB5...



W 01 140	Housing Casting	1
W 01 594	g	2

W 00 589

Caliper Support Seal Set

SB5...



W 01 573	Caliper Support Seal	5
-----------------	----------------------	---

W002

Caliper Tappet & Boot Set

SB5...



W 00 923	Part With Bellow - (74 mm)	1
W 00 155	Bush - Ø 16 x 18 / 10 mm	1
W 01 541	Grease -5 g	1

W 00 081/1 Caliper Tapped & Boot Set Without Chrome Plated Tappets

W 00 080

Caliper Tappet & Boot Set

11370760065

SB5...



W 00 923	Thrust Part With Bellow - (74 mm)	1
W 00 146	Shaft Housing Boot	1
W 00 155	Bush - Ø 16 x 18 / 10 mm	1
W 01 541	Grease - 5 g	1

W 00 080/1 Caliper Tapped & Boot Set Without Chrome Plated Tappets

W 00 079

Caliper Tappet Set

SB5...



W 00 923	Thrust Part With Bellow - (74 mm)	2
W 00 155	Bush - Ø 16 x 18 / 10 mm	2
W 01 541	Grease - 5 g	1

W 00 079/1 Caliper Tapped Set Without Chrome Plated Tappets

W002TK01 Tappet & Boot Set - (74 mm)

K010604 -K000944

SB5...

**W 00 078/1 Caliper Tapped & Boot Set - (74 mm) Without Chrome Plated Tappets**

W 00 923	Part With Bellow - (74 mm)	2
W 00 146	housing Boot	2
W 00 155	Ø 16 x 18 / 10 mm	2
W 01 541	- 5 g	1

W001TK02 Caliper Pin & Boot Set

SB5... SB6... SB7..

W 00 923	Part With Bellow - (74 mm)	2
W 00 155	Ø 16 x 18 / 10 mm	2
W 00 198	ot - (Red)	1
W 01 539	(White)	1
W 00 150	Cap - (Black)	1
W 01 540		1
W 00 942	r Bush - Ø 34 x 40 / 50 mm	1
W 01 541	- 5 g	1

**W 00 121/1 Caliper Pin & Boot Set Without Chrome Plated Tappets****W001TK04 Caliper Pin Boot & Cap Set**

11350470061

SB5...



W 00 198	n Boot - (Red)	1
W 01 539	ng - (White)	1
W 00 150	llow Cap - (Black)	1
W 01 540	amp	1

W001TK05 Caliper Pin & Boot Set

SB5...



W 00 923	Part With Bellow - (74 mm)	1
W 00 146	Housing Boot	1
W 00 155	Ø 16 x 18 / 10 mm	1
W 00 198	ot - (Red)	1
W 01 539	(White)	1
W 00 150	Cap - (Black)	1
W 00 942	Bush - Ø 34 x 40 / 50 mm	1
W 01 541	- 5 g	1

W 00 555/1 Caliper Pin & Boot Set Without Chrome Plated Tappets

W 01 390 Caliper Pin & Boot Set

SB5...



W 00 923	Part With Bellow - (74 mm)	1
W 00 942	Bush - Ø 34 x 40 / 50 mm	1
W 00 155	Ø 16 x 18 / 10	1
W 00 198	Boot - (Red)	1
W 01 539	(White)	1
W 00 150	Cap - (Black)	1
W 01 540		1
W 01 541	- 5 g	1

W 01 390/1 Caliper Pin & Boot Set Without Chrome Plated Tappets

W 00 112 Caliper Short Pin Repair Kit

SB5...



W 00 130	Pin - Ø 34 / 80 mm	1
W 00 942	Bush - Ø 34 x 40 / 50 mm	1
W 01 541	- 5 g	1

W 00 112/1 Caliper Short Pin Repair Kit Without Chrome Plated Pins

W 00 114 Caliper Short Pin Repair Kit

K000697

SB5...



W 00 129	Pin - Ø 32 / 80 mm	1
W 01 545	Bush	1
W 01 54	Ring	1
W 01 547	ring - Ø 39 mm	1

W 00 114/1 Caliper Short Pin Repair Kit Without Chrome Plated Pins

W 00 111 Caliper Short Pin Repair Kit

I1368470064

SB5...



W 00 130	Caliper Pin - Ø 34 / 80 mm	1
W 00 139	Pin Bolt - M16 x 1.5 / 85 mm	1
W 00 942	Rubber Brush - Ø 34 x 40 / 50 mm	1
W 01 541	Grease - 5 g	1

W 00 111/1 Caliper Short Pin Repair Kit Without Chrome Plated Pins

W 00 098 Caliper Long Pin Repair Kit

K000935

SB5...



W 00 134	Pin - Ø 36 / 145 mm	1
W 00 142	Bolt - M16 x 1.5 / 150 mm	1
W 00 154	Ø 36 x 40 / 82 mm	1
W 00 198	Cap - (Red)	1
W 01 539	(White)	1
W 00 150	Cap - (Black)	1
W 01 540		1
W 01 541	- 5 g	1

W 00 098/1 Caliper Long Pin Repair Kit Without Chrome Plated Pins

W 00 438 Caliper Pin Repair Kit

K001274

SB5...



W 00 838	in - Ø 36 / 102 mm	1
W 00 129	in - Ø 32 / 80 mm	1
W 00 839	- M16 x 1.5 / 85 mm	1
W 00 138	Pin Bolt - M16 x 1.5 / 80 mm	1
W 00 873	36 x 40 / 75 mm	1
W 01 545	ush	1
W 01 546R	ing	1
W 01 547n	g - Ø 39 mm	1
W 00 866	Ring	1
W 01 538t	- (Red)	1
W 01 539	White)	1
W 01 541-	- Ø 40 / 11 mm	1
W 01 541-	5 g	1

W 00 438/1 Caliper Pin Repair Kit Without Chrome Plated Pins

W 00 566 Caliper Pin Repair Kit

II369100062

SB5...



W 00 134	in - Ø 36 / 145 mm	1
W 00 130	in - Ø 34 / 80 mm	1
W 00 842	- M16 x 1.5 / 150 mm	1
W 00 839	- M16 x 1.5 / 85 mm	1
W 00 150	36 x 40 / 82 mm	1
W 00 942	ush - Ø 34 x 40 / 50 mm	1
W 01 538t	- (Red)	1
W 01 539	White)	1
W 00 150	ap - (Black)	1
W 01 540		1
W 01 541-	5 g	1

W 00 566/1 Caliper Pin Repair Kit Without Chrome Plated

W 01 393

Caliper Repair Kit

SB5...



W 00 923	Thrust Part With Bellow - (74 mm)	1
W 00 146	Shaft Housing Boot	1
W 00 155	Bush - Ø 16 x 18 / 10 mm	1
W 00 135	Calibration Bolt - (3 Thread)	1
W 00 049	Adjusting Mechanism Shaft	1
W 01 140	Shaft Housing Casting	1
W 01 594	Spring	2
W 01 578	Roller Bearing	2
W 00 134	Caliper Pin - Ø 36 / 145 mm	1
W 00 130	Caliper Pin - Ø 34 / 80 mm	1
W 00 142	Pin Bolt - M16 x 1.5 / 150 mm	1
W 00 139	Pin Bolt - M16 x 1.5 / 85 mm	1
W 00 154	Bush - Ø 36 x 40 / 82 mm	1
W 00 942	Rubber Bush - Ø 34 x 40 / 50 mm	1
W 00 198	Pin Boot - (Red)	1
W 01 539	Ring - (White)	1
W 00 150	Bellow Cap - (Black)	1
W 01 540	Clamp	1
W 00 161	Steel Cap	1
W 01 543	O-ring	1
W 00 963	Caliper Calibration Shaft Chain - (12 Link)	1
W 01 595	Pinion Shaft	1
W 01 541	Grease - 5 g	1

W 01 393/1 Caliper Repair Kit Without Chrome Plated Tappets & Pins

W 01 389

Caliper Complete Repair Kit

SB5...



W 01 389/1 Caliper Complete Repair Kit Without Chrome Plated Tappets & Pins

SN5...

W 00 067 Caliper tion Shaft Chain (14 link)

SN5...

**W 00 973****Caliper Lever**

SN5...



W 01 141

Caliper Shaft Housing

SN5...



W 00 767	per Bridge Assembly	1
W 01 594	ng	2

W 00 767

Caliper Bridge Assembly

SN5...



W 00 424 Plastic Cover - (Without Sensor)

SN5...



W 00 425 Plastic Cover - (2 Cable Sensor)

SN5...



W 00 426 Plastic Cover - (3 Cable Sensor)

SN5...



W 01 387

Caliper Plastic Cover Gasket

SN5...



W 01 602

Caliper Pinion Shaft

SN5...



W 01 565	per Mechanism Gear	1
W 02 208	per Pinion Shaft	1

W 00 583

Caliper Pinion Shaft Set

SN5...



W 01 565	per Mechanism Gear	5
W 02 208	per Pinion Shaft	5

W 00 969 Brake Pad Retainer Repair Kit

SN5...



W 01 665	Retainer	1
W 01 562	Cotter Pin	1
W 01 563	Pin	1
W 01 564	Pin	1

W 01 607**Caliper Cover Seal Set**

SN5...



W 01 607	Sheet Metal Cap Seal	5
----------	----------------------	---

W 01 142**Caliper Cover**

SN5...



W 01 604	Metal Cap	1
W 01 605	M8 x 1.25 / 16 mm	6
W 01 606	Metal Cap Seal	1

W 00 065**Needle Bearing Set**

SN5...



W 01 601	Needle Bearing	2
----------	----------------	---

W 00 122 Adjusting Mechanism Cap Set - (38 mm)

K000029

SN5...



W 01 558	ng Mechanism Cap - (38 mm)	10
W 01 560	ng Mechanism Adapter	10

W001TK003 Brake Pad Retainer Repair Kit

SN5...

W 00 925	Part With Bellow - Ø 69.3 mm	1
W 00 155	Bush Ø 16 x 18 / 10 mm	1



W 00 083/1 Brake Pad Retainer Repair Kit Without Chrome Plated Tappets

W001TK03 Brake Pad Retainer Repair Kit

K001929

SN5...



W 00 925		1
W00933	Busing Boot	1
W00155	16 x 18 / 10 mm	1

W 00 082/1 Brake Pad Retainer Repair Kit Without Chrome Plated Tappets

W 00 553 Caliper Pin & Boot Set

SN5...



W 00 925	Part With Bellow	1
W 00 933	ousing Boot	1
W 00 155	Ø 16 x 18 / 10 mm	1
W 00 198	ot - (Red)	1
W 00 539	(White)	1
W 00 150	Cap - (Black)	1
W 00 042	r Bush - Ø 34 x 40 / 50 mm	1
W 00 641	- 5 g	1

W 00 553/1 Caliper Pin & Boot Set Without Chrome Plated Tappets

W 00 105 Brake Pad Retainer Repair Kit

K001928

SN5...



W 00 596	r Pin - Ø 30 / 99 mm	1
W 00 597	r Pin - Ø 30 / 72 mm	1
W 00 140	lt - M16 x 1.5 / 105 mm	1
W 00 137	lt - M16 x 1.5 / 75 mm	1
W 00 987	ot - (Red)	2
W 00 598	(Plastic)	2
W 00 599	30 x 34 / 65 mm	1
W 00 225	30 x 34 / 20 mm	1
W 00 600	p - Ø 34 / 14 mm	2
W 00 641	- 5 g	1

W 00 105/1 Brake Pad Retainer Repair Kit Without Chrome Plated Pins

W 01 394

Caliper Repair Kit

SN5...



W 01 394/1 Caliper Repair Kit Without Chrome Plated Pins and Tappets

W 01 388 Caliper Complete Repair Kit

SN5...



W 01 388/1 Caliper Complete Repair Kit Without Chrome Plated Pins and Tappets

W 02 219

Caliper Repair Set

MAN TGL 12.180
 MERCEDES ATEGO 712
 MERCEDES ATEGO 1023
 MERCEDES ATEGO 1528

SN5...



W 02 219/1 Caliper Pin & Boot Set Without Chrome Plated Pins and Tappets



wisGROUP

Impressive CV Spare Parts

FOR KNORR SB6/SB7

www.wisgroup.com.tr

W 00 153 Caliper Pin Rubber Bush - (Long) - Ø 39 mm

02.1410.21.00

SB6...
SB7...

W 01 545	Rubber Bush	1
W 01 546	Plastic Ring	1
W 01 547	Stop Ring - Ø 39 mm	1

W 01 118 Caliper Short Pin Repair Kit

K000698

SB6...
SB7...

W 00 129	Caliper Pin - Ø 32 / 80 mm	1
W 00 138	Pin Bolt - M16 x 1.5 / 80 mm	1
W 01 545	Rubber Bush	1
W 01 546	Plastic Ring	1
W 01 547	Stop Ring - Ø 39 mm	1
W 00 166	Pin Bolt Ring	1

W 01 118/1 Caliper Short Pin Repair Kit Without Chrome Plated Pins

W 00 114**Caliper Short Pin Repair Kit**

K000697

SB6...
SB7...

W 00 129	Caliper Pin - Ø 32 / 80 mm	1
W 01 545	Rubber Bush	1
W 01 546	Plastic Ring	1
W 01 547	Stop Ring - Ø 39 mm	1

W 00 114/1 Caliper Short Pin Repair Kit Without Chrome Plated

Pins

W 00 567 Caliper Pin Repair Kit

**SB6...
SB7...**



W 00 567/1 Caliper Pin Repair Kit Without Chrome Plated Pins

W 00 085 Caliper Pin Repair Kit

K000375

**SB6...
SB7...**



W 00 085/1 Caliper Pin Repair Kit Without Chrome Plated

W001TK19 Caliper Pin Repair Kit

K067417K50

**SB6...
SB7...**



W 01 386/1 Caliper Pin Repair Kit Without Chrome Plated Pins

W001TK11 Caliper Pin Repair Kit

11328090062

**SB6...
SB7...**



W 00 094/1 Caliper Pin Repair Kit Without Chrome Plated Pins

W001TK12 Caliper Long Pin Repair Kit

K000935

**SB6...
SB7...**



W 00 098/1 Caliper Long Pin Repair Kit Without Chrome Plated

Pins

W001TK12 Caliper Pin Repair Kit

11339680062

SB7...



W 00 566/1 Caliper Pin Repair Kit Without Chrome Plated Pins

W 01 115 Caliper Pin Repair Kit

SB7...



W 01 115/1 Caliper Pin Repair Kit Without Chrome Plated Pins

W001TK14

Caliper Pin Repair Kit

K000132

**SB6...
SB7...**



W 00 559/1 Caliper Pin Repair Kit Without Chrome Plated Pins

W 00 112 Caliper Short Pin Repair Kit

**SB6...
SB7...**



W 00 130	Caliper Pin - Ø 34 / 80 mm	1
W 00 942	Rubber Bush - Ø 34 x 40 / 50 mm	1
W 01 541	Grease - 5 g	1

W 00 112/1 Caliper Short Pin Repair Kit Without Chrome Plated Pins

W00111 Caliper Short Pin Repair Kit

11368470064

**SB6...
SB7...**



W 00 130	Caliper Pin - Ø 34 / 80 mm	1
W 00 139	Pin Bolt - M16 x 1.5 / 85 mm	1
W 00 942	Rubber Bush - Ø 34 x 40 / 50 mm	1
W 01 541	Grease - 5 g	1

W 00 111/1 Caliper Short Pin Repair Kit Without Chrome Plated

Pins

W 01 117 Caliper Pin Repair Kit

**SB6...
SB7...**



W 01 117/1 Caliper Pin Repair Kit Without Chrome Plated Pins

W006TK03 Caliper Pin Rubber Bush - (Long) - Ø 35 mm

02.1410.22.00

**SB6...
SB7...**



W006TK06 Caliper Short Pin Repair Kit

09.801.06.90.0

**SB6...
SB7...**



W 01 113/1 Caliper Short Pin Repair Kit Without Chrome Plated

W 00 557 Caliper Short Pin Repair Kit

**SB6...
SB7...**



W 00 557/1 Caliper Short Pin Repair Kit Without Chrome Plated Pins

W001TK17 Caliper Pin Repair Kit

K001532

**SB6...
SB7...**



W 00 412/1 Caliper Pin Repair Kit Without Chrome Plated Pins

W 01 0 Caliper Pin Repair Kit

K048371K50

**SB6...
SB7...**



W 01 030/1 Caliper Pin Repair Kit Without Chrome Plated

Pins

W020TK02 Caliper Pin And Pad Retainer Repair Kit

K003800

SB7...



W 01 385/1 Caliper Pin And Pad Retainer Repair Kit Without Chrome Plated Pins

W 01 548 Caliper Pin Rubber Bush - (Short) - Ø 35 mm

**SB6...
SB7...**



W 01 549	Rubber Bush	1
W 01 546	Plastic Ring	1
W 01 544	Stop Ring - Ø 35 mm	1

W 00 092 Caliper Pin Repair Kit

II39769F0062

**SB6...
SB7...**



W 00 132	Caliper Pin - Ø 36 / 114 mm	1
W 00 130	Caliper Pin - Ø 34 / 80 mm	1
W 00 139	Pin Bolt - M16 x 1.5 / 85 mm	2
W 00 154	Bush - Ø 36 x 40 / 82 mm	1
W 00 942	Rubber Bush - Ø 34 x 40 / 50 mm	1
W 00 198	Pin Boot - (Red)	1
W 01 539	Ring - (White)	1
W 00 161	Steel Cap	1
W 01 543	O-ring	1
W 01 541	Grease - 5 g	1

W 00 092/1 Caliper Pin Repair Kit Without Chrome Plated Pins

W 01 031 Caliper Pin Repair Kit

K048396K50

**SB6...
SB7...**

W 00 132	Caliper Pin - Ø 36 / 114 mm	1
W 00 129	Caliper Pin - Ø 32 / 80 mm	1
W 00 139	Pin Bolt - M16 x 1.5 / 85 mm	1
W 00 138	Pin Bolt - M16 x 1.5 / 80 mm	1
W 00 154	Bush - Ø 36 x 40 / 82 mm	1
W 01 549	Rubber Bush	1
W 01 546	Plastic Ring	1
W 01 544	Stop Ring - Ø 35 mm	1
W 00 198	Pin Boot - (Red)	1
W 01 539	Ring - (White)	1
W 00 161	Steel Cap	1
W 01 543	O-ring	1
W 01 541	Grease - 5 g	1



W 01 031/1 Caliper Pin Repair Kit Without Chrome Plated

W 01 552**Caliper Cap Set****II344730063****SB7...**

W 00 913	Bellow Cap - (Black)	1
W 01 540	Clamp	1

W 00 433**Caliper Pin Repair Kit****II179320062****SB7...**

W 00 839	Caliper Pin - Ø 36 / 135 mm	1
W 00 837	Caliper Pin - Ø 34 / 120 mm	1
W 00 806	Pin Bolt - M16 x 1.5 / 140 mm	1
W 00 807	Pin Bolt - M16 x 1.5 / 125 mm	1
W 00 154	Bush - Ø 36 x 40 / 82 mm	1
W 00 944	Rubber Bush - Ø 34 x 40 / 95 mm	1
W 00 908	Pin Boot	1
W 00 913	Bellow Cap - (Black)	1
W 01 540	Clamp	1
W 01 541	Grease - 5 g	1

W 00 433/1 Cal'per P'n Repa'r K't W'thout Chrome Plated P'ns**W 00 439****Caliper Pin Repair Kit****II358510062****SB6...
SB7...**

W 00 134	Caliper Pin - Ø 36 / 145 mm	1
W 00 837	Caliper Pin - Ø 34 / 120 mm	1
W 00 142	Pin Bolt - M16 x 1.5 / 150 mm	1
W 00 807	Pin Bolt - M16 x 1.5 / 125 mm	1
W 00 154	Bush - Ø 36 x 40 / 82 mm	1
W 00 944	Rubber Bush - Ø 34 x 40 / 95 mm	1
W 00 198	Pin Boot - (Red)	1
W 01 539	Ring - (White)	1
W 00 150	Bellow Cap - (Black)	1
W 01 540	Clamp	1
W 01 541	Grease - 5 g	1

W 00 439/1 Cal'per P'n Repa'r K't W'thout Chrome Plated**P'ns**

W 01 554

Caliper Cap Set

II197140063

SB7...



W 01 119

Caliper Pin Repair Kit

II197140062

SB7...



W 01 119/1 Caliper Pin Repair Kit Without Chrome Plated Pins

W 01 120

Caliper Pin Repair Kit

II197330062

SB7...



W 01 120/1 Caliper Pin Repair Kit Without Chrome Plated Pins

W 01 550

Caliper Pin Boot Set

09.801.06.34.0

**SB6...
SB7...**



W 00 126

Caliper Pin Boot & Cap Set

11328090061

**SB6...
SB7...**



W 00 095 Caliper Long Pin Repair Kit

**11310370066
K000696**

**SB6...
SB7...**



W 00 095/1 Caliper Long Pin Repair Kit Without Chrome Plated

Pins

W00152 Caliper Pin Rubber Bush - (Short)

**SB6...
SB7...**



W 01 549	Rubber Bush	1
W 01 546	Plastic Ring	1
W 01 547	Stop Ring - Ø 39 mm	1

W 01 121 Caliper Short Pin Repair Kit

**SB6...
SB7...**



W 00 129	Caliper Pin - Ø 32 / 80 mm	1
W 00 138	Pin Bolt - M16 x 1.5 / 80 mm	1
W 01 549	Rubber Bush	1
W 01 546	Plastic Ring	1
W 01 547	Stop Ring - Ø 39 mm	1

W 01 121/1 Caliper Short Pin Repair Kit Without Chrome Plated Pins

W 00 116 Caliper Short Pin Repair Kit

**SB6...
SB7...**



W 00 129	Caliper Pin - Ø 32 / 80 mm	1
W 01 549	Rubber Bush	1
W 01 546	Plastic Ring	1
W 01 547	Stop Ring - Ø 39 mm	1

W 00 116/1 Caliper Short Pin Repair Kit Without Chrome Plated

W 00 091 Caliper Pin Repair Kit

K000687

**SB6...
SB7...**



W 00 091/1 Caliper Pin Repair Kit Without Chrome Plated Pins

W 00 968 Caliper Pin Repair Kit

K000365

**SB6...
SB7...**



W 00 968/1 Caliper Pin Repair Kit Without Chrome Plated

Pins

W 01 029 Caliper Pin Repair Kit

K048396K50

**SB6...
SB7...**



W 01 029/1 Caliper Pin Repair Kit Without Chrome Plated Pins

W 00 945

Caliper Pin Rubber Bush

SB7...



W 01 556	Rubber Bush	1
W 01 547	Stop Ring - Ø 39 mm	1

W 00 440

Caliper Pin Repair Kit

K031844K50

SB7...



W 00 440/1 Caliper Pin Repair Kit Without Chrome Plated Pins

W 01 122

Caliper Pin Repair Kit

K010813

SB7...

W 00 132	Caliper Pin - Ø 36 / 114 mm	1
W 00 131	Caliper Pin - Ø 36 / 64 mm	1
W 00 139	Pin Bolt - M16 x 1.5 / 85 mm	1
W 00 809	Pin Bolt - M16 x 1.5 / 70 mm	1
W 00 154	Bush - Ø 36 x 40 / 82 mm	1
W 00 159	Bush - Ø 36 x 40 / 20 mm	1
W 00 198	Pin Boot - (Red)	2
W 01 539	Ring - (White)	2
W 00 899	Pin Cap - Ø 40 / 24.5 mm	1
W 00 161	Steel Cap	1
W 01 543	O-ring	1
W 01 541	Grease - 5 g	1



W 01 122/1 Caliper Pin Repair Kit Without Chrome Plated

W 00 749 Caliper Pin & Boot Set**SB6...
SB7...**

W 00924	Part With Bellow - (69 mm)	2
W00933	Shaft Housing Boot	2
W00155	Ø 16 x 18 / 10 mm	2
W 00 198	Pin Boot - (Red)	1
W 01 539	(White)	1
W 00 150	Cap - (Black)	1
W 00 1540		1
W 00 154	Ø 36 x 40 / 82 mm	1
W 00 942	Bush - Ø 34 x 40 / 50 mm	1
W 00 166	ap	1
W 00 549		1
W 01 558	Mechanism Cap - (38 mm) lt	1
W 00 166	Ring	1
W 00 541	- 5 g	1

W 00 749/1 Caliper Pin & Boot Set Without Chrome Plated Tappets**W 00 121 Caliper Pin & Boot Set****SB6...
SB7...**

W 00 923	Thrust Part With Bellow - (74 mm)	2
W 00 155	Bush - Ø 16 x 18 / 10 mm	2
W 00 198	Pin Boot - (Red)	1
W 01 539	Ring - (White)	1
W 00 150	Bellow Cap - (Black)	1
W 01 540	Clamp	1
W 00 942	Rubber Bush - Ø 34 x 40 / 50 mm	1
W 01 541	Grease - 5 g	1

W 00 121/1 Caliper Pin & Boot Set Without Chrome Plated Tappets

W 00 119 Caliper Pin & Boot Set

SB6...
SB7...



W 00 923	Thrust Part With Bellow - (74 mm)	2
W 00 146	Shaft Housing Boot	2
W 00 155	Bush - Ø 16 x 18 / 10 mm	2
W 00 198	Pin Boot - (Red)	1
W 01 539	Ring - (White)	1
W 00 150	Bellow Cap - (Black)	1
W 01 540	Clamp	1
W 00 154	Bush - Ø 36 x 40 / 82 mm	1
W 00 942	Rubber Bush - Ø 34 x 40 / 50 mm	1
W 00 161	Steel Cap	1
W 01 543	O-ring	1
W 01 558	Adjusting Mechanism Cap - (38 mm)	1
W 00 166	Pin Bolt Ring	1
W 01 541	Grease - 5 g	1

W 00 119/1 Caliper Pin & Boot Set Without Chrome Plated Tappets

W 00 748 Caliper Boots & Piston Repair Kits

SN5...



W 00 155	Bush - Ø 16 x 18 / 10 mm	2
W 00 924	Thrust Part With Bellow - (69 mm)	2
W 00 150	Bellow Cap - (Black)	1
W 00 942	Rubber Bush - Ø 34 x 40 / 50 mm	1
W 01 539	Ring - (White)	1
W 00 198	Pin Boot - (Red)	1
W 01 541	Grease - 5 g	1

W 00 748/1 Caliper Boots & Piston Repair Kits Without Chrome Plated Tappets

W 00 125

Caliper Cap Set

1139769F0063

**SB6...
SB7...**



W 01 551

Caliper Bellow Cap Set

11350470063

**SB6...
SB7...**



W 00 150	w Cap - (Black)	1
W 01 540	p	1

W 00 123

Caliper Cap Set

K001301

**SB6...
SB7...**



W 00 071 Brake Pad Retainer Repair Kit

K000129

SB7...

**W 00 437 Caliper Pad Retainer Repair Kit**

K000884

SB7...

**W 01 123 Brake Pad Retainer Repair Kit**

SB7...

**W 00 442 Brake Pad Retainer Repair Kit**

K002311

SB7...

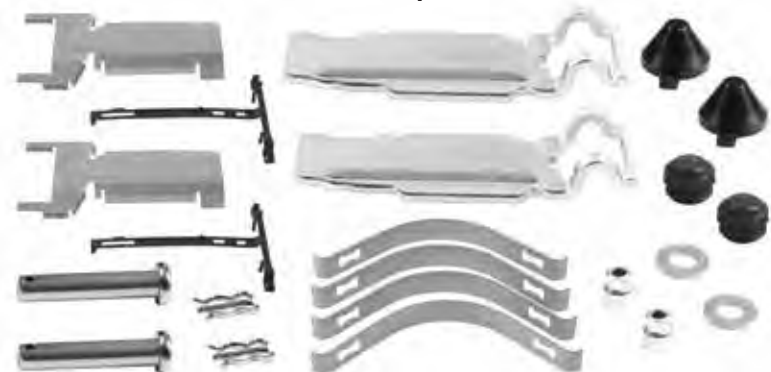


W 00 969 Brake Pad Retainer Repair Kit**K000133****SB6...****W 01 383 Brake Pad Retainer Repair Kit****SB6...**

W 01 665	Pad Retainer	1
W 01 562	Split Cotter Pin	1
W 01 563	Washer	1
W 01 564	Pin	1
W 01 391	Caliper Cable Protection Kit	1

W 01 382 Brake Pad Retainer Repair Kit**SB6...**

W 01 665	Pad Retainer	2
W 01 562	Split Cotter Pin	2
W 01 563	Washer	2
W 01 564	Pin	2
W 01 558	Adjusting Mechanism Cap - (38 mm)	2
W 01 559	Adjusting Mechanism Cap	2
W 01 560	Adjusting Mechanism Adapter	2
W 01 381	Brake Pad Retainer	4

W 01 380 Brake Pad Retainer Repair Kit**SB6...**

W 01 391	Caliper Cable Protection Kit	2
W 01 665	Pad Retainer	2
W 01 562	Split Cotter Pin	2
W 01 563	Washer	2
W 01 564	Pin	2
W 01 558	Adjusting Mechanism Cap - (38 mm)	2
W 01 559	Adjusting Mechanism Cap	2
W 01 560	Adjusting Mechanism Adapter	2
W 01 381	Brake Pad Retainer	4

W 00394 Pad Retainer & Adapter Repair Kit

**SB6...
SB7...**



W00435 Adjusting Mechanism Cap Set - (38 mm)

K000945

**SB6...
SB7...**



W 01 391 Caliper Cable Protection Kit

**SB6...
SB7...**



W 00 581 Adjusting Mechanism Adapter Set

Z001548S

SB6...
SB7...**W 01 612** Adjusting Mechanism Adapter Set

Z001548

SB6...
SB7...**W 00 589** Caliper Support Seal SetSB6...
SB7...

W 00 069 Sensor Cover - (Without Sensor)SB6...
SB7...**W 00 413** Sensor Cover - (2 Cable Sensor)SB6...
SB7...**W 00414** Caliper Sensor Cover - (3 Cable Sensor)SB6...
SB7...**W 00415** Caliper Sensor Cover - (MAN Type 3 Cable Sensor)SB6...
SB7...

W 00 420 Sensor Cover - (Without Sensor)SB6...
SB7...**W 00 421** Caliper Sensor Cover - (2 Cable Sensor)SB6...
SB7...**W 00 422** Sensor Cover - (3 Cable Sensor)SB6...
SB7...

W 01 565

Caliper Mechanism Gear

**SB6...
SB7...**



W 00 051 Caliper Mechanism Gear Set

**SB6...
SB7...**



wis01665v Caliper Mechanism Gear 5

W 00 066

Caliper Calibration Shaft Chain

**SB6...
SB7...**



W 00 052

Cliper Pinion Shaft

**SB6...
SB7...**



W 01 570 Caliper Sensor Cover Gear Shaft

SB6...
SB7...



W 00 587 Sensor Cover Gear Shaft Set

SB6...
SB7...



W 01 570 Caliper Sensor Cover Gear Shaft 5

W 01 575 Caliper Plastic Cover Seal

SB6...
SB7...

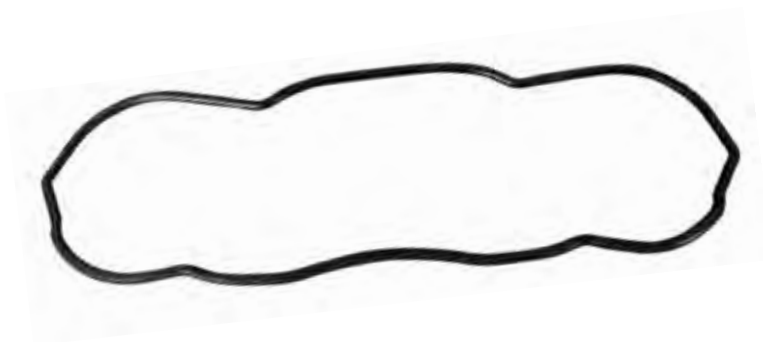


W 01 379 Caliper Plastic Cover Seal Set

SB6...
SB7...



W 01 575 Caliper Plastic Cover Seal 5

W 00 048**Adjusting Mechanism Shaft**SB6...
SB7...**W 01 574 Caliper Sensor Cover Gasket**SB6...
SB7...**W 00 588 Caliper Sensor Cover Gear Shaft Set**SB6...
SB7...**W 01 572 Caliper Sensor Cover Gear Shaft 5**

W 00 050

Pinion Shaft

**SB6...
SB7...**



W 00 573

Pinion Shaft

**SB6...
SB7...**



W 00 574

Pinion Shaft

**SB6...
SB7...**



W 00 575

Pinion Shaft

**SB6...
SB7...**



W 00 078 Caliper Tappet & Boot Set - (74 mm)

**K000944
K010604**

**SB6...
SB7...**



W 00 078/1 Caliper Tappet & Boot Set - (74 mm) Without Chrome Plated Tappets

W 00 079

Caliper Tappet Set

**II179320065
II304130065**

**SB6...
SB7...**



W 00 079/1 Caliper Tappet Set Without Chrome Plated Tappets

W 00 080 Caliper Tappet & Boot Set

11370760065

**SB6...
SB7...**



W 00 080/1 Caliper Tappet & Boot Set Without Chrome Plated Tappets

W 00 081 Caliper Tappet & Boot Set

**II179320065
II304130065**

**SB6...
SB7...**



W 00 081/1 Caliper Tappet & Boot Set Without Chrome Plated Tappets

W 00 151

Caliper Lever Bearing

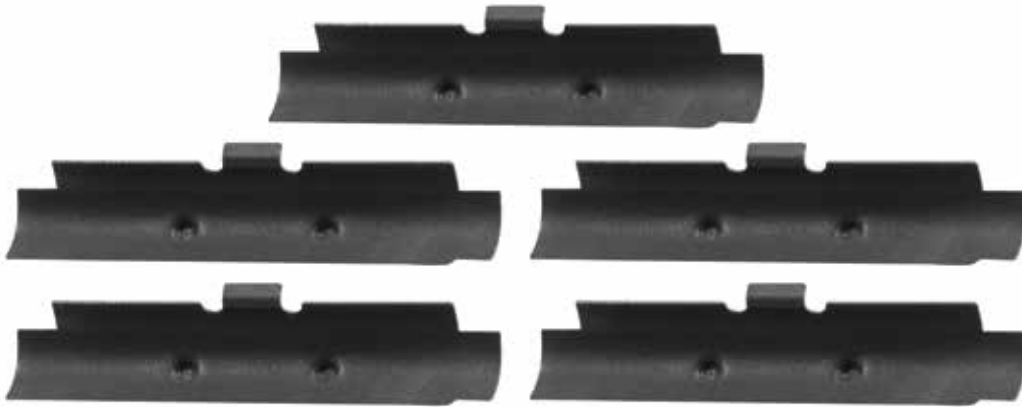
**SB6...
SB7...**



W 00 584

Caliper Lever Bearing Set

**SB6...
SB7...**



W 01 613

Caliper Lever Bearing Set

**SB6...
SB7...**



W 02 223 Adjusting Mechanism Shaft

SB6...
SB7...



W 02 225 Caliper Sensor Plastic Locker Set

SB6...
SB7...



W 02 224 Caliper Sensor Plastic Locker 5

W 02 227 Caliper Cover Bolt Kit

SB6...
SB7...



W 02 226 Bolt M14 X 2 / 55 mm 8

W 02 229 Caliper Cover Bolt Kit

SB6...
SB7...



W 02 228 Bolt M10 X 1.5 / 60 mm 8

W 00 045

Shaft Housing Set

**SB6...
SB7...**



W 00 053

Shaft Housing Assembly

**SB6...
SB7...**



W 00 062

Needle Bearing Set

**SB6...
SB7...**



W 01 578 Needle Bearing 2

W 00 064

Needle Bearing Set

**SB6...
SB7...**



W 01 584 Needle Bearing 2

W00578 Caliper Lever - Straight (Angle 0°) Length :114mm

SB6...



W 01 124

Caliper Repair Set

SB6...



W 00 923	Thrust Part With Bellow - (74 mm)	2
W 00 146	Shaft Housing Boot	2
W 00 155	Bush - Ø 16 x 18 / 10 mm	2
W 01 566	Caliper Shaft Housing	1
W 01 567	Shaft Housing Pin	1
W 01 568	Shaft Housing Pin Clamp	2
W 01 569	Shaft Housing Spring	1
W 00 578	Lever - Straight (Angle 0°)	1
W 01 578	Roller Bearing	2
W 00 066	Calibration Shaft Chain	1
W 00 048	Adjusting Mechanism Shaft	1
W 00 050	Pinion Shaft	1
W 00 135	Calibration Bolt - (3 Thread)	2
W 01 541	Grease - 5 g	1

W 01 124/1 Caliper Repair Set Without Chrome Plated Tappets

W 01 126 Caliper Lever - (Angle 12°)

SB7...



W 01 125

Caliper Repair Set

SB7...



W 01 125/1 Caliper Repair Set Without Chrome Plated Tappets

W 00 057 Caliper Lever - Straight (Angle 0°)

SB7...



W 01 128

Caliper Repair Set

SB7...



W 01 128/1 Caliper Repair Set Without Chrome Plated Tappets

W00059 Caliper Lever - (Angle 12°) Length :123 mm

SB7...



W 01 129

Caliper Repair Set

SB7...



W 01 129/1 Caliper Repair Set Without Chrome Plated Tappets

W 01 384 Caliper Repair Kit Old Model

SB7...



W 01 384/1 Caliper Repair Kit Old Model Without Chrome Plated Pins and Tappets

W 01 392 Caliper Repair Kit New Model

SB7...



W 00 923	Thrust Part With Bellow - (74 mm)	2
W 00 146	Shaft Housing Boot	2
W 00 155	Bush - Ø 16 x 18 / 10 mm	2
W 00 050	Pinion Shaft	1
W 00 048	Adjusting Mechanism Shaft	1
W 01 566	Caliper Shaft Housing	1
W 01 567	Shaft Housing Pin	1
W 01 568	Shaft Housing Pin Clamp	2
W 01 569	Shaft Housing Spring	1
W 00 135	Calibration Bolt - (3 Thread)	2
W 00 066	Caliper Calibration Shaft Chain	1
W 01 578	Roller Bearing	2
W 00 132	Caliper Pin - Ø 36 / 114 mm	1
W 00 129	Caliper Pin - Ø 32 / 80 mm	1
W 00 139	Pin Bolt - M16 x 1.5 / 85 mm	1
W 00 138	Pin Bolt - M16 x 1.5 / 80 mm	1
W 00 198	Pin Boot - (Red)	1
W 01 539	Ring - (White)	1
W 00 154	Bush - Ø 36 x 40 / 82 mm	1
W 00 160	Pin Cap - Ø 40 / 14.5 mm	1
W 01 549	Rubber Bush	1
W 01 546	Plastic Ring	1
W 01 547	Stop Ring - Ø 39 mm	1
W 01 541	Grease - 5 g	1

W 01 392/1 Caliper Repair Kit New Model Without Chrome Plated Pins and Tappets

W 01 551 Caliper Bellow Cap Set

11350470063

SB7...
Radial



W 00 589 Caliper Support Seal Set

SB7...
Radial



W 01 573 Caliper Support Seal

5

W 00 586 Caliper Sensor Cover Gear Shaft Set

SB7...
Radial



W 01 571 Caliper Sensor Cover Gear Shaft 5

W 01 374 Plastic Cover Gasket

SB7...
Radial



W 00 566

Caliper Pin Repair Kit

11339680062

**SB7...
Radial**



W 00 566/1 Caliper Pin Repair Kit Without Chrome Plated Pins

W 00 111 Caliper Short Pin Repair Kit

11368470064

**SB7...
Radial**



W 00 111/1 Caliper Short Pin Repair Kit Without Chrome Plated Pins

Pins

W 00 435 Adjusting Mechanism Cap Set - (38 mm)

K000945

**SB7...
Radial**



W 00 428 Caliper Sensor Cover - (Without Sensor)SB7...
Radial**W 00 429** Caliper Sensor Cover - (2 Cable Sensor)SB7...
Radial**W00 430** Caliper Sensor Cover - (Man Type 3 Cable Sensor)SB7...
Radial

W 00 751 Caliper Sensor Cover - (Without Sensor)**SB7...**
Radial**W 00 752** Caliper Sensor Cover - (2 Cable Sensor)**SB7...**
Radial**W00 753** Caliper Sensor Cover - (MAN Type 3 Cable Sensor)**SB7...**
Radial

W 00 579

Caliper Lever

SB7...
Radial



W 01 130

Caliper Repair Set

SB7...
Radial



W 01 130/1 Caliper Repair Set Without Chrome Plated Tappets

W 02 236

Caliper Lever (86 degree)

**SB7...
Radial**



W 02 237

Caliper Repair Set

**SB7...
Radial**



W 02 237/1 Caliper Repair Set Without Chrome Plated Tappets

340 00 520

Brake Disc Pads

SB7...
Radial



340 00 521

Brake Disc Pads

SB7...
Radial



W 01 559**Adjusting Mechanism Cap****II17934004****SB7...
Radial****W 01 571****Caliper Sensor Cover Gear Shaft****SB7...
Radial****W 01 560 Adjusting Mechanism Adapter****02.2400.11.00****SB7...
Radial****W 02 239****Caliper Cover Bolt Kit****SB7...
Radial****W 02 238 Bolt M12 x 1.75 / 80 mm****8**

W 02 220 Caliper Short Pin Repair Kit

K000421

**SB6...
SB7...**



W 01 545	Caliper Pin Rubber Bush - (Long)	1
W 01 546	Plastic Ring	1
W 01 544	Stop Ring Ø 35 mm	1
W 00 129	Caliper Pin Ø 32 / 80 mm	1
W 00 138	Pin Bolt M16 X 1.5 / 80 mm	1
W 00 166	Pin Bolt Ring	1
W 01 381	Brake Pad Spring	2

W 02 220/1 Caliper Short Pin Repair Kit Without Chrome Plated Pins

W 02 221 Caliper Short Pin Repair Kit

K048399K50

**SB6...
SB7...**



W 00 129	Caliper Pin Ø 32 / 80 mm	1
W 00 138	Pin Bolt M16 X 1.5 / 80 mm	1
W 01 549	Caliper Pin Rubber Bush - (Short)	1
W 01 546	Plastic Ring	1
W 01 547	Stop Ring Ø 39 mm	1
W 01 381	Brake Pad Spring	2

W 02 221/1 Caliper Short Pin Repair Kit Without Chrome Plated Pins

W 02 222 Brake Pad Retainer Repair Kit

**K000946KNORR
SCANIA 1504808
SCANIA 1886091**

**SB6...
SB7...**

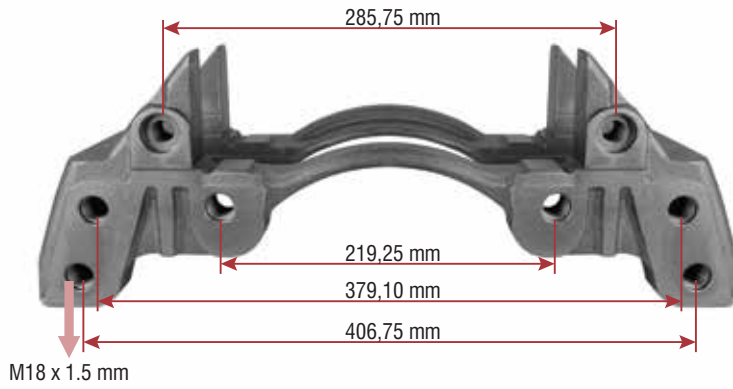


W 01 359

Caliper Carrier

K001278

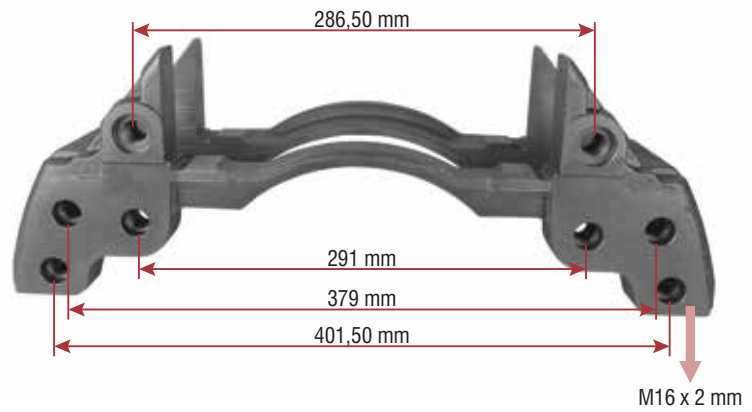
**SB7...
Radial**



W 01 360

Caliper Carrier

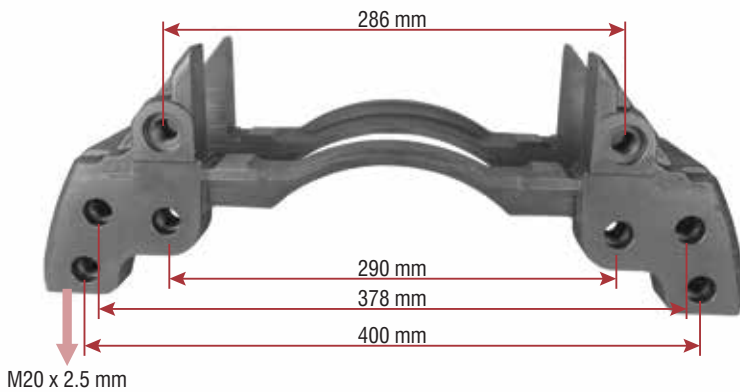
**SB7...
Radial**



W 01 361

Caliper Carrier

**SB7...
Radial**

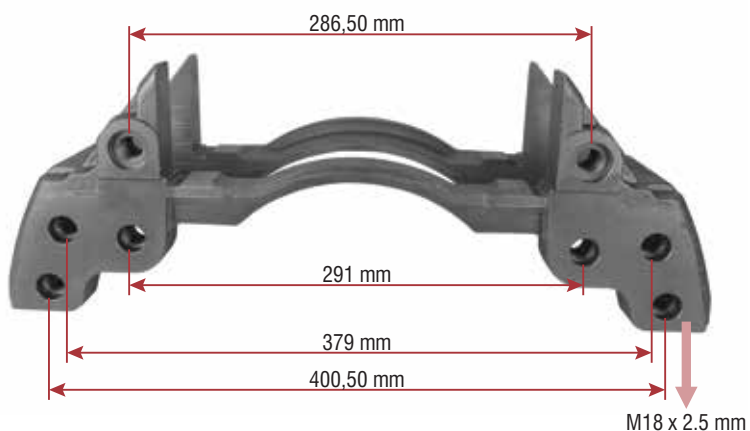


W 01 362

Caliper Carrier

**K001528
K011479**

**SB7...
Radial**

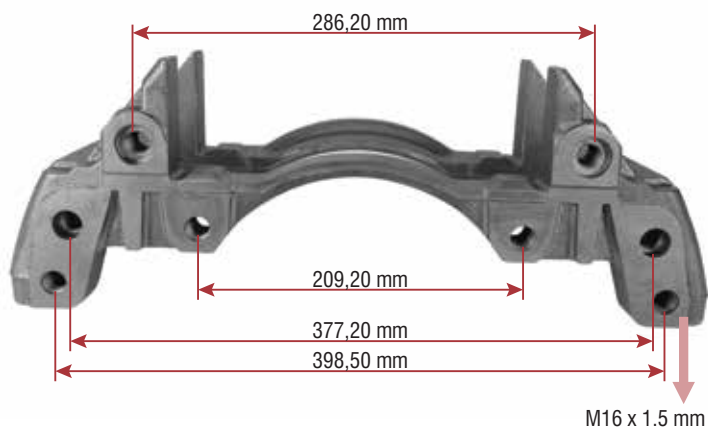


W 02 037

Caliper Carrier (22,50" Front)

**K000026
Z007541**

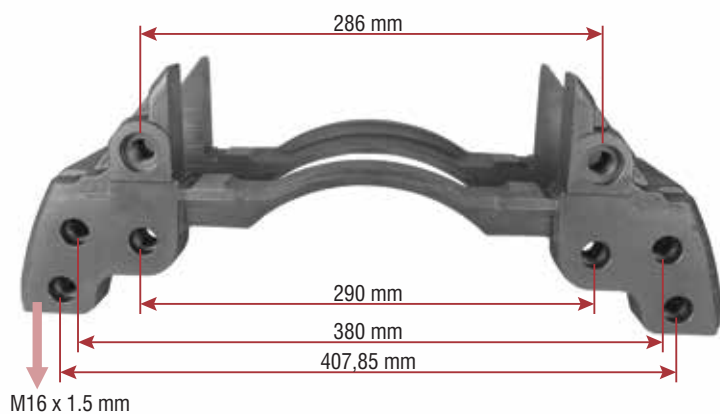
**SB7...
SN7
Radial**



W 01 363 Caliper Carrier (22,50" Left)

K001529

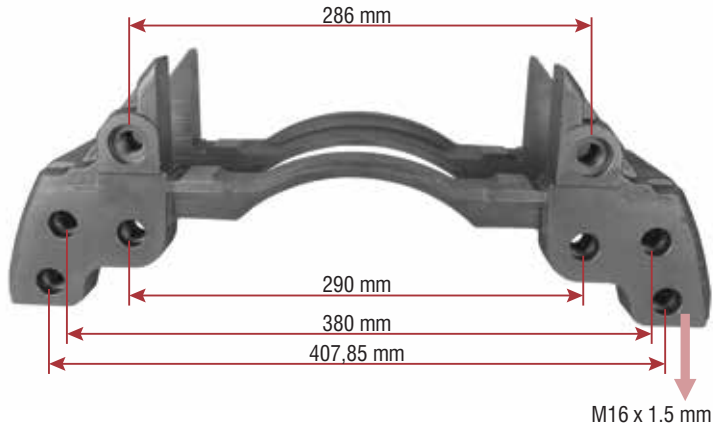
**SB7...
Radial**



W 01 364 Caliper Carrier (Right)

**K001530
0004213806**

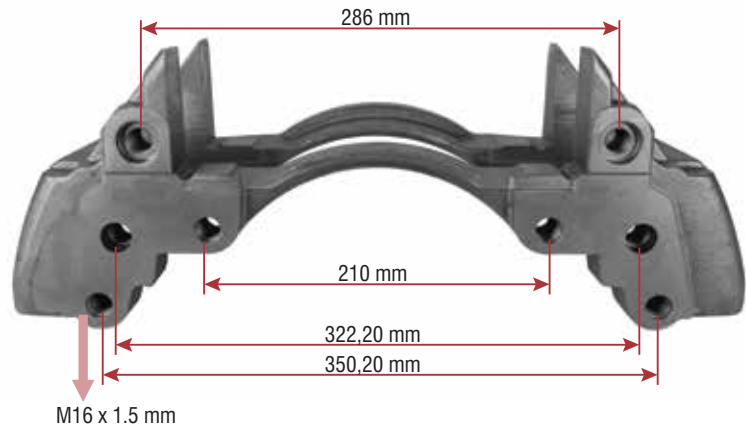
**SB7...
Radial**



W 01 366 Caliper Carrier

**K000027
Z006582**

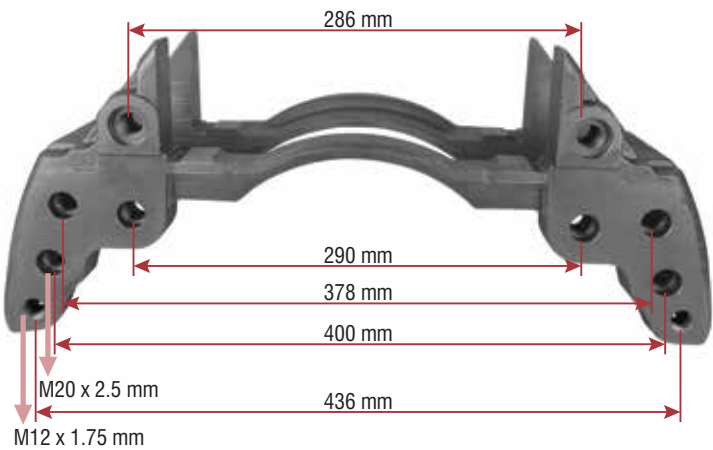
**SB7...
Radial**



W 01 369 Caliper Carrier

**K010765
Z006588**

**SB7...
Radial**





wisGROUP

Impressive CV Spare Parts

**FOR KNORR
SN6/ SN7/ SK7**

www.wisgroup.com.tr

KNORR

SN6
SN7
SK7...

W01386 Caliper Pin Repair Kit**K067417K50****SN6...
SN7...
SK7...****W 01 386/1 Caliper Pin Repair Kit Without Chrome Plated Pins****W 00 084****Caliper Pin Repair Kit****K000472****SN6...
SN7...
SK7...**

W 00 132	Caliper Pin - Ø 36 / 114 mm	1
W 00 129	Caliper Pin - Ø 32 / 80 mm	1
W 00 139	Pin Bolt - M16 x 1.5 / 85 mm	1
W 00 138	Pin Bolt - M16 x 1.5 / 80 mm	1
W 00 154	Bush - Ø 36 x 40 / 82 mm	1
W 01 545	Rubber Bush	1
W 01 546	Plastic Ring	1
W 01 547	Stop Ring - Ø 39 mm	1
W 00 166	Pin Bolt Ring	1
W 00 198	Pin Boot - (Red)	1
W 01 539	Ring - (White)	1
W 00 160	Pin Cap - Ø 40 / 14.5 mm	1
W 01 541	Grease - 5 g	1

W 00 084/1 Caliper Pin Repair Kit Without Chrome Plated Pins

W 01 579

Caliper Cap Set

SN6...
SN7...
SK7...



W 00 088

Caliper Repair Set

K001915
K001925

SN6...
SN7...
SK7...



W 00 088/1 Caliper Pin Repair Kit Without Chrome Plated

W 00 124**Caliper Cap Set**SN6...
SN7...
SK7...

W 00 160	Pin Cap - Ø 40 / 14.5 mm	5
-----------------	--------------------------	---

W 01 385/1 Caliper Pin And Pad Retainer Repair Kit**K003800****SN7...**

W 01 561	Pad Retainer	1
W 01 562	Split Cotter Pin	1
W 01 563	Washer	1
W 01 564	Pin	1
W 00 132	Caliper Pin - Ø 36 / 114 mm	1
W 00 129	Caliper Pin - Ø 32 / 80 mm	1
W 00 139	Pin Bolt - M16 x 1.5 / 85 mm	1
W 00 138	Pin Bolt - M16 x 1.5 / 80 mm	1
W 00 166	Pin Bolt Ring	1
W 01 539	Ring - (White)	1
W 00 160	Pin Cap - Ø 40 / 14.5 mm	1
W 01 560	Adjusting Mechanism Adapter	1
W 01 558	Adjusting Mechanism Cap - (38 mm)	1

W 01 385/1 Caliper Pin And Pad Retainer Repair Kit Without Chrome Plated Pins

W 00 434 Caliper Pin & Pad Retainer Repair Kit

K013007

SK7...



W 00 434/1 Caliper Pin & Pad Retainer Repair Kit Without Chrome Plated Pins

KNORR

SN6...

SN7...

SK7...

W 00 968

Caliper Pin Repair Kit

K000365

SN6...
SN7...



W 00 132	Caliper Pin - Ø 36 / 114 mm	1
W 00 129	Caliper Pin - Ø 32 / 80 mm	1
W 00 130	Caliper Pin - Ø 34 / 80 mm	1
W 00 139	Pin Bolt - M16 x 1.5 / 85 mm	2
W 00 138	Pin Bolt - M16 x 1.5 / 80 mm	1
W 00 154	Bush - Ø 36 x 40 / 82 mm	1
W 00 942	Rubber Bush - Ø 34 x 40 / 50 mm	1
W 01 549	Rubber Bush	1
W 01 546	Plastic Ring	1
W 01 547	Stop Ring - Ø 39 mm	1
W 00 198	Pin Boot - (Red)	1
W 01 539	Ring - (White)	1
W 00 900	Pin Cap - Ø 40 / 11 mm	1
W 00 161	Steel Cap	1
W 01 543	O-ring	1
W 01 541	Grease - 5 g	1

W 00 968/1 Caliper Pin Repair Kit Without Chrome Plated Pins

W 01 586

Caliper Cap Set

SK7...



W 00 899 Pin Cap - Ø 40 / 24.5 mm 5

W 01 134 Caliper Short Pin Repair Kit

SN6...
SN7...
SK7...



W 00 131	Caliper Pin - Ø 36 / 64 mm	1
W 00 809	Pin Bolt - M16 x 1.5 / 70 mm	1
W 00 159	Bush - Ø 36 x 40 / 20 mm	1
W 00 198	Pin Boot - (Red)	1
W 01 539	Ring - (White)	1
W 00 899	Pin Cap - Ø 40 / 24.5 mm	1
W 01 541	Grease - 5 g	1

W 01 134/1 Caliper Short Pin Repair Kit Without Chrome Plated

Pins

W 00 106

Caliper Pin Repair Kit

K004100
K004168
K010766

SN6...
SN7...
SK7...



W 00 132	Caliper Pin - Ø 36 / 114 mm	1
W 00 131	Caliper Pin - Ø 36 / 64 mm	1
W 00 139	Pin Bolt - M16 x 1.5 / 85 mm	1
W 00 809	Pin Bolt - M16 x 1.5 / 70 mm	1
W 00 154	Bush - Ø 36 x 40 / 82 mm	1
W 00 159	Bush - Ø 36 x 40 / 20 mm	1
W 00 198	Pin Boot - (Red)	2
W 01 539	Ring - (White)	2
W 00 899	Pin Cap - Ø 40 / 24.5 mm	1
W 00 160	Pin Cap - Ø 40 / 14.5 mm	1
W 01 541	Grease - 5 g	2

W 00 106/1 Caliper Pin Repair Kit Without Chrome Plated Pins

W 00 945

Caliper Pin Rubber Bush

SN7...



W 00 440

Caliper Pin Repair Kit

K031844K50

SN7...



W 00 440/1 Caliper Pin Repair Kit Without Chrome Plated

W 01 370 Caliper Pin Repair Kit

K052759K50

NA7...



W 01 370/1 Caliper Pin Repair Kit Without Chrome Plated Pins

W 00 749 Caliper Pin & Boot Set

SN6...
SN7...



W 00 749/1 Caliper Pin & Boot Set Without Chrome Plated Tappets

W 00 768 Caliper Pin & Boot Set

SN6...
SN7...



W 00 768/1 Caliper Pin & Boot Set Without Chrome Plated Tappets

W 00 075

Caliper Tappet Set

SN6...
SN7...
SK7...



W 00 075/1 Caliper Tappet Set Without Chrome Plated Tappets

W001TK001 Caliper Tappet & Boot Set

SN6...
SN7...
SK7...



Brake Pad Retainer Repair Kit - Ø 69.3 mm,
Bush - Ø 15 x 17 / 8 mm

W 00 076/1 Caliper Tappet & Boot Set Without Chrome Plated Tappets

W 00 748 Caliper Boots & Piston Repair Kits

SN6...
SN7...
SK7...



W 00 748/1 Caliper Boots & Piston Repair Kits Without Chrome Plated Tappets

W 00 766 Caliper Pin & Boot Set

SN6...
SN7...
SK7...



W 00 766/1 Caliper Pin & Boot Set Without Chrome Plated Tappets

W 01 028 Caliper Pin Repair Kit

SN6...
SN7...
SK7...



W 01 028/1 Caliper Pin Repair Kit Without Chrome Plated

Pins

W 01 396 Caliper Pin Repair Kit

SN6...
SN7...
SK7...



W 01 396/1 Caliper Pin Repair Kit Without Chrome Plated Pins

W 00 441 Caliper Pin Repair Kit

K001925

SN6...
SN7...
SK7...



W 00 441/1 Caliper Pin Repair Kit Without Chrome Plated

W 00 071 Brake Pad Retainer Repair Kit

K000129

SN7...



W 00 437 Caliper Pad Retainer Repair Kit

K000884

SN7...



W 01 123 Brake Pad Retainer Repair Kit

SN7...



W 00 442 Brake Pad Retainer Repair Kit

K002311

SN7...



W 00 969 Brake Pad Retainer Repair Kit

K000133

**SN6...
SK7...**



W 01 383 Brake Pad Retainer Repair Kit

**SN6...
SK7...**



W 01 382 Brake Pad Retainer Repair Kit

**SN6...
SK7...**



W 01 380 Brake Pad Retainer Repair Kit

**SN6...
SK7...**



W 01 391 Caliper Cable Protection Kit

SN6...
SN7...
SK7...



W 00 394 Brake Pad Retainer & Adapter Repair Kit

SN6...
SN7...
SK7...



W 01 377 Caliper Head Sealing Plug Set

SN6...
SN7...
SK7...



W 01 378 Caliper Head Sealing Plug 5

W 00 069 Caliper Sensor Cover - (Without Sensor)

SN6...
SN7...
SK7...



W 00 413 Caliper Sensor Cover - (2 Cable Sensor)

SN6...
SN7...
SK7...



W00 414 Caliper Sensor Cover - (3 Cable Sensor)

SN6...
SN7...
SK7...



W00 415 Caliper Sensor Cover - (MAN Type 3 Cable Sensor)

SN6...
SN7...
SK7...



W 00 420 Caliper Sensor Cover - (Without Sensor)

SN6...
SN7...
SK7...



W 00 421 Caliper Sensor Cover - (2 Cable Sensor)

SN6...
SN7...
SK7...



W 00 422 Caliper Sensor Cover - (3 Cable Sensor)

SN6...
SN7...
SK7...



W 01 375

Caliper Actuator Seal Set

SN6...
SN7...
SK7...



W 01 376 Caliper Actuator Seal - Ø 42,00 mm

W 01 372

Caliper Actuator Seal Set

SN6...
SN7...
SK7...



W 01 373 Caliper Actuator Seal - Ø 45,00 mm

W 00 054

Shaft Housing Assembly

SN6...
SN7...



W 00 046

Shaft Housing Set

SN6...
SN7...



W 00 135 Calibration Bolt - (3 Thread)

SN6...
SN7...
SK7...



W 00 048 Adjusting Mechanism Shaft

SN6...
SN7...
SK7...



W 00 050 Pinion Shaft

SN6...
SN7...
SK7...



W00122

Adjusting Mechanism Cap Set - (38 mm)

K000029

SN6...
SN7...
SK7...



W 00 436

Adjusting Mechanism Cap Set - (35 mm)

K003902

SN6...
SN7...
SK7...
NA7...



W 00 573

Pinion Shaft

**SN6...
SN7...
SK7...**



W 00 575

Pinion Shaft

**SN6...
SN7...
SK7...**



W 00 574

Pinion Shaft

**SN6...
SN7...
SK7...**



W 00 971

Pinion Shaft

**SN6...
SN7...
SK7...**



W00068

Caliper Cover

SN6...
SN7...
SK7...



W 01 580	Caliper Cover	1
W 01 581	Bolt	8

W00585

Caliper Cover

SN6...
SN7...
SK7...



W 01 582	Caliper Cover	1
W 01 581	Bolt	6
W 01 583	Bolt	2

W 00 055

Shaft Housing Assembly

SN7...
SK7...



W 01 138	Caliper Shaft Housing	1
W 01 569	Shaft Housing Spring	1

W 00 047

Shaft Housing Set

SN7...
SK7...



W 01 138	Caliper Shaft Housing	1
W 01 569	Shaft Housing Spring	1
W 00 135	Calibration Bolt - (3 Thread)	2

W 01 570 Caliper Sensor Cover Gear Shaft

SN6...
SN7...
SK7...



W 00 974 Caliper Sensor Cover Gear Shaft Set - (9 mm)

SN6...
SN7...
SK7...



W 01 576 Caliper Sensor Cover Gear Shaft - (9 mm) 5

W 01 575 Caliper Sensor Cover Seal

SN6...
SN7...
SK7...



W 01 379 Plastic Cover Seal Set

SN6...
SN7...
SK7...



W 01 575 Caliper Sensor Cover Seal 5

W 01 565

Caliper Mechanism Gear

SN6...
SN7...
SK7...



W 00 051 Caliper Mechanism Gear Set

SN6...
SN7...
SK7...



W 01 565 Caliper Mechanism Gear

5

W 00 066

Calibration Shaft Chain

SN6...
SN7...
SK7...



W 01 574

Caliper Sensor Cover Gasket

SN6...
SN7...
SK7...



W 00 582 Sliper Sensor Cover Gear Shaft Set

SN6...
SN7...
SK7...



W 01 572 Sensor Cover Gear Shaft Set 5

W 00 587 Sliper Sensor Cover Gear Shaft Set

SN6...
SN7...
SK7...



W 01 570 Sensor Cover Gear Shaft

W 00 064 Roller Bearing Set

SN6...
SN7...
SK7...



W 01 584 Roller Bearing 2

W 00 062 Roller Bearing Set

SN6...
SN7...
SK7...



W 01 578 Roller Bearing 2

W 00 077 Caliper Tappet & Boot Set

SN6...
SN7...
SK7...



W 00 924	Thrust Part With Bellow - (69 mm)	1
W 00 155	Bush - Ø 16a x 18 / 10 mm	1
W 01 541	Grease - 5 g	1

W 00 077/1 Caliper Tappet & Boot Set Without Chrome Plated Tappets

W 00 075 Caliper Tappet Set

SN6...
SN7...
SK7...



W 00 924	Thrust Part With Bellow - (69 mm)	2
W 00 155	Bush - Ø 16 x 18 / 10 mm	2
W 01 541	Grease - 5 g	1

W 00 075/1 Caliper Tappet Set Without Chrome Plated Tappets

W 00 074 Caliper Tappet & Boot Set - (69 mm)

K001300
K010603
K000366

SN6...
SN7...
SK7...
NA7...



W 00 924	Thrust Part With Bellow - (69 mm)	2
W 00 933	Shaft Housing Boot	2
W 00 155	Bush - Ø 16 x 18 / 10 mm	2
W 01 541	Grease - 5 g	1

W 00 074/1 Caliper Tappet & Boot Set - (69 mm) Without Chrome Plated Tappets

W00061

Caliper Lever-Straight Angle 0° Length :113mm)

SN6...



W 01 136

Caliper Repair Set

SN6...



W 01 136/1 Caliper Repair Set Without Chrome Plated Tappets

W00056 Caliper Lever - Straight (Angle 0°)-Length :113mm

SN6...



W 01 131

Caliper Repair Set

SN6...



W 01 131/1 Caliper Repair Set Without Chrome Plated Tappets

W00058 Caliper Lever - Straight (Angle 0°) Length 126 mm

SN7...
SK7...



W 01 132

Caliper Repair Set

SN7...
SK7...



W 01 132/1 Caliper Repair Set Without Chrome Plated Tappets

W 01 051

Caliper Lever

SN7...
SK7...



W 01 137

Caliper Repair Set

SN7...
SK7...



W 01 137/1 Caliper Repair Set Without Chrome Plated Tappets

W00060

Caliper Lever - (Angle 12°) -123mm

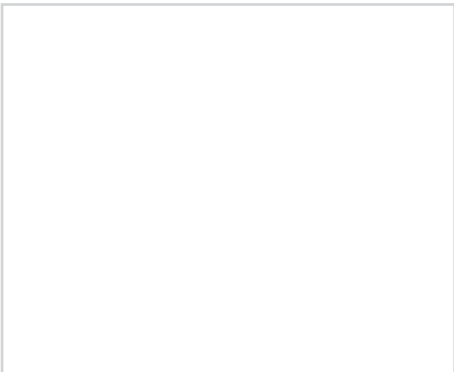
SN7...
SK7...



W 01 133

Caliper Repair Set

SN7...
SK7...



W 01 133/1 Caliper Repair Set Without Chrome Plated Tappets

W00580

Caliper Lever - Straight
Angle 12°-Length:123mm

SK7...



W 01 135

Caliper Repair Set

SK7...



W 01 135/1 Caliper Repair Set Without Chrome Plated Tappets

340 00 520

Brake Disc Pads

SN7...
SK7...



340 00 521

Brake Disc Pads

SN7...
SK7...



W 01 397 Caliper Repair Kit New Model

SN7...
SK7...

KNORR

SB6...
SB7...
SK7...



W 01 397/1 Caliper Repair Kit New Model Without Chrome Plated Pins and Tappets

W 01 351 Caliper Repair Kit Old Model

SN7...
SK7...

SB6...
SB7...
SK7...



W 01 351/1 Caliper Repair Kit Old Model Without Chrome Plated Pins and Tappets

W 02 230

Caliper Repair Set

SN6...
SN7...
SK7...
SCANIA

KNORR

SB6...
SB7...
SK7...



W 02 230/1 Caliper Repair Set Without Chrome Plated Pins and Tappets

W 02 231 Caliper Pin Repair Kit

MB 000 421 6174

SN6...
SN7...
SK7...

SB6...
SB7...
SK7...



W 02 231/1 Caliper Pin Repair Kit Without Chrome Plated Pins

W 01 365 Caliper Repair Kit New Model

SN7...
SK7...

KNORR

SB6...
SB7...
SK7...



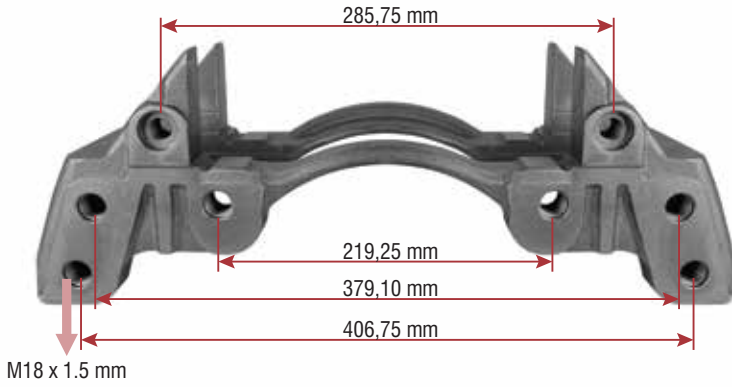
W 01 365/1 Caliper Repair Kit New Model Without Chrome Plated Pins and Tappets

W 01 359

Caliper Carrier

K001278

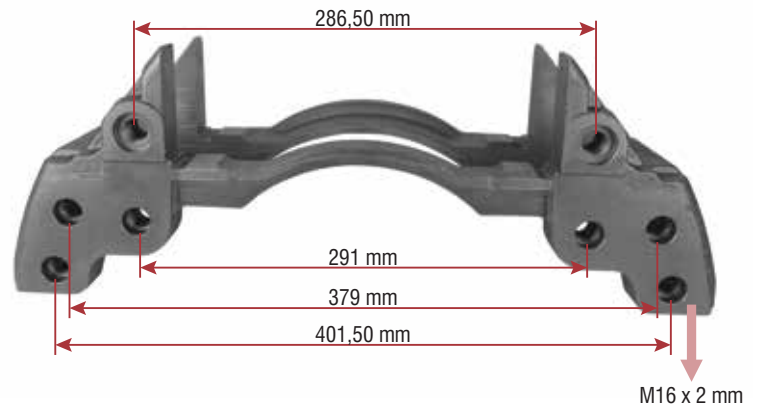
**SN7...
SK7...**



W 01 360

Caliper Carrier

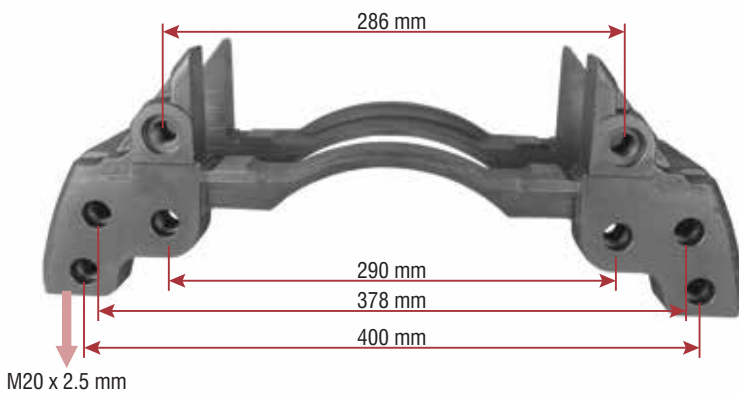
**SN7...
SK7...**



W 01 361

Caliper Carrier

**SN7...
SK7...**

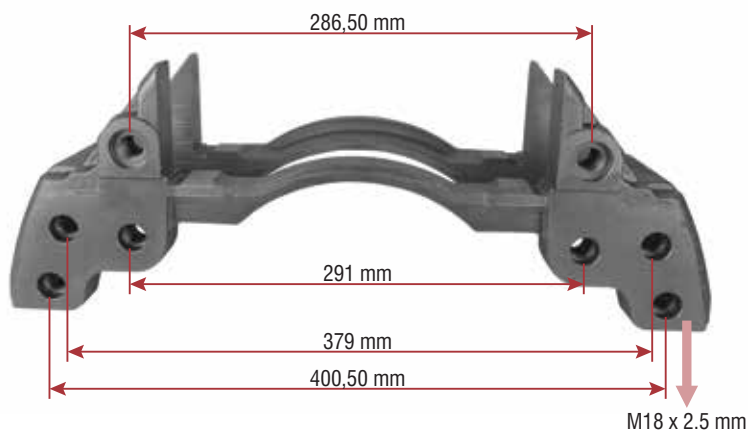


W 01 362

Caliper Carrier

**K001528
K011479
DAF
1689314**

**SN7...
SK7...**

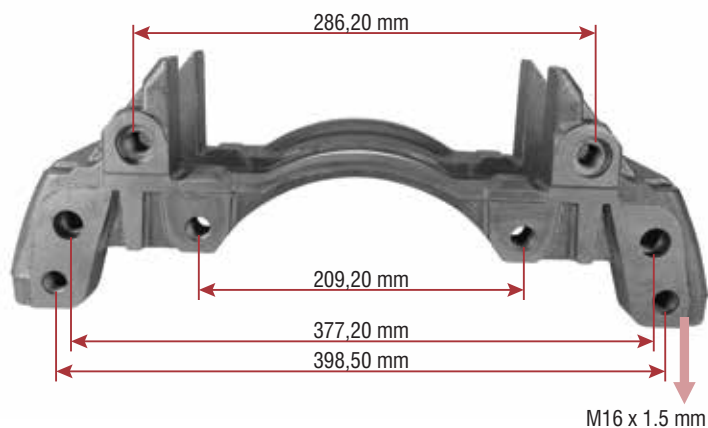


W 02 037

Caliper Carrier (22,50" Front)

**K000026
MB AXOR
000 421 1106**

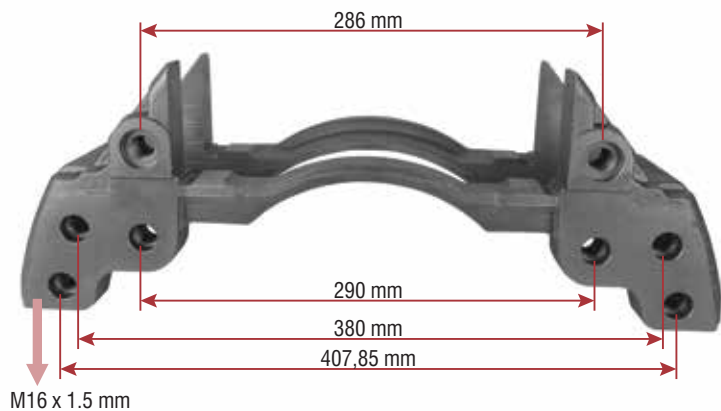
**SN7...
SK7...**



W 01 363 Caliper Carrier (22,50" Left)

**K001529
MB CONNECTO
000 421 3706**

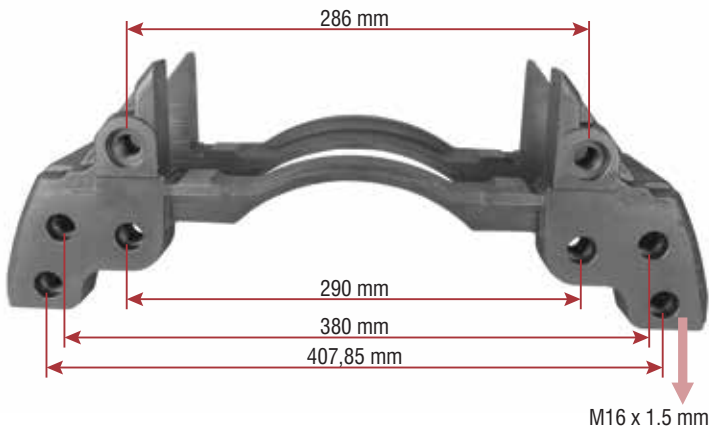
**SN7...
SK7...**



W 01 364 Caliper Carrier (Right)

**K001530
MB CONNECTO
000 421 3806**

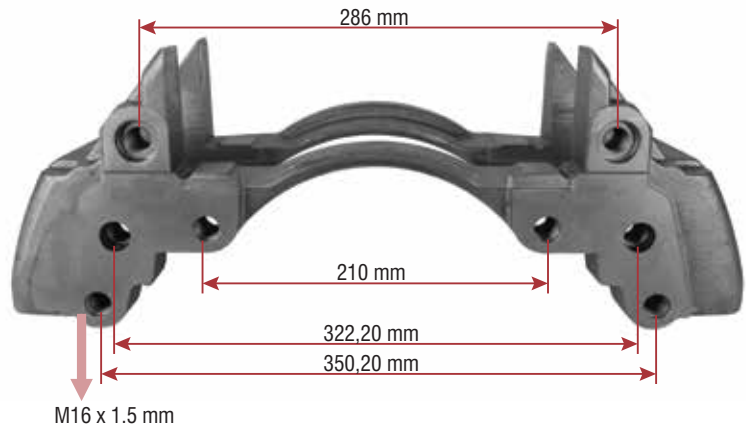
**SN7...
SK7...**



W 01 366 Caliper Carrier

**K000027
MB ACTROS
000 423 0606**

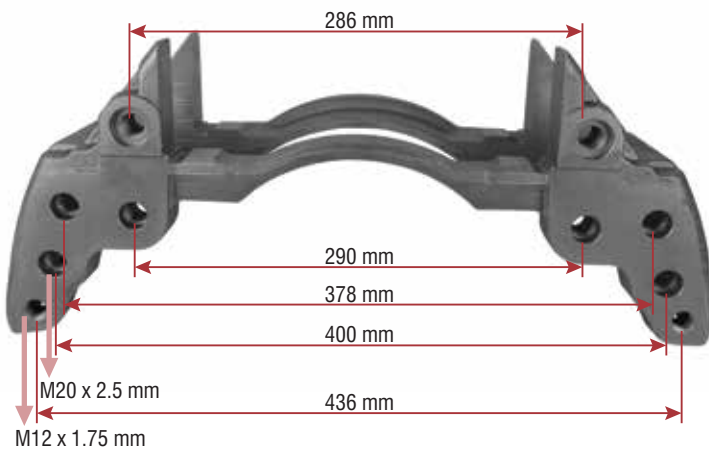
**SN7...
SK7...**



W 01 369 Caliper Carrier

**K010765
SCANIA 4
1756388**

**SN7...
SK7...**

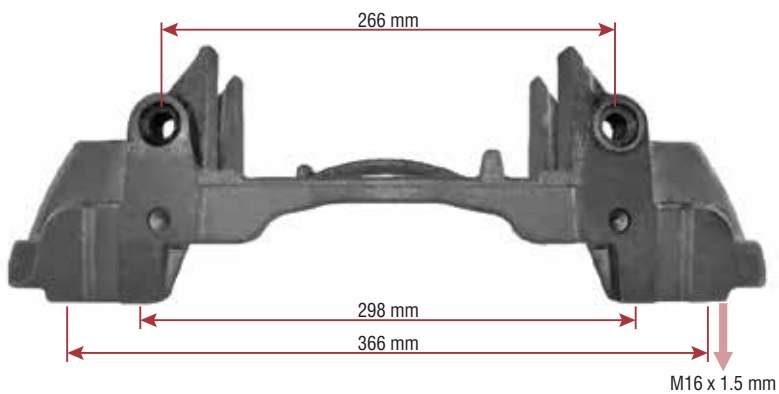


W 01 358

Caliper Carrier

**K012619
BPW
01.303.88.56.0**

**SN7...
SK7...**

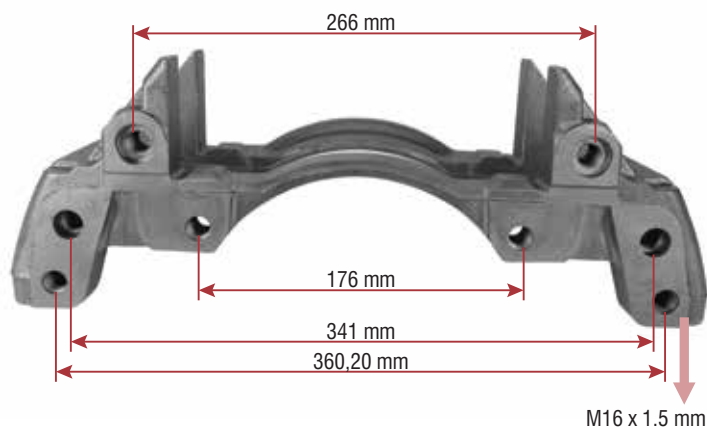


W 01 367

Caliper Carrier

**K001926
MB ATEGO
000 421 3106**

**SN7...
SK7...**

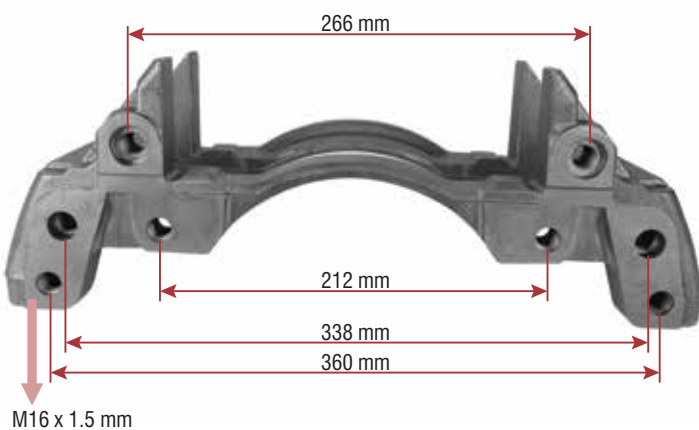


W 01 368

Caliper Carrier

BMC

**SN7...
SK7...**





wisGROUP

Impressive CV Spare Parts

FOR KNORR SL7/SM7

W 00 124

Caliper Cap Set

**SL7...
SM7...**



W 00 160 Pin Cap - Ø 40 / 14.5 mm

5

W 00 088

Caliper Pin Repair Kit

**K001915
K001925
K028451
K048389K50**

**SL7...
SM7...**



W 00 088/1 Caliper Pin Repair Kit Without Chrome Plated Pins

W 01 043

Caliper Pin Repair Kit

K012912

**SL7...
SM7...**



W 01 043/1 Caliper Pin Repair Kit Without Chrome Plated

W 01 377 Caliper Head Sealing Plug SetSL7...
SM7...

W 01 378 Caliper Head Sealing Plug 5

W 01 053**Caliper Plug Set**SL7...
SM7...

W 01 593 Caliper Plug 5

W 01 052**Caliper Plug Set**SL7...
SM7...

W 01 592 Caliper Plug 5

W 01 575 Caliper Sensor Cover SealSL7...
SM7...

W 00 069 Sensor Cover - (Without Sensor)SL7...
SM7...**W 00 413** Sensor Cover - (2 Cable Sensor)SL7...
SM7...**W00 414** Caliper Sensor Cover - (3 Cable Sensor)SL7...
SM7...**W 00415****Caliper Sensor Cover - (MAN Type 3 Cable Sensor)**SL7...
SM7...

W 00 122 Adjusting Mechanism Cap Set - (38 mm)

K000029

SL7...
SM7...**W 00 972****Caliper Köprü Bağlantısı**SL7...
SM7...**W 00 151****Caliper Lever Bearing**SL7...
SM7...**W 01 574** Caliper Sensor Cover GasketSL7...
SM7...

W 01 565**Caliper Mechanism Gear**SL7...
SM7...**W 00 051 Caliper Mechanism Gear Set**SL7...
SM7...

W00 565	Caliper Mechanism Gear	5
---------	------------------------	---

W 01 570 Caliper Sensor Cover Gear ShaftSL7...
SM7...**W 00 587 Caliper Sensor Cover Gear Shaft Set**SL7...
SM7...

W00 974 Caliper Sensor Cover Gear Shaft Set - (9 mm)SL7...
SM7...

W 01 576 Caliper Sensor Cover Gear Shaft - (9 mm) 5

W 00 588 Caliper Sensor Cover Gear Shaft SetSL7...
SM7...

W 01 572 Caliper Sensor Cover Gear Shaft 5

W 00 066 Calibration Shaft ChainSL7...
SM7...**W 00 048 Adjusting Mechanism Shaft**SL7...
SM7...

W 00 573**Pinion Shaft****SL7...
SM7...****W 00 575****Pinion Shaft****SL7...
SM7...****W 00 574****Pinion Shaft****SL7...
SM7...****W 00 971****Pinion Shaft****SL7...
SM7...**

W 01 102

Shaft Housing Set

**SL7...
SM7...**



W 00 055

Shaft Housing

**SL7...
SM7...**



W 00 969 Brake Pad Retainer Repair Kit

SL7...
SM7...



W 00 585

Caliper Cover

SL7...
SM7...



W 01 046

Needle Bearing Set

SL7...
SM7...



W 01 587 Roller Bearing

2

W 01 100

Caliper Tappet & Boot Set

SL7...
SM7...



W 01 100/1 Caliper Tappet & Boot Set Without Chrome Plated Tappets

W 01 042 Caliper Tappet & Boot Set

K046523K50

SL7...
SM7...



W 01 042/1 Caliper Tappet & Boot Set Without Chrome Plated Tappets

W 01 101 Caliper Tappet Set

SL7...
SM7...



W 01 101/1 Caliper Tappet Set Without Chrome Plated Tappets

W 01 144 Caliper Tappet & Boot Set

SL7...
SM7...



W 01 144/1 Caliper Tappet & Boot Set Without Chrome Plated Tappets

W01966

Caliper Lever Angle 12°-122mm

SL7...
SM7...



W 01 054

Caliper Repair Set

SL7...
SM7...



W 01 054/1 Caliper Repair Set Without Chrome Plated Tappets

W 01 045 Caliper Pin Repair Kit

SL7...
SM7...



W 01 045/1 Caliper Pin Repair Kit Without Chrome Plated

W 01 044 Caliper Pin Repair Kit

SL7...
SM7...



W 01 044/1 Caliper Pin Repair Kit Without Chrome Plated Pins

W 02 232

Caliper Repair Set

SL7...
SM7...



W 02 232/1 Caliper Repair Set Without Chrome Plated Pins and Tappets

W 02 233

Caliper Repair Set

MB ACTROS
(New Model) SM7... - Front
MB AXOR
(New Model) SM7... - Front

SL7...
SM7...



W 01 033 Cable With Connector Socket (2,0 m)

SL7...
SM7...



W 01 034 Cable With Connector Socket (3,5 m)

SL7...
SM7...



W 01 035 Cable With Connector Socket (5,0 m)

SL7...
SM7...



W 01 036 Cable With Connector Socket (8,0 m)**SL7...**
SM7...**W01 037** Sensor Cable With Connector Socket (10,0 m)**SL7...**
SM7...**01 038** Sensor Cable With Connector Socket (12,0 m)**SL7...**
SM7...

W 02 234 Caliper Tappet & Boot Set (69 mm)

K046523K50KNORR
MB 000 423 0316

SL7...
SM7...



W 02 234/1 Caliper Pin Repair Kit Without Chrome Plated Tappets



wisGROUP

Impressive CV Spare Parts

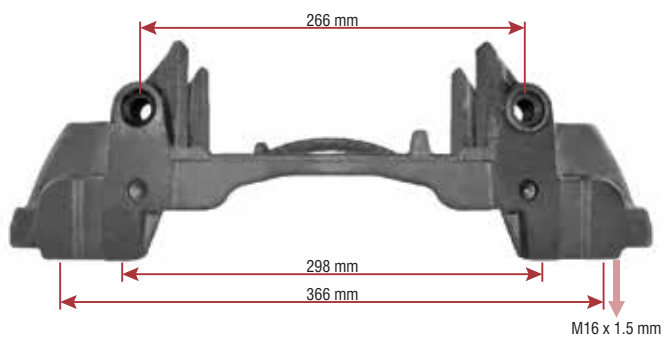
**CARRIERS
FOR KNORR**

W 01 358

Caliper Carrier 22,5"

**K012619
BPW
01.303.88.56.0**

SK7...

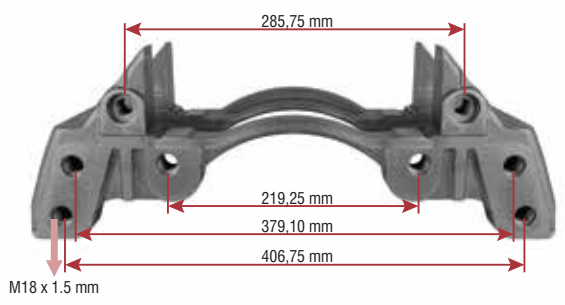


W 01 359

Caliper Carrier 22,5"

**K001278
MAN TGA**

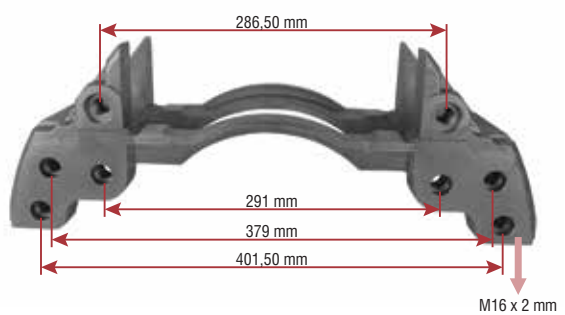
**SB7...
SN7...**



W 01 360

Caliper Carrier 22,5"

**SB7...
SN7...**

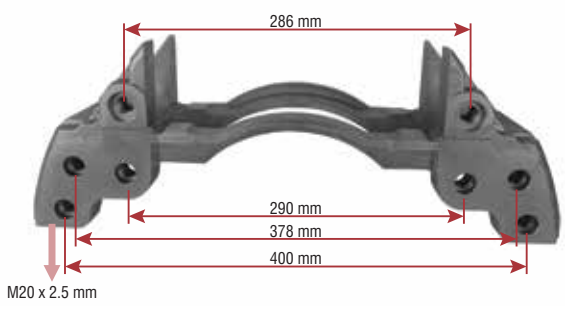


W 01 361

Caliper Carrier 22,5"

DAF / SCANIA

**SB7...
SN7...**

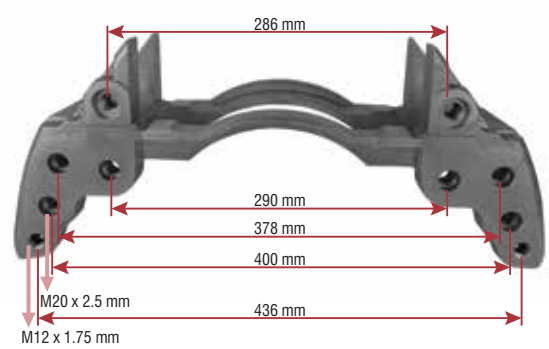


W 01 369

Caliper Carrier 22,5"

**K010765
SCANIA 4
1756388**

**SB7...
SN7...**

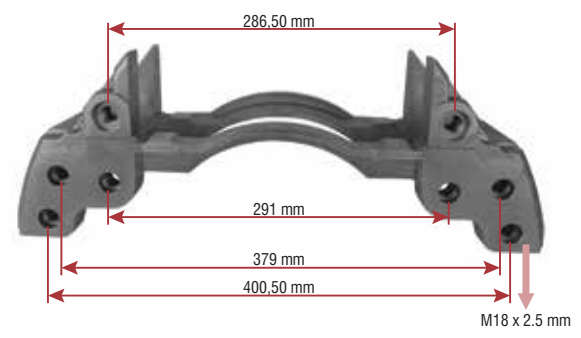


W 01 362

Caliper Carrier 22,5"

**K001528
K011479
DAF
1689314**

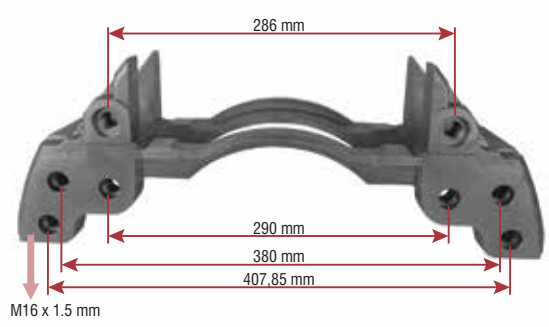
**SB7...
SN7...**



W 01 363 Caliper Carrier 22,5" - Left

**K001529
MB CONNECTO
000 421 3706**

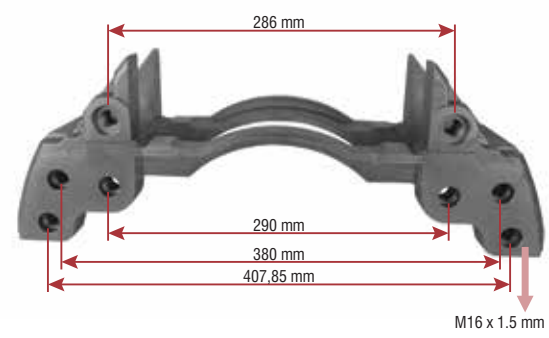
**SB7...
SN7...**



W 01 364 Caliper Carrier 22,5" - Right

**K001530
MB CONNECTO
000 421 3806**

**SB7...
SN7...**

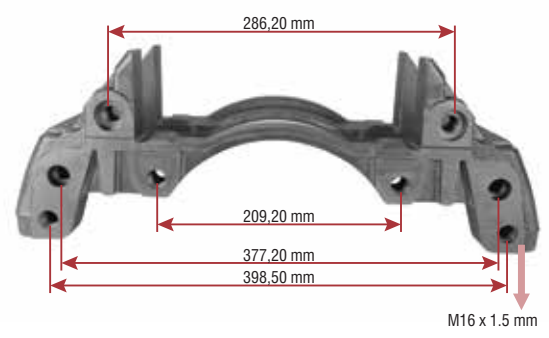


W 02 037

Caliper Carrier 22,5"

**K000026
MB AXOR
000 421 1106**

**SB7...
SN7...**

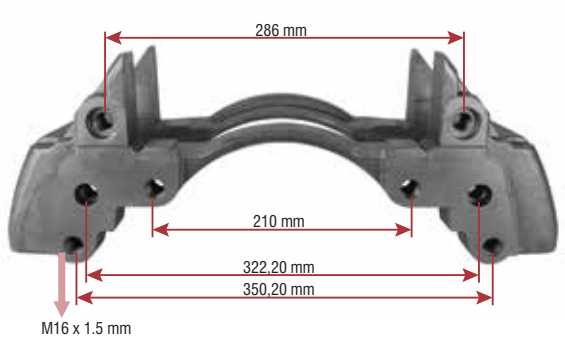


W 01 366

Caliper Carrier 22,5"

**K000027
MB ACTROS
000 423 0606**

**SB7...
SN7...**

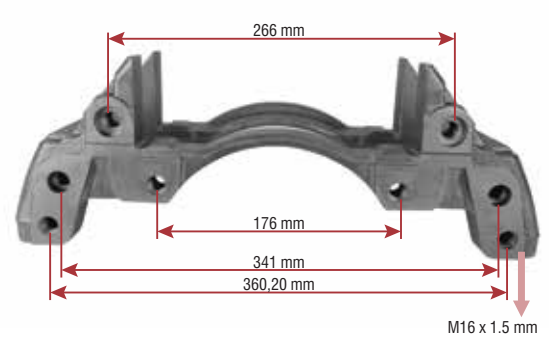


W 01 367

Caliper Carrier 19,5"

**K001926
MB ATEGO
000 421 3106**

SN6...

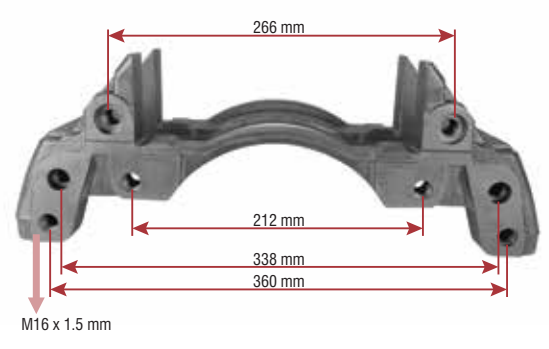


W 01 368

Caliper Carrier 19,5"

BMC

SN6...

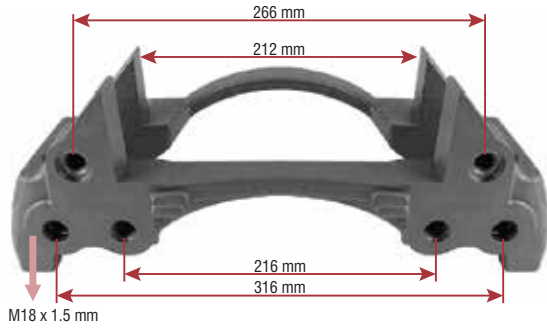


W 02 210

Caliper Carrier 19,5"

Z019053

**SN6...
SAF Trailer Axle**

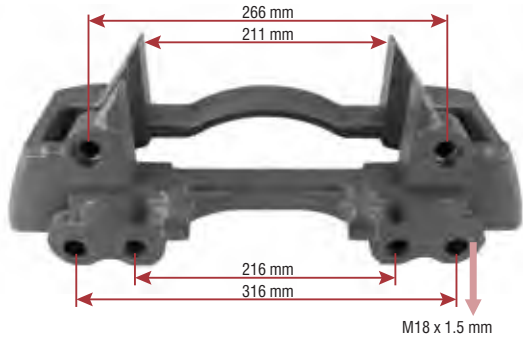


W 02 211

Caliper Carrier 22,5"

**K015308
Z019050**

**SK7...
SAF Trailer Axle**

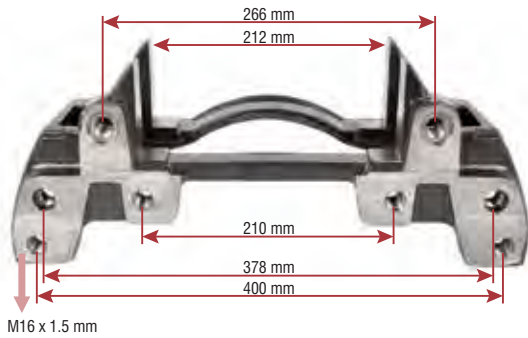


W 02 212

Caliper Carrier 22,5"

**K004099
SCANIA 2121600**

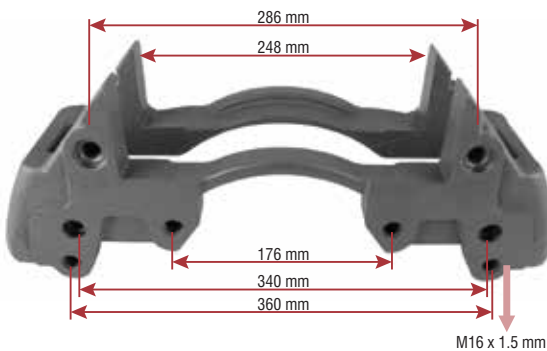
**SK7...
SAF Trailer Axle**



W 02 213

Caliper Carrier 22,5"

**SN7...
MB Trailer Axle**

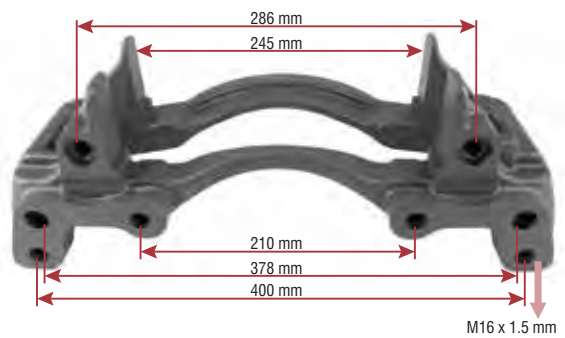


W 02 214

Caliper Carrier 22,5"

Z046338

**SN7...
MERCEDES 4140 Front**

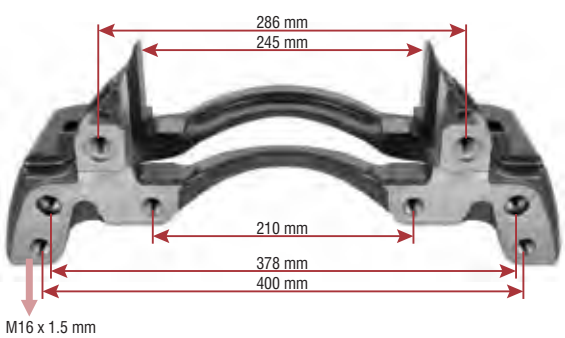


W 02 215

Caliper Carrier 22,5"

**K046498K50
MB 000 421 5706**

**SM7..
MERCEDES 4140 Front**

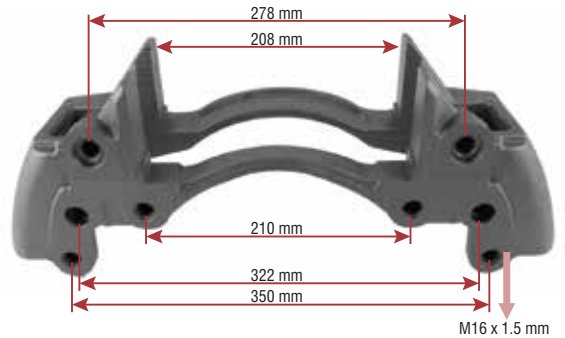


W 02 216

Caliper Carrier 22,5"

**K052379K50
Z025197
MB 000 423 1006**

**SL7..
MERCEDES 4140 Rear**

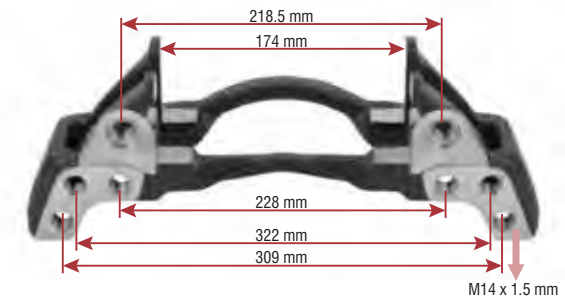


W 02 217

Caliper Carrier 17,5"

**K001927
MB 000 421 3006
SCANIA 2121599**

**SN5..
MERCEDES AXOR
MAN TGL 12.180**

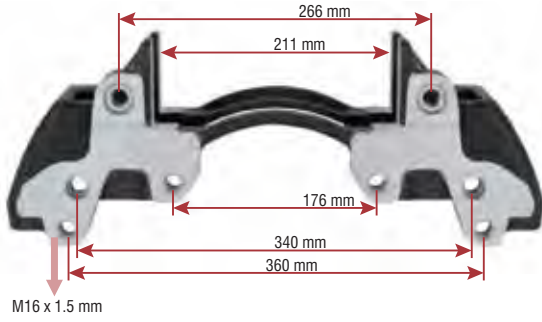


W 02 218

Caliper Carrier 19,5"

Z017557

**SN6...
MERCEDES AXOR**



KNORR

CARRIERS



Impressive CV Spare Parts

**FOR BENDIX
ADB 3700/ 4300**

www.wisgroup.com.tr

KNORR

BENDIX

W 00 537 Caliper Pin Repair Kit

381.391
93161189



W 00 537/1 Caliper Pin Repair Kit Without Chrome Plated

W 00 509 Caliper Boot & Ring Set

381.413
93161192



W 00 538 Brake Adjuster Repair Kit

381.419

410 SIMPLEX



W 02 247 Brake Pad Retainer Bolt Kit

1133692





Impressive CV Spare Parts

FOR MERITOR

W 00 480 Caliper Boot & Bolt Set

MCK1244

Elsa 2



W 00 481 Caliper Repair Kit

MCK1088

Elsa 2



W 00 699 Caliper Actuator Seal Set

Elsa 2



W 00 700 Caliper Dust Cover

10

W 01 259 Caliper Pin Boot & Bolt Set

MCK1087

Elsa 2



W 01 669

Caliper Actuator Seal

Elsa 2



W 01 257

Caliper Tappet Boot Set

68324854PK10

Elsa 2



W 00 357 Tappet Boot

10

W 00 755 Caliper Tappet Dust CoverElsa 2
Elsa 195
Elsa 225**W 00 301****Caliper Tappet Boot Set**

MCK1139

Elsa 2



W 00 357 Tappet Boot

2

W 01 258**Caliper Pin Boot Set**

Elsa 2



W 00 354 Pin Boot

2

W 01 953

Rubber Cap Set

68322655PK10

Elsa 2



W 00 468 Rubber Cap

10

W 01 256

Caliper Pin Bush Set

Elsa 2



W 00 364 Round Bush - Ø 35 X 39 / 30 mm10

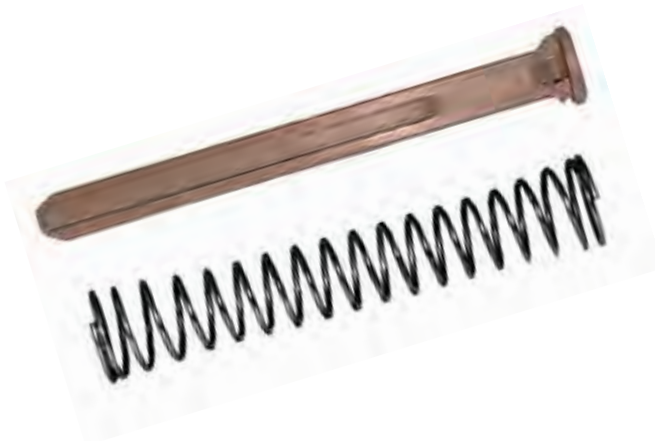
W 00 687

Caliper Tappet & Boot Set

MCK1309

Elsa 2



W 01 169**Caliper Tappet Set****Elsa 2****W 00 487 Caliper Visual Indicator & Screw Set****MCK1240****Elsa 2****W 01 309 Caliper Visual Indicator****Elsa 2**

W 00 675 Caliper Pad Retainer Kit

MCK1174

Elsa 2



MERITOR

Elsa 2

W 00 399 Caliper Guides & Bushes Repair Kit

Elsa 2



W 00 399/1 Caliper Guides & Bushes Repair Kit Without Chrome Plated

W 00 311 Caliper Pin Repair Kit

**MCK1140
MCK1243**

Elsa 2



W 00 311/1 Caliper Pin Repair Kit Without Chrome Plated Pins

W 01 670 Caliper Pin Rubber Bush - Ø 31-32 x 42 / 45 mm

Elsa 2



W 01 159 Caliper Pin Repair Kit

MCK1289

Elsa 2



W 01 159/1 Caliper Pin Repair Kit Without Chrome Plated

W 00 309 Caliper Boot & Pin Repair Kit

Elsa 2



W 00 309/1 Caliper Boot & Pin Repair Kit Without Chrome Plated Pins

W 01 160 Caliper Boot & Pin Repair Kit

Elsa 2



W 01 160/1 Caliper Boot & Pin Repair Kit Without Chrome Plated Pins

W 00 326 Caliper Pin Repair Kit

MCK1086

Elsa 2



W 00 326/1 Caliper Pin Repair Kit Without Chrome Plated

W 01 162 Caliper Boot & Pin Repair Kit

Elsa 2



W 01 162/1 Caliper Boot & Pin Repair Kit Without Chrome Plated Pins

W 00 254 Caliper Adjusting Mechanism

Elsa 2

**W00 686 Caliper Adjusting Mechanism Clutch System Repair Kit**

Elsa 2

**W 01 301 Caliper Mechanism Ring & Boot Repair Kit**

Elsa 2



W 01 959 Caliper Adjusting Mechanism Repair Kit

Elsa 2



W 00 701

Gasket

Elsa 2



W 00 702

Gasket

Elsa 2



W 01302 Caliper Adjusting Mechanism Cap

Elsa 2



W 01 678 Bush for Mechanism Cap

Elsa 2



WIS01260 Caliper Adjusting Mechanism Cap (With Bush)

Elsa 2



W 00 688 Caliper Adjusting Gear Set - 47 mm

Elsa 2



W 02 196 Caliper Adjusting Gear Set - 47 mm

Elsa 2



W 00 694 Caliper Gear Bush & Seal Set

Elsa 2



W 01 170 Caliper Adjusting Mechanism Cap

Elsa 2



W 01 164 Caliper Adjusting Gear Set

Elsa 2

**W 00 756 Caliper Calibration Mechanism Kit**

Elsa 2

**W 01 304 Caliper Adjusting Mechanism Set**

Elsa 2



W 01 171 Caliper Adjusting Mechanism Set

Elsa 2



W 00 282

Caliper Lever

Elsa 2



W 00 292 Caliper Needle Bearing Set

Elsa 2



W 01 684 Half Bearing

2

W 00 697 Caliper Bearing Saddle Set

Elsa 2



W 01 685 Bearing Saddle 2

W 01 683 Caliper Lever Bearing

Elsa 2



W 00 291 Caliper Bearing Set

SJ4112

Elsa 2



W 00 454 Caliper Bearing Set

SJ4098

Elsa 2



W 00 271**Manuel Adjusting Gear - L****Elsa 2****W 00 266****Manuel Adjusting Gear - R****Elsa 2****W 02 127****Caliper Lever****Elsa 2****W 01 688****Caliper Lever Bearing****Elsa 2**

W 01 305 Caliper Complete Repair Set - L

Elsa 2



W 01 305/1 Caliper Complete Repair Set - L Without Chrome Plated

W 01 306 Caliper Complete Repair Set - R

Elsa 2



W 01 306/1 Caliper Complete Repair Set - R Without Chrome Plated Pins

W 01 307 Caliper Complete Repair Set

Elsa 2



W 01 307/1 Caliper Complete Repair Set Without Chrome Plated Pins

W 01 308 Caliper Complete Repair Set

Elsa 2



W 01 308/1 Caliper Complete Repair Set Without Chrome Plated

W 02 251 Caliper Repair Set - Left

Elsa 2



W 02 251/1 Caliper Repair Set - Left Without Chrome Plated

W 02 252 Caliper Repair Set - Right

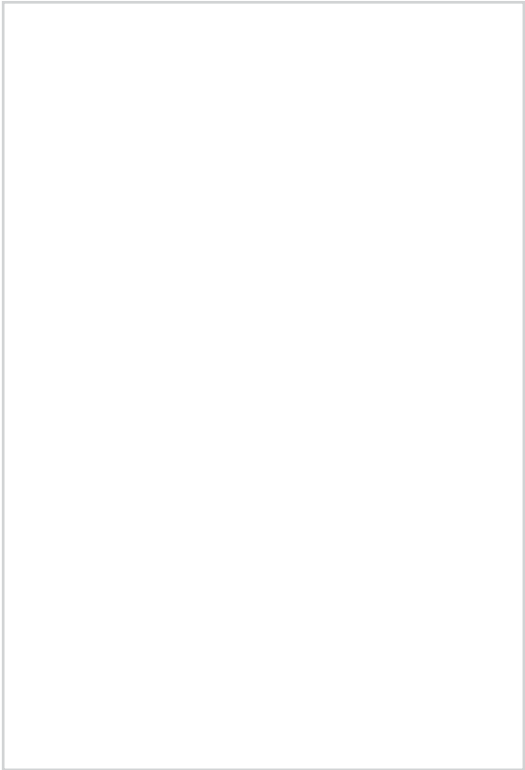
Elsa 2



W 02 252/1 Caliper Repair Set - Right Without Chrome Plated Pins

W 02 254 Caliper Repair Set - Left

Elsa 2



W 02 254/1 Caliper Repair Set - Left Without Chrome Plated Pins

W 02 255 Caliper Repair Set - Right

Elsa 2



W 02 255/1 Caliper Repair Set - Right Without Chrome Plated



Impressive CV Spare Parts

**FOR MERITOR
ELSA 195/ 225**

www.wisgroup.com.tr

W 00 481

Caliper Dust Cover Set

MCK1088

**Elsa 195
Elsa 225**



W 01 257

Caliper Tappet Boot Set

68324854PK10

**Elsa 195
Elsa 225**



W 00 357 Tappet Boot

10

W 00 755

Caliper Tappet Dust Cover

**Elsa 2
Elsa 195
Elsa 225**



W 00 301 Caliper Tappet Boot Set

MCK1139

Elsa 195
Elsa 225

W 00 357 Tappet Boot 2

W 01 258 Caliper Pin Boot SetElsa 195
Elsa 225

W 00 354 Pin Boot 2

W 01 669 Caliper Actuator SealElsa 195
Elsa 225**W 00 698 Caliper Bearing Cap**Elsa 195
Elsa 225

W 00 700

Caliper Dust Cover

6832265PK10

**Elsa 195
Elsa 225**



W 00 699

Caliper Actuator Seal Set

68323746PK10

**Elsa 195
Elsa 225**



W 00 700 Caliper Dust Cover 10

W 01 953

Rubber Cap Set

68322655PK10

**Elsa 195
Elsa 225**



W 00 468 Rubber Cap 10

W 00 687

Caliper Tappet & Boot Set

MCK1309

**Elsa 195
Elsa 225**



W 01 169

Caliper Tappet Set

Elsa 195
Elsa 225



W 00 675

Caliper Pad Retainer Kit

MCK1174

Elsa 195
Elsa 225



W 01 256

Caliper Pin Bush Set

Elsa 195
Elsa 225



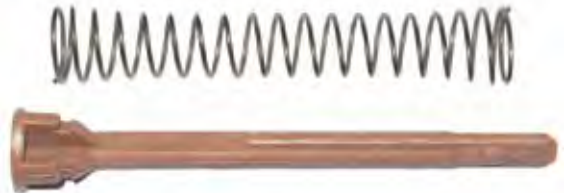
W 00 364 Round Bush - Ø 35 x 39 / 30 mm 10

W 00 485

Caliper Visual Indicator

MCK1311

Elsa 195
Elsa 225



W 00 979 Caliper Visual Pad Wear Assembly

Elsa 195
Elsa 225



W 00 485 Repair Kit, Brake Caliper 2

W 00 310 Caliper Pin Repair Kit

MCK1254

Elsa 195



W 00 310/1 Caliper Pin Repair Kit Without Chrome Plated

W 00 310/2 Caliper Pin Repair Kit

MCK1254

Elsa 195



W 00 310/1 Caliper Pin Repair Kit Without Chrome Plated Pins

W 00 482 Caliper Pin Repair Kit

MCK1298

Elsa 225



W 00 482/1 Caliper Pin Repair Kit Without Chrome Plated

W 01 919 Caliper Boot & Cap Set

MCK1253

Elsa 195



W 00 483 Caliper Bolt Repair Kit

MCK1310

Elsa 225



W 00 976 Caliper Bolt Repair Kit

MCK1317

Elsa 225 RADIAL



W 00 976/1 Caliper Bolt Repair Kit Without Chrome Plated Pins

W 00 254 Caliper Adjusting Mechanism

Elsa 195
Elsa 225



W 00 686

**Caliper Adjusting Mechanism
Clutch System Repair Kit**

Elsa 195
Elsa 225



W 00 484

Caliper Pin Repair Kit

MCK1317

Elsa 225 RADIAL



W 00 484/1 Caliper Pin Repair Kit Without Chrome Plated Pins

W 00 692

Manuel Adjusting Gear

Elsa 195
Elsa 225



W 01 959 Caliper Adjusting Mechanism Repair Kit

Elsa 195
Elsa 225



W 01 310

Manuel Adjusting Gear

Elsa 195



W 00 703

Gasket

Elsa 195
Elsa 225



W 01 678 Bush For Mechanism Cap

Elsa 195
Elsa 225



W 00 691 Caliper Adjusting Mechanism Cap

Elsa 195
Elsa 225



W 01 261 Caliper Adjusting Mechanism Cap (With Bush)

Elsa 195
Elsa 225



W 00 694 Caliper Gear Bush & Seal Set

Elsa 195
Elsa 225



W00264

Brake Lining Calibration Gear (New Model)
49.5 mm

Elsa 195
Elsa 225



W 00 80 1 Caliper Adjusting Mechanism Set

Elsa 195
Elsa 225



W 00 292 Caliper Needle Bearing Set

Elsa 195
Elsa 225



W 01 684 Half Bearing

2

W 00 291

Caliper Bearing Set

SJ4112

**Elsa 195
Elsa 225**



W 01 683

Caliper Lever Bearing

**Elsa 195
Elsa 225**



W 00 697

Caliper Bearing Saddle Set

**Elsa 195
Elsa 225**



W 01 685 Bearing Saddle 2

W 00 985

Caliper Lever

Elsa 195



W 01 262

Caliper Lever

Elsa 195



W 00 706

Caliper Lever

Elsa 195
Elsa 225



W 01 062

Caliper Lever

Elsa 225



W 02 383 Caliper Adjusting Mechanism Cap

Elsa 195
Elsa 225



W 02 384 Caliper Adjusting Mechanism Cap

Elsa 195
Elsa 225



W 02 385 Caliper Pin Repair Kit

Elsa 195
Elsa 225



W 02 388

Caliper Pad Spring Set

Elsa 225



W 02 389 Caliper Sensor Cover Repair Kit

**Elsa 195
Elsa 225**



W 02 390

Caliper Lever

**Elsa 195
Elsa 225**



W 02 391	r Lever	1
W 02 392	r Lever Bearing	2
W 01 682	Bearing	2

W 02 392

Caliper Lever Bearing

**Elsa 195
Elsa 225**



W 00 624

Caliper Bearing Set

Elsa 225



W 01 695

Lever Bearing

Elsa 225



W 01 263 Caliper Complete Repair Set

Elsa 195



W 01 263/1 Caliper Complete Repair Set Without Chrome Plated Pins

W 02 386

Caliper Repair Set

Elsa 195
Elsa 225



W 02 386/1 Caliper Repair Set Without Chrome Plated Pins

W 02 393 Caliper Complete Repair Set

Elsa 195
Elsa 225



W 02 393/1 Caliper Complete Repair Set Without Chrome Plated

W 01 264 Caliper Complete Repair Set

Elsa 195
Elsa 225



W 01 264/1 Caliper Complete Repair Set Without Chrome Plated Pins

W 01 265 Caliper Complete Repair Set

Elsa 225



W 01 265/1 Caliper Complete Repair Set Without Chrome Plated

W 00 486**Pad Wear Indicator****Elsa 2
Elsa 195
Elsa 225****W 00 704 Pad Wear Indicator (Front-Right)****Elsa 2
Elsa 195
Elsa 225****W 00 757 Pad Wear Indicator (Back-Right)****Elsa 2
Elsa 195
Elsa 225****W 00 758 Pad Wear Indicator (Front-Left)****Elsa 2
Elsa 195
Elsa 225**

W 00 759 Pad Wear Indicator (Back-Left)



Elsa 2
Elsa 195
Elsa 225

W 00 705 Pad Wear Indicator (Back-Right)



Elsa 2
Elsa 195
Elsa 225

W 00 760 Pad Wear Indicator (Front-Left)



Elsa 2
Elsa 195
Elsa 225

W 00 761 Pad Wear Indicator (Back-Left)



Elsa 2
Elsa 195
Elsa 225

W 00 762 Pad Wear Indicator (Front-Right)

Elsa 2
Elsa 195
Elsa 225

W 00 980**Pad Wear Indicator (Front)**

Elsa 2
Elsa 195
Elsa 225

**W 00 981****Pad Wear Indicator (Back)**

Elsa 2
Elsa 195
Elsa 225

**W 00 982** Pad Wear Indicator (Left-Right Front)

Elsa 2
Elsa 195
Elsa 225



W 00 983 Pad Wear Indicator (Back-Left)



Elsa 2
Elsa 195
Elsa 225

W 00 984 Pad Wear Indicator (Back-Right)



Elsa 2
Elsa 195
Elsa 225

W 01 017 Pad Wear Indicator



Elsa 2
Elsa 195
Elsa 225

W 01 018 Pad Wear Indicator



Elsa 2
Elsa 195
Elsa 225

W 01 019**Pad Wear Indicator****Elsa 2
Elsa 195
Elsa 225****W 01 020****Pad Wear Indicator****Elsa 2
Elsa 195
Elsa 225****W 01 021****Pad Wear Indicator****Elsa 2
Elsa 195
Elsa 225****W 01 022****Pad Wear Indicator****Elsa 2
Elsa 195
Elsa 225**

W 01 023

Pad Wear Indicator

Elsa 2
Elsa 195
Elsa 225



W 01 024

Pad Wear Indicator

Elsa 2
Elsa 195
Elsa 225



W 01 025

Pad Wear Indicator

Elsa 2
Elsa 195
Elsa 225



W 01 026

Pad Wear Indicator

Elsa 2
Elsa 195
Elsa 225





Impressive CV Spare Parts

FOR MERITOR ELSA 1

www.wisgroup.com.tr

W 00 303

Caliper Tappet Boot Set

ST1156

Elsa 1

W 00 356 Caliper Dust Cover 2



W 01 912

Caliper Pin Boot Set

Elsa 1



W 00 940 Pin Boot 2

W 00 621

Caliper Tappet Cover Kit

Elsa 1



W 01 266 Caliper Boot & Pin Repair Kit

Elsa 1



W 01 266/1 Caliper Boot & Pin Repair Kit Without Chrome Plated Pins

W 00 453 Caliper Pin Repair Kit

MCK1102

Elsa 1



W 00 453/1 Caliper Pin Repair Kit Without Chrome Plated

W 00 314 Caliper Boot & Pin Repair Kit

Elsa 1



W 00 314/1 Caliper Boot & Pin Repair Kit Without Chrome Plated

P'ns

W 01 256

Caliper Pin Bush Set

Elsa 1



W 00 364 Round Bush - Ø 35 x 39 / 30 mm10

W 00 466 Caliper Small Gear Mechanism - L

68322562

Elsa 1



W 00 466 Caliper Small Gear Mechanism - R

68322563

Elsa 1



W 00 296

Locking Shim

68321678

Elsa 1



W 01 267

Caliper Gear Slot Set

Elsa 1



W 01 701 Gear Slot 2

W 00 320

Caliper Pin Repair Kit

MCK1103

Elsa 1

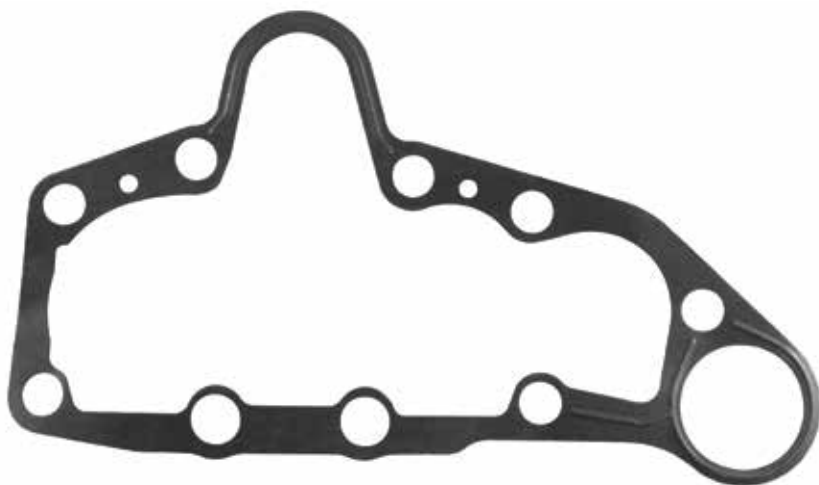


W 00 320/1 Caliper Pin Repair Kit Without Chrome Plated Pins

W 00 638

Caliper Gasket

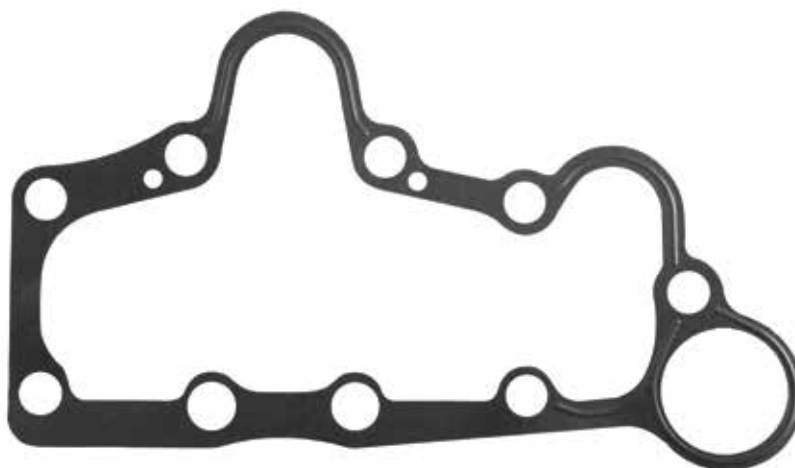
Elsa 1



W 00 637

Caliper Gasket

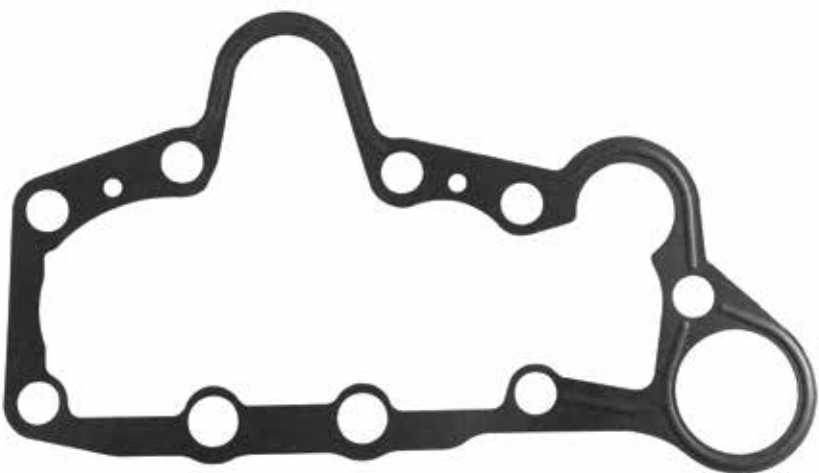
Elsa 1



W 00 639

Caliper Gasket

Elsa 1



W 01 268**Caliper Pad Retainer Kit****MCK1262****Elsa 1****W 01 269****Caliper Bolt Set****Elsa 1**

W 02 131 Caliper Bolt - M14 x 1.5 / 90 mm⁷

W 01 270**Caliper Bolt Set****Elsa 1**

W 00 805 Pin Bolt - M16 x 1.5 / 55 mm 4

W 01 877 Caliper Adjusting Gear Bush 35mm**Elsa 1**

W 00 274 Caliper Adjusting Gear - L 35 mm

Elsa 1



W 00 269 Caliper Adjusting Gear - R 35 mm

Elsa 1



W 00 246 Caliper Adjusting Gear Set - R

Elsa 1



W 00 248 Caliper Adjusting Gear Set - L

Elsa 1



**W 01 060 Caliper Adjusting Mechanism
Tappers Repair Kit 35 mm (Right)**

Elsa 1



**W 01 061 Caliper Adjusting Mechanism
Tappers Repair Kit 35 mm (Left)**

Elsa 1



W 01 878 Caliper Adjusting Gear Bush 37,5mm

Elsa 1



W 00 275 Caliper Adjusting Gear - L 37.5 mm

Elsa 1



W 00 270 Caliper Adjusting Gear - R 37.5 mm

Elsa 1



W 00 249 Caliper Adjusting Gear Set - L

Elsa 1



W 00 247 Caliper Adjusting Gear Set - R

Elsa 1



**W 00 627 Caliper Adjusting Mechanism
Tappers Repair Kit 37.5 mm (Right)**

Elsa 1



**W 00 628 Caliper Adjusting Mechanism
Tappers Repair Kit 37.5 mm (Left)**

Elsa 1



W 00 255 Caliper Adjusting Mechanism

Elsa 1



W 00 286 Adjusting Mechanism Clutch System - L

Elsa 1



W 00 626 Caliper Adjusting Mechanism Clutch System Repair Kit(Left)

Elsa 1



W 00 284 Adjusting Mechanism Clutch System - R

Elsa 1



W 00 625 Caliper Adjusting Mechanism Clutch System Repair Kit(Right)

Elsa 1



W 00 630 Spring Retainer Thrust Set - L

Elsa 1

**W 00 629 Spring Retainer Thrust Set - R**

Elsa 1

**W 01 271 Mechanism Clutch System - L**

Elsa 1

**W 01 272 Adjusting Mechanism Clutch System - R**

Elsa 1



W 00 634

Caliper Lever - L

Elsa 1



W 00 633

Caliper Lever - R

Elsa 1



W 00 291

Caliper Bearing Set

SJ4112

Elsa 1



W 00 292

Caliper Needle Bearing Set

Elsa 1



W 01 684 Half Bearing 2

W 02 266**Caliper Pad Spring Set****MBA108****Elsa 1****W 02 267 Caliper Gear Bush Set - 35 mm****Elsa 1****W 01 877** Caliper Adjusting Gear Bush - 35 mm 2**W 02 268 Caliper Gear Bush Set - 37.5 mm****Elsa 1****W 01 878** Caliper Adjusting Gear Bush - 37.5mm 2

W 02 270 Adjusting Mechanism Clutch System -

Elsa 1 Radial



W 02 272 Adjusting Mechanism Clutch System - R

Elsa 1 Radial



W 02 273 Adjusting Mechanism Kit - L

MCK1211

Elsa 1



W 02 274 Adjusting Mechanism Kit - R

MCK1212

Elsa 1



W 02 275 Adjusting Mechanism Kit - L

MCK1209

Elsa 1



W 02 276 Adjusting Mechanism Kit - R

MCK1210

Elsa 1



W 02 277 Caliper Adjusting Mechanism Caps & Seals Kit

68322300PK10

Elsa 1



W 02 283

Caliper Lever - L

Elsa 1 Radial



W 01 682	Roller Bearing	2
W 02 282	Caliper Lever - L	1

W 02 284 Caliper Complete Repair Set - L

Elsa 1 Radial



W 01 650	Mechanism	1	W 01 702	Intermediate Gear / 35 mm	1
W 00 851	Caliper Pin - Ø 35 / 72 mm	1	W 01 701	Gear Slot	2
W 00 348	Pin Bolt M20 x 1.5 / 150 mm	1	W 00 255	Caliper Adjusting Mechanism	1
W 00 802	Pin Bolt M20 x 1.5 / 90 mm	1	W 01 706	Lever Pin	1
W 00 884	Oval Bush - Ø 35-37 x 40 / 33 mm	1	W 02 126	Bracket	1
W 00 364	Round Bush Ø 35 x 39 / 30 mm	2	W 02 269	Adjusting Mechanism Clutch System - L	1
W 01 696	Ring - Ø 36-37 x 39 / 15 mm - (With Step)	1	W 01 682	Roller Bearing	2
W 01 697	Ring - Ø 37 x 40 / 15 mm - (Without Step)	1	W 02 282	Caliper Lever - L	1
W 01 698	Ring - Ø 37 x 48 / 14 mm	2	W 01 684	Caliper Needle Bearing	2
W 00 371	Pin Cap Ø 45 / 28 mm	2	W 00 296	Locking Shim	1
W 00 940	Pin Boot	2	W 01 704	Spring - L	1
W 00 356	Tappet Boot	2	W 01 705	Spring Retainer	1
W 00 274	Caliper Adjusting Gear 35 mm - L	2	W 01 541	Grease - 5 g	1

W 02 284/1 Caliper Complete Repair Set - L Without Chrome Plated Pins

W 02 280

Caliper Lever - R

Elsa 1 Radial



W 02 285 Caliper Complete Repair Set - R

Elsa 1 Radial



W 01 650	Mechanism	1	W 01 702	Intermediate Gear / 35 mm	1
W 00 851	Caliper Pin - Ø 35 / 72 mm	1	W 01 701	Gear Slot	2
W 00 348	Pin Bolt M20 x 1.5 / 150 mm	1	W 00 255	Caliper Adjusting Mechanism	1
W 00 802	Pin Bolt M20 x 1.5 / 90 mm	1	W 01 706	Lever Pin	1
W 00 884	Oval Bush - Ø 35-37 x 40 / 33 mm	1	W 02 126	Bracket	1
W 00 364	Round Bush Ø 35 x 39 / 30 mm	2	W 02 271	Adjusting Mechanism Clutch System - R	1
W 01 696	Ring - Ø 36-37 x 39 / 15 mm - (With Step)	1	W 01 682	Roller Bearing	2
W 01 697	Ring - Ø 37 x 40 / 15 mm - (Without Step)	1	W 02 281	Caliper Lever - R	1
W 01 698	Ring - Ø 37 x 48 / 14 mm	2	W 01 684	Caliper Needle Bearing	2
W 00 371	Pin Cap Ø 45 / 28 mm	2	W 00 296	Locking Shim	1
W 00 940	Pin Boot	2	W 01 708	Spring - R	1
W 00 356	Tappet Boot	2	W 01 705	Spring Retainer	1
W 00 269	Caliper Adjusting Gear / 35 mm - R	2	W 01 541	Grease - 5 g	1

W 02 285/1 Caliper Complete Repair Set - R Without Chrome Plated Pins

W 01 273 Caliper Complete Repair Set - L

Elsa 1



W 01 273/1 Caliper Complete Repair Set - L Without Chrome Plated Pins

W 01 274 Caliper Complete Repair Set - R

Elsa 1



W 01 274/1 Caliper Complete Repair Set - R Without Chrome Plated



Impressive CV Spare Parts

FOR MERITOR DX 175

www.wisgroup.com.tr

W 00 592

Caliper Boot Repair Kit

DX175



W 01 277

Caliper Pin Repair Kit

DX175



W 01 277 Caliper Pin Repair Kit Without Chrome Plated

W 01 278 Caliper Boot & Pin Bolt Repair Kit

MCK1191

DX175



W 01 280

Caliper Pad Retainer

DX175



W 01 279 Caliper Boot & Bolt Repair Kit

DX175



W 00 596 Caliper Boot & Pin Repair Kit

MCK1170

DX175



W 01 283

Caliper Eccentric Shaft Set

DX175



W 01 282

Caliper Cover Plate Set

DX175



W 01 281 Caliper Shaft & Cover Repair Kit

DX175



W 01 287

Caliper Needle Bearing Set

DX175



W 02 151 Caliper Needle Bearing 2

W 01 286

Caliper Dust Cover Set

DX175



W 02 149 Caliper Dust Cover 5

W 01 285 Caliper Cover Plate Seal Set

DX175



W 02 146 Caliper Cover Plate Seal 5

W 01 284

Caliper Bearing Set

DX175



W 01 288

Caliper Mechanism Central Fork & Pignon

DX175



W 01 289

Caliper Shaft Housing

DX175



W 01 290 Caliper Plate Repair Kit - L

DX175



W 01 291 Caliper Plate Repair Kit - R

DX175



W 01 292 Caliper Piston & Pignon Repair Set - L

DX175



W 01 293 Caliper Piston & Pignon Repair Set - R

DX175



W 01 294 Caliper Shaft Housing & Piston Set - L

DX175



W 01 295 Caliper Shaft Housing & Piston Set - R

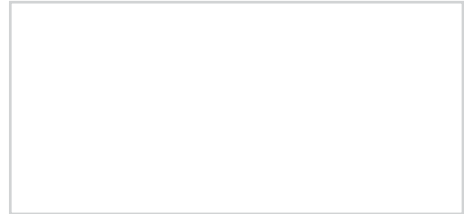
DX175



W 01 296

Caliper Repair Kit- L

DX175



W 01 297

Caliper Repair Kit- R

DX175



W 01 298

Caliper Repair Kit- L

DX175



W 01 299

Caliper Repair Kit- R

DX175



W 01 318 Caliper Mechanism Repair Kit- L

DX175



W 01 319 Caliper Mechanism Repair Kit- R

DX175



W 01 320 Caliper Mechanism Repair Kit- L

DX175



W 01 321 Caliper Mechanism Repair Kit- R

DX175



W 01 322 Caliper Complete Repair Set - L

DX175



MERITOR

DX 175

W 01 322/1 Caliper Complete Repair Set - L Without Chrome Plated Pins

W 01 323 Caliper Complete Repair Set - R

DX175





Impressive CV Spare Parts

FOR MERITOR DX 195

www.wisgroup.com.tr

W 00 590 Caliper Boot & Bolt Repair Kit

DX195



W 00 443 Caliper Boot & Pin Repair Kit

MCK1171

DX195



W 00 443/1 Caliper Boot & Pin Repair Kit Without Chrome Plated

W 00 322 Caliper Guide & Seals Repair Kit

DX195



W 00 322/1 Caliper Guide & Seals Repair Kit Without Chrome Plated Pins

W 00 591 Caliper Boot Repair Kit

DX195



W 01 941 Caliper Pin Repair Kit

DX195



W 01 941/1 Caliper Pin Repair Kit Without Chrome Plated Pins

Pins

W 00 323 Caliper Boot & Pin Bolt Repair Kit

MCK1192

DX195



W 01 056

Caliper Lever

MCK1160

DX195



W 01 324

Caliper Lever

MCK1161

DX195



W 00 300

Caliper Pad Retainer

DX195



W 00 590 Caliper Boot & Bolt Repair Kit

DX195



W 01 325

Caliper Pad Spring Set

MBA100

DX195



W 00 598

Caliper Shaft

DX195



W 01 057 Caliper Shaft & Cover Repair Kit

MCK1294

DX195



W 00 450 Caliper Shaft Fittings Repair Kit

DX195



W 01 314 Caliper Cover Plate Set

DX195



W 00 771 Caliper Shaft & Roller Bearings

DX195



W 01 311 Caliper Eccentric Shaft Set

DX195



W 00 599

Caliper Roller Bearings

DX195



W 00 601

Caliper Bearing Set

MCK1344

DX195



W 01 327 Caliper Cover Plate Seal Set

DX195



W 01 734 Cover Plate Seal

5

W 01 326

Caliper Dust Cover Set

DX195



W 01 712 Dust Cover

5

W 00 600 Caliper Roller Bearings

DX195



W 01 328 Caliper Needle Bearing Set

DX195



W 00 600 Caliper Roller Bearings 2

W00 618 Caliper Mechanism Central Fork & Pignon

DX195



W 00 615**Caliper Shaft Housing****DX195****W 00 605****Caliper Plate Repair Kit - L****DX195****W 00 604** **Caliper Plate Repair Kit - R****DX195**

W 00 617 Caliper Piston & Pignon Repair Set - L

DX195

**W 00 616** Caliper Piston & Pignon Repair Set - R

DX195

**W 00 445** Caliper Shaft Housing & Piston Set - L

DSB6L

DX195

**W 00 444** Caliper Shaft Housing & Piston Set - R

DSB6R

DX195



W 00 452

Caliper Repair Kit - L

DX195



W 00 451

Caliper Repair Kit - R

DX195



W 01 329

Caliper Repair Kit - L

MCK1292

DX195



W 01 330

Caliper Repair Kit - R

MCK1293

DX195



W 00 447 Caliper Mechanism Repair Kit - L

DSB5L

DX195



W 00 446 Caliper Mechanism Repair Kit - R

DSB5R

DX195



W 00 449 Caliper Mechanism Repair Kit - L

MCK1290

DX195



W 00 448 Caliper Mechanism Repair Kit - R

MCK1291

DX195



W 01 315 Caliper Complete Repair Set - L

DX195



MERITOR

DX 195

W 01 315/1 Caliper Complete Repair Set - L Without Chrome Plated Pins

www.wisgroup.com.tr

W 01 316 Caliper Complete Repair Set - R

DX195





wisGROUP

Impressive CV Spare Parts

FOR MERITOR DX 225

www.wisgroup.com.tr

W 00 593 Caliper Boot Repair Kit

DX225



W 00 597 Caliper Guide & Seals Repair Kit

DX225



W 00 597/1 Caliper Guide & Seals Repair Kit Without Chrome Plated

W 01 331 Caliper Boot & Pin Repair Kit

MCK1172

DX225



W 01 331/1 Caliper Boot & Pin Repair Kit Without Chrome Plated Pins

W 01 332 Caliper Pin Repair Kit

DX225



W 01 333 Caliper Boot & Pin Bolt Repair Kit

MCK1193

DX225



W 01 056

Caliper Lever

MCK1160

DX225



W 01 324

Caliper Lever

MCK1161

DX225



W 01 334 Caliper Boot & Bolt Repair Kit

DX225



W 00 975

Caliper Pad Retainer

DX225



WIS NO: W 01 325

Caliper Pad Spring Set

MBA100

DX225



W 01 057 Caliper Shaft & Cover Repair Kit

MCK1294

DX225



W 01 314 Caliper Cover Plate Set

DX225



W 01 311 Caliper Eccentric Shaft Set

DX225



W 00 601 Caliper Bearing Set

MCK1344

DX225



W 01 327 Caliper Cover Plate Seal Set

DX225



W 01 734 Cover Plate Seal	5
---------------------------	---

W 01 326**Caliper Dust Cover Set**

DX225



W 01 712 Dust Cover	5
---------------------	---

W 01 328 Caliper Needle Bearing Set

DX225



W 00 600 Caliper Roller Bearings	2
----------------------------------	---

W 00 618 Caliper Mechanism Central Fork & Pignon

DX225



W 01 335

Caliper Shaft Housing

DX225



W 00 607

Caliper Plate Repair Kit - L

DX225



W 00 606 **Caliper Plate Repair Kit - R**

DX225



W 01 336 Caliper Piston & Pignon Repair Set - L

DX225

**W 01 337** Caliper Piston & Pignon Repair Set - R

DX225

**W 01 338** Caliper Shaft Housing & Piston Set - L

DX225

**W 01 339** Shaft Housing & Piston Set - R

DX225



W 01 340

Caliper Repair Kit - L

DX225



W 01 341

Caliper Repair Kit - R

DX225



W 01 342

Caliper Repair Kit - L

DX225



W 01 342	Shaft Housing	1
W 02 180	L	2
W 01 730	Pignon	2
W 02 179		1
W 01 736	Calibration Bolt - L	2
W 08 810	Bolt - M10 x 1.5 / 20 mm	2
W 02 176	Boot	2
W 02 177	Boot Seal	2
W 02 168	End Plate Cap	1

W 01 343

Caliper Repair Kit - R

DX225



W 01 343	Shaft Housing	1
W 02 181	R	2
W 01 730	Pignon	2
W 02 179		1
W 01 738	Calibration Bolt - R	2
W 08 810	Bolt - M10 x 1.5 / 20 mm	2
W 02 176	Boot	2
W 02 177	Boot Seal	2
W 02 168	End Plate Cap	1

W 01 344 Caliper Mechanism Repair Kit - L

DX225



W 01 345 Caliper Mechanism Repair Kit - R

DX225



W 01 346 Caliper Mechanism Repair Kit - L

DX225

**W 01 347** Caliper Mechanism Repair Kit - R

DX225



W 01 255 Caliper Complete Repair Set - R

DX225



MERITOR

DX 225



Impressive CV Spare Parts

FOR MERITOR DUCO

www.wisgroup.com.tr

W 00 456 Caliper Pin Repair Kit**MCK1134**
SJ4094**B DUCO**
C DUCO
LE DUCO
D DUCO AXIAL

W 00 456/1 Caliper Pin Repair Kit Without Chrome Plated Pins

W 00 324 Caliper Pin Repair Kit**MCK1116****B DUCO**
C DUCO
LE DUCO
D DUCO AXIAL

W 00 324/1 Caliper Pin Repair Kit Without Chrome Plated

Pins

W 00 324/2 Caliper Pin Repair Kit

**B DUCO
C DUCO
LE DUCO
D DUCO AXIAL**



W 00 324/2/1 Caliper Pin Repair Kit Without Chrome Plated Pins

W 00 457 Caliper Pin Repair Kit

MCK1299

**B DUCO
C DUCO
LE DUCO
D DUCO AXIAL**



W 00 457/1 Caliper Pin Repair Kit Without Chrome Plated

W 00 458 Caliper Pin Repair Kit

**B DUCO
C DUCO
LE DUCO
D DUCO AXIAL**



W 00 458/1 Caliper Pin Repair Kit Without Chrome Plated Pins

W 00 318 Caliper Pin Repair Kit

**MCK1065
MCK1066**

**B DUCO
C DUCO
LE DUCO
D DUCO AXIAL
D DUCO RADIAL**



W 00 318/1 Caliper Pin Repair Kit Without Chrome Plated Pins

W 01 258

Caliper Pin Boot Set

**B DUCO
C DUCO
LE DUCO
D DUCO AXIAL
D DUCO RADIAL**



W 00 354 Pin Boot

2

W 01 187

Caliper Pin Boot Ring Set

DUCO ALL MODEL



W 01 743 Pin Boot Ring - Ø 35.5 x 37.5 / 6 mm 10

W 00 660

Caliper Pin Repair Kit

**MCK1135
SJ4107**

D DUCO RADIAL



W 00 660/1 Caliper Pin Repair Kit Without Chrome Plated Pins

W 00 321 Caliper Pin Repair Kit**MCK1118****D DUCO RADIAL**

W 00 321/1 Caliper Pin Repair Kit Without Chrome Plated Pins

W 00 321/2 Caliper Pin Repair Kit**D DUCO RADIAL**

W 00 321/2/1 Caliper Pin Repair Kit Without Chrome Plated Pins

W 01 348**Caliper Boot & Pin Repair Kit****D DUCO RADIAL**

W 00 338	Caliper Pin - Ø 35 / 102 mm	2
W 00 350	Pin Bolt - M20 x 2 / 125 mm	2
W 02 201	Round Bush - Ø 35 x 40 / 77 mm	1
W 00 876	Oval Bush - Ø 35-36 x 39 / 30 mm	2
W 01 740	Ring - Ø 37 x 40 / 11 mm	2
W 00 892	Pin Cap - Ø 40 / 18.5 mm	2
W 00 354	Pin Boot	2
W 00 357	Tappet Boot	2
W 01 541	Grease - 5 g	1

W 01 348/1 Caliper Boot & Pin Repair Kit Without Chrome Plated Pins**W 01 349****Caliper Boot & Pin Repair Kit****D DUCO RADIAL**

W 00 338	Caliper Pin - Ø 35 / 102 mm	2
W 02 201	Round Bush - Ø 35 x 40 / 77 mm	1
W 00 876	Oval Bush - Ø 35-36 x 39 / 30 mm	2
W 00 357	Tappet Boot	2
W 00 354	Pin Boot	2
W 01 541	Grease - 5 g	1

W 01 349/1 Caliper Boot & Pin Repair Kit Without Chrome Plated Pins

W 00 466

Caliper Small Gear Mechanism - L

68322562

DUCO ALL MODEL



W 00 465

Caliper Small Gear Mechanism - R

68322563

DUCO ALL MODEL



W 01 350

Caliper Boot & Bush Repair Kit

D DUCO RADIAL



W 02 201	Round Bush - Ø 35 x 40 / 77 mm	1
W 00 876	Oval Bush - Ø 35-36 x 39 / 30 mm	2
W 00 357	Tappet Boot	2
W 00 354	Pin Boot	2

W 02 049

Actuator Seal Set

68322297PK10

DUCO ALL MODEL



W 01 745 Actuator Seal 10

W 00 468

Actuator Seal Set

68322655PK10

**B DUCO
C DUCO
LE DUCO
D DUCO AXIAL**



W 01 953

Rubber Cap Set

68322655PK10

**B DUCO
C DUCO
LE DUCO
D DUCO AXIAL**



W 00 468 Rubber Cap 10

W 00 676

Rubber Cap

D DUCO RADIAL



W 01 317 Caliper Adjuster Seal & Boot Repair Kit

D DUCO AXIAL
B DUCO
C DUCO
LE DUCO



W 00 468	Caliper Adjuster Dust Boot	1
W 01 740	Ring - Ø 37 x 40 / 11 mm	1
W 01 746	Shaft Seal	1

W 00 464 Caliper Visual Indicator

SJ4111

DUCO ALL MODEL

**W 00 678** Caliper Gasket

C DUCO
LE DUCO

**W 00 473** Caliper Gasket Set

MCK1041

C DUCO
LE DUCO



W 00 468	Rubber Cap	1
W 00 678	Caliper Gasket	1
W 01 745	Actuator Seal	1
W 01 746	Shaft Seal	1

W 00 470

Caliper Gasket

D DUCO AXIAL



W 00 472

Caliper Gasket Set

SJ4105

D DUCO AXIAL



W 00 468	Rubber Cap	1
W 00 470	Caliper Gasket	1
W 01 745	Actuator Seal	1
W 01 746	Shaft Seal	1

W 00 677

Caliper Gasket

D DUCO RADIAL



W 00 471

Caliper Gasket Set

SJ4109

D DUCO RADIAL



W 00 676	Rubber Cap	1
W 00 677	Caliper Gasket	1
W 01 745	Actuator Seal	1
W 01 746	Shaft Seal	1

W 01 257**Caliper Tappet Boot Set****68324854PK10****DUCO ALL MODEL**

W 00 357 Tappet Boot	10
-----------------------------	----

W 00 467**Caliper Tappet Boot Set****68324854PK10****DUCO ALL MODEL**

W 02 032 Caliper Pad Retainer	1
W 02 033 Screw M16X1,25X20	1

W 01 950**Caliper Pad Retainer Kit****MCK1263****B DUCO****W 00 301****Caliper Tappet Boot Set****MCK1139****DUCO ALL MODEL**

W 00 357 Tappet Boot	2
-----------------------------	---

W 00 770

Caliper Tappet Dust Cover



**B DUCO
C DUCO
LE DUCO
D DUCO AXIAL
D DUCO RADIAL**

W 00 354	Pin Boot	2
W 00 357	Tappet Boot	2

W 00 305

Caliper Tappet & Boot Set

MCK1238

DUCO ALL MODEL



W 00 357	Tappet Boot	2
W 01 748	Tappet	2
W 01 749	Clips	2

W 02 101

Intermediate Gear & Spring Set

MCK1129

**C DUCO
LE DUCO**



W 02 184	Caliper Intermediate Gear	1
W 02 185	Spring (Big)	1
W 02 186	Spring (Small)	1

W 00 281

Intermediate Gear & Spring Set

MCK1067

**D DUCO AXIAL
D DUCO RADIAL**



W 01 755	Intermediate Gear	1
W 01 756	Spring (Big)	1
W 01 757	Spring (Small)	1

W 00 674

Caliper Gear & Springs Kit

**D DUCO AXIAL
D DUCO RADIAL**



W 01 758	Intermediate Gear	1
W 01 759	Spring	1
W 01 760	Washer	2

W 01 313

Tappet Anti Rotation Plate

68322485

**C DUCO
LE DUCO**



W 00 297

Tappet Anti Rotation Plate

68322900

**D DUCO AXIAL
D DUCO RADIAL**



W 00 263

Adjusting Mechanism Shaft - L

**MCK1111
SJ4102**

**C DUCO
LE DUCO
D DUCO AXIAL
D DUCO RADIAL**

W 01 744	Adjusting Mechanism	1
W 01 746	Shaft Seal	1



W00262

Adjusting Mechanism Shaft - R

MCK1112
SJ4103

C DUCO
LE DUCO
D DUCO AXIAL
D DUCO RADIAL



W 01 746	Shaft Seal	1
W 01 747	Adjusting Mechanism	1

W 00 460

Adjusting Mechanism Shaft - R / L

MCK1113
SJ4110

C DUCO
LE DUCO
D DUCO AXIAL
D DUCO RADIAL



W 01 744	Adjusting Mechanism	1
W 01 745	Actuator Seal	1
W 01 746	Shaft Seal	1

W 00 461

Adjusting Mechanism Shaft

MCK1050

B DUCO



W 02 189	Caliper Adjusting Mechanism Shaft	1
W 02 190	Caliper Mechanism Bearing - External Tooth	1
W 02 191	Caliper Mechanism Bearing - Flat	1
W 02 192	Mechanism Thrust Bearing	1
W 02 193	Mechanism Thrust Washer	2

W 00 666**Caliper Gear (Left)**

**C DUCO
LE DUCO
D DUCO AXIAL
D DUCO RADIAL**

W 00 667**Caliper Gear (Right)**

**C DUCO
LE DUCO
D DUCO AXIAL
D DUCO RADIAL**

W 00 669**Caliper Bolt (Left)**

**C DUCO
LE DUCO
D DUCO AXIAL
D DUCO RADIAL**

W 00 668**Caliper Bolt (Right)**

**C DUCO
LE DUCO
D DUCO AXIAL
D DUCO RADIAL**

W 00 259

Caliper Adjusting Mechanism Set - L

MCK1236

DUCO ALL MODEL



W 00 357	Tappet Boot	2
W 01 748	Tappet	2
W 01 749	Clips	2
W 01 751	Bush - Ø 45 X 49 / 31 mm	2
W 01 752	Seal	2
W 01 753	Caliper Adjusting Mechanism - L	2

W 00 257

Caliper Adjusting Mechanism Set - R

**MCK1237
MCK1239**

DUCO ALL MODEL



W 00 357	Tappet Boot	2
W 01 748	Tappet	2
W 01 749	Clips	2
W 01 750	Caliper Adjusting Mechanism - R	2
W 01 751	Bush - Ø 45 X 49 / 31 mm	2
W 01 752	Seal	2

W 00 664

**Caliper Adjusting Tappet Repair Kit
Half Set (Left)**

**B DUCO
C DUCO
LE DUCO
D DUCO AXIAL**



W 00 357	Tappet Boot	1
W 01 748	Tappet	1
W 01 749	Clips	1
W 01 751	Bush - Ø 45 X 49 / 31 mm	1
W 01 752	Seal	1
W 01 753	Caliper Adjusting Mechanism - L	1

W 00 665

**Caliper Adjusting Tappet Repair Kit
Half Set (Right)**

**B DUCO
C DUCO
LE DUCO
D DUCO AXIAL**



W 00 357	Tappet Boot	1
W 01 748	Tappet	1
W 01 749	Clips	1
W 01 750	Caliper Adjusting Mechanism - R	1
W 01 751	Bush - Ø 45 X 49 / 31 mm	1
W 01 752	Seal	1

W 02 102

Caliper Lever Set

MCK1048

B DUCO



W 02 187	Caliper Lever	1
W 01 682	Roller Bearing	2
W 01 683	Caliper Lever Bearing	2
W 01 684	Half Bearing	2
W 01 745	Actuator Seal	1

W 00 673

Caliper Lever (Left)

**C DUCO
LE DUCO**



W 01 872

Caliper Lever Set - L

MCK1127

**C DUCO
LE DUCO**

W 00 673	Caliper Lever - L	1
W 01 682	Roller Bearing	2
W 01 683	Caliper Lever Bearing	2
W 01 684	Half Bearing	2
W 01 745	Actuator Seal	1



W 00 672

Caliper Lever (Right)

**C DUCO
LE DUCO**



W 01 873

Caliper Lever Set - R

MCK1128

**C DUCO
LE DUCO**

W 00 672	Caliper Lever - R	1
W 01 682	Roller Bearing	2
W 01 683	Caliper Lever Bearing	2
W 01 684	Half Bearing	2
W 01 745	Actuator Seal	1



W 02 286

Caliper Lever - L

D DUCO AXIAL



W 01 901	Caliper Lever Left	1
W 01 682	Roller Bearing	2
W 01 683	Lever Bearing	2

W 02 287

Caliper Lever - R

D DUCO AXIAL



W 01 900	Caliper Lever Right	1
W 01 682	Roller Bearing	2
W 01 683	Lever Bearing	2

W 02 288

Caliper Lever

D DUCO RADIAL



W 01 754	Caliper Lever	1
W 01 682	Roller Bearing	2
W 01 683	Lever Bearing	2

W 02 289

Caliper Lever

B DUCO



W 02 187	Caliper Lever	1
W 01 682	Roller Bearing	2
W 01 683	Lever Bearing	2

W 01 903

Caliper Lever - L

**C DUCO
LE DUCO**



W 00 673	Caliper Lever - L	1
W 01 682	Roller Bearing	2
W 01 683	Lever Bearing	2

W 01 902

Caliper Lever - R

**C DUCO
LE DUCO**



W 00 672	Caliper Lever - R	1
W 01 682	Roller Bearing	2
W 01 683	Lever Bearing	2

W 02 295

Caliper Pad Spring Set

D DUCO



W 02 296

Caliper Pad Spring Set

C DUCO



W 01 683 Caliper Lever Bearing



**B DUCO
C DUCO
LE DUCO
D DUCO AXIAL**

W00291

Caliper Bearing Set

SJ4112



**B DUCO
C DUCO
LE DUCO
D DUCO AXIAL**

W 00 462

Caliper Lever Set - R

**MCK1399
SJ4097**

D DUCO AXIAL



W 00 463

Caliper Lever Set - L

**MCK1398
SJ4096**

D DUCO AXIAL



W 01 688

Caliper Lever Bearing

D DUCO RADIAL



W 00 454

Caliper Bearing Set

SJ4098

D DUCO RADIAL



W 00 670

Caliper Lever Set

SJ4108

D DUCO RADIAL



W00292 Caliper Needle Bearing Set

DUCO ALL MODEL



W 01 684 Half Bearing

2

W 02 290

Caliper Repair Set - Right

**C DUCO
LE DUCO**



W 02 290/1 Caliper Repair Set - Right Without Chrome Plated Tappets and Pins

W 02 291

Caliper Repair Set - Left

**C DUCO
LE DUCO**

W 01 682	Roller Bearing	2
W 01 683	Lever Bearing	2
W 01 684	Caliper Needle Bearing	2
W 01 746	Shaft Seal	1
W 02 199	Adjusting Mechanism	1
W 00 468	Rubber Cap	1
W 01 745	Actuator Seal	1
W 00 678	Gasket	1
W 00 357	Tappet Boot	2
W 01 749	Clips	2
W 01 748	Tappet	2
W 01 753	Caliper Adjusting Mechanism -L	2
W 01 751	Flanged Bush Ø 45 X 49 / 31 mm	2
W 01 752	Seal	2
W 00 464	Caliper Visual Indicator	1
W 00 354	Pin Boot	2
W 00 338	Caliper Pin Ø 35 / 102 mm	1
W 00 350	Pin Bolt M20 X 2 / 125 mm	1
W 00 876	Oval Bush Ø 35 - 36 X 39 / 30 mm	1
W 01 740	Ring Ø 37 X 40 / 11 mm	2
W 00 892	Pin Cap - Ø 40 / 18.5 mm	2
W 00 842	Caliper Pin Ø 35 / 60 mm	1
W 00 351	Pin Bolt M20 X 2 / 80 mm	1
W 01 541	Grease - 5 g	1
W 02 184	Intermediate Gear	1
W 02 185	Spring (Big)	1
W 02 186	Spring (Small)	1
W 01 313	Tappet Anti Rotation Plate	1
W 01 541	Grease - 5 g	1



W 02 291/1 Caliper Repair Set - Left Without Chrome Plated Tappets and Pins

W 02 292

Caliper Repair Set - Left

D DUCO



W 00 354	Pin Boot	2
W 00 338	Caliper Pin Ø 35 / 102 mm	1
W 00 350	Pin Bolt M20 X 2 / 125 mm	1
W 00 876	Oval Bush Ø 35 - 36 X 39 / 30 mm	1
W 01 740	Ring Ø 37 X 40 / 11 mm	2
W 00 892	Pin Cap - Ø 40 / 18.5 mm	2
W 00 842	Caliper Pin Ø 35 / 60 mm	1
W 00 351	Pin Bolt M20 X 2 / 80 mm	1
W 00 357	Tappet Boot	2
W 01 749	Clips	2
W 01 748	Tappet	2
W 01 753	Caliper Adjusting Mechanism -L	2
W 01 751	Flanged Bush Ø 45 X 49 / 31 mm	2
W 01 752	Seal	2
W 01 684	Caliper Needle Bearing	2
W 01 682	Roller Bearing	2
W 01 683	Lever Bearing	2
W 01 746	Shaft Seal	1
W 02 199	Adjusting Mechanism	1
W 00 468	Rubber Cap	1
W 01 745	Actuator Seal	1
W 00 470	Gasket	1
W 01 755	Intermediate Gear	1
W 01 756	Spring (Big)	1
W 01 757	Spring (Small)	1
W 00 464	Caliper Visual Indicator	1
W 00 297	Tappet Anti Rotation Plate	1
W 01 541	Grease - 5 g	1

W 02 292/1 Cal'per Repa'r Set - Left W'thout Chrome Plated Tappets and P'ns

W 02 293

Caliper Repair Set - Right

D DUCO

W 00 354	Pin Boot	2
W 00 338	Caliper Pin Ø 35 / 102 mm	1
W 00 350	Pin Bolt M20 X 2 / 125 mm	1
W 00 876	Oval Bush Ø 35 - 36 X 39 / 30 mm	1
W 01 740	Ring Ø 37 X 40 / 11 mm	2
W 00 892	Pin Cap - Ø 40 / 18.5 mm	2
W 00 842	Caliper Pin Ø 35 / 60 mm	1
W 00 351	Pin Bolt M20 X 2 / 80 mm	1
W 00 357	Tappet Boot	2
W 01 749	Clips	2
W 01 748	Tappet	2
W 01 751	Flanged Bush Ø 45 X 49 / 31 mm	2
W 01 752	Seal	2
W 01 750	Caliper Adjusting Mechanism -R	2
W 01 684	Caliper Needle Bearing	2
W 01 682	Roller Bearing	2
W 01 683	Lever Bearing	2
W 01 746	Shaft Seal	1
W 01 747	Adusting Mechanism	1
W 00 468	Rubber Cap	1
W 01 745	Actuator Seal	1
W 00 470	Gasket	1
W 01 755	Intermediate Gear	1
W 01 756	Spring (Big)	1
W 01 757	Spring (Small)	1
W 00 464	Caliper Visual Indicator	1
W 00 297	Tappet Anti Rotation Plate	1
W 01 541	Grease - 5 g	1



W 02 293/1 Cal'per Repa'r Set - R'ght W'thout Chrome Plated Tappets and P'ns

W 02 103

Caliper Complete Repair Set

B DUCO



W 00 338	Caliper Pin - Ø 35 / 102 mm	1
W 00 842	Caliper Pin - Ø 35 / 60 mm	1
W 00 350	Pin Bolt - M20 x 2 / 125 mm	1
W 00 351	Pin Bolt - M20 x 2 / 80 mm	1
W 02 201	Round Bush - Ø 35 x 40 / 77 mm	1
W 00 876	Oval Bush - Ø 35-36 x 39 / 30 mm	1
W 01 740	Ring - Ø 37 x 40 / 11 mm	2
W 00 892	Pin Cap - Ø 40 / 18.5 mm	2
W 00 354	Pin Boot	2
W 02 189	Caliper Adjusting Mechanism Shaft	1
W 02 190	Caliper Mechanism Bearing - External Tooth	1
W 02 191	Caliper Mechanism Bearing - Flat	1
W 02 192	Mechanism Thrust Bearing	1
W 02 193	Mechanism Thrust Washer	2
W 00 357	Tappet Boot	2
W 01 749	Clips	2
W 01 748	Tappet	2
W 01 750	Caliper Adjusting Mechanism - R	2
W 01 751	Plastic Bush - Ø 45 x 49 / 31 mm	2
W 01 752	Seal	2
W 02 187	Caliper Lever	1
W 01 682	Roller Bearing	2
W 01 683	Caliper Lever Bearing	2
W 01 684	Half Bearing	2
W 01 745	Actuator Seal	1
W 00 676	Rubber Cap	1
W 00 464	Caliper Visual Indicator	1
W 01 541	Grease - 5 g	1

W 02 103/1 Caliper Complete Repair Set Without Chrome Plated Pins

W 02 108

Caliper Complete Repair Set

D DUCO RADIAL

W 00 338	Caliper Pin - Ø 35 / 102 mm	2
W 00 350	Pin Bolt - M20 x 2 / 125 mm	2
W 02 201	Round Bush - Ø 35 x 40 / 77 mm	1
W 00 876	Oval Bush - Ø 35-36 x 39 / 30 mm	2
W 01 740	Ring - Ø 37 x 40 / 11 mm	2
W 00 892	Pin Cap - Ø 40 / 18.5 mm	2
W 00 354	Pin Boot	2
W 00 466	Caliper Small Gear Mechanism - L	1
W 01 744	Adjusting Mechanism	1
W 01 745	Actuator Seal	1
W 01 746	Shaft Seal	1
W 00 357	Tappet Boot	2
W 01 748	Tappet	2
W 01 749	Clips	2
W 01 750	Caliper Adjusting Mechanism - R	2
W 01 751	Plastic Bush - Ø 45 x 49 / 31 mm	2
W 01 752	Seal	2
W 01 755	Intermediate Gear	1
W 01 756	Spring (Big)	1
W 01 757	Spring (Small)	1
W 00 297	Tappet Anti Rotation Plate	1
W 01 754	Caliper Lever	1
W 01 682	Roller Bearing	2
W 01 688	Caliper Lever Bearing	2
W 01 684	Half Bearing	2
W 00 677	Gasket	1
W 00 676	Rubber Cap	1
W 00 464	Caliper Visual Indicator	1
W 01 541	Grease - 5 g	1



W 02 108/1 Caliper Complete Repair Set Without Chrome Plated Pins

W 02 104

Caliper Complete Repair Set - L

C DUCO / LE DUCO



W 00 338	Caliper Pin - Ø 35 / 102 mm	1
W 00 842	Caliper Pin - Ø 35 / 60 mm	1
W 00 350	Pin Bolt - M20 x 2 / 125 mm	1
W 00 351	Pin Bolt - M20 x 2 / 80 mm	1
W 02 201	Round Bush - Ø 35 x 40 / 77 mm	1
W 00 876	Oval Bush - Ø 35-36 x 39 / 30 mm	1
W 01 740	Ring - Ø 37 x 40 / 11 mm	2
W 00 892	Pin Cap - Ø 40 / 18.5 mm	2
W 00 354	Pin Boot	2
W 02 199	Adjusting Mechanism	1
W 01 746	Shaft Seal	1
W 00 357	Tappet Boot	2
W 01 748	Tappet	2
W 01 749	Clips	2
W 01 753	Caliper Adjusting Mechanism - L	2
W 01 751	Plastic Bush - Ø 45 x 49 / 31 mm	2
W 01 752	Seal	2
W 02 184	Caliper Intermediate Gear	1
W 02 185	Spring (Big)	1
W 02 186	Spring (Small)	1
W 01 313	Tappet Anti Rotation Plate	1
W 00 673	Caliper Lever - L	1
W 01 682	Roller Bearing	2
W 01 683	Caliper Lever Bearing	2
W 01 684	Half Bearing	2
W 01 745	Actuator Seal	1
W 00 678	Gasket	1
W 00 468	Caliper Adjuster Dust Boot	1
W 00 466	Caliper Small Gear Mechanism - L	1
W 00 464	Caliper Visual Indicator	1
W 01 541	Grease - 5 g	1

W 02 104/1 Caliper Complete Repair Set - L Without Chrome Plated Pins

W 02 105

Caliper Complete Repair Set - R

**C DUCO
LE DUCO**

W 00 338	Caliper Pin - Ø 35 / 102 mm	1
W 00 842	Caliper Pin - Ø 35 / 60 mm	1
W 00 350	Pin Bolt - M20 x 2 / 125 mm	1
W 00 351	Pin Bolt - M20 x 2 / 80 mm	1
W 02 201	Round Bush - Ø 35 x 40 / 77 mm	1
W 00 876	Oval Bush - Ø 35-36 x 39 / 30 mm	1
W 01 740	Ring - Ø 37 x 40 / 11 mm	2
W 00 892	Pin Cap - Ø 40 / 18.5 mm	2
W 00 354	Pin Boot	2
W 01 747	Adjusting Mechanism	1
W 01 746	Shaft Seal	1
W 00 357	Tappet Boot	2
W 01 748	Tappet	2
W 01 749	Clips	2
W 01 750	Caliper Adjusting Mechanism - R	2
W 01 751	Plastic Bush - Ø 45 x 49 / 31 mm	2
W 01 752	Seal	2
W 02 184	Caliper Intermediate Gear	1
W 02 185	Spring (Big)	1
W 02 186	Spring (Small)	1
W 01 313	Tappet Anti Rotation Plate	1
W 00 672	Caliper Lever - R	1
W 01 682	Roller Bearing	2
W 01 683	Caliper Lever Bearing	2
W 01 684	Half Bearing	2
W 01 745	Actuator Seal	1
W 00 678	Gasket	1
W 00 468	Caliper Adjuster Dust Boot	1
W 00 465	Caliper Small Gear Mechanism - R	1
W 00 464	Caliper Visual Indicator	1
W 01 541	Grease - 5 g	1



W 02 105/1 Caliper Complete Repair Set - R Without Chrome Plated Pins

W 02 106**Caliper Complete Repair Set - L****D DUCO AXIAL**

W 00 338	Caliper Pin - Ø 35 / 102 mm	1
W 00 842	Caliper Pin - Ø 35 / 60 mm	1
W 00 350	Pin Bolt - M20 x 2 / 125 mm	1
W 00 351	Pin Bolt - M20 x 2 / 80 mm	1
W 02 201	Round Bush - Ø 35 x 40 / 77 mm	1
W 00 876	Oval Bush - Ø 35-36 x 39 / 30 mm	1
W 01 740	Ring - Ø 37 x 40 / 11 mm	2
W 00 892	Pin Cap - Ø 40 / 18.5 mm	2
W 00 354	Pin Boot	2
W 02 199	Adjusting Mechanism	1
W 01 746	Shaft Seal	1
W 00 357	Tappet Boot	2
W 01 748	Tappet	2
W 01 749	Clips	2
W 01 753	Caliper Adjusting Mechanism - L	2
W 01 751	Plastic Bush - Ø 45 x 49 / 31 mm	2
W 01 752	Seal	2
W 01 755	Intermediate Gear	1
W 01 756	Spring (Big)	1
W 01 757	Spring (Small)	1
W 00 297	Tappet Anti Rotation Plate	1
W 01 900	Caliper Lever - R	1
W 01 682	Roller Bearing	2
W 01 683	Caliper Lever Bearing	2
W 01 684	Half Bearing	2
W 01 745	Actuator Seal	1
W 00 470	Gasket	1
W 00 468	Caliper Adjuster Dust Boot	1
W 00 466	Caliper Small Gear Mechanism - L	1
W 00 464	Caliper Visual Indicator	1
W 01 541	Grease - 5 g	1

W 02 106 / 1 Cal'per Complete Repa'r Set - L W'thout Chrome Plated P'ns**W 02 107****Caliper Complete Repair Set - R****D DUCO AXIAL**

W 00 338	Caliper Pin - Ø 35 / 102 mm	1
W 00 842	Caliper Pin - Ø 35 / 60 mm	1
W 00 350	Pin Bolt - M20 x 2 / 125 mm	1
W 00 351	Pin Bolt - M20 x 2 / 80 mm	1
W 02 201	Round Bush - Ø 35 x 40 / 77 mm	1
W 00 876	Oval Bush - Ø 35-36 x 39 / 30 mm	1
W 01 740	Ring - Ø 37 x 40 / 11 mm	2
W 00 892	Pin Cap - Ø 40 / 18.5 mm	2
W 00 354	Pin Boot	2
W 01 747	Adjusting Mechanism	1
W 01 746	Shaft Seal	1
W 00 357	Tappet Boot	2
W 01 749	Clips	2
W 01 748	Tappet	2
W 01 751	Plastic Bush - Ø 45 x 49 / 31 mm	2
W 01 752	Seal	2
W 01 750	Caliper Adjusting Mechanism - R	2
W 01 755	Intermediate Gear	1
W 01 756	Spring (Big)	1
W 01 757	Spring (Small)	1
W 00 297	Tappet Anti Rotation Plate	1
W 01 901	Caliper Lever - L	1
W 01 682	Roller Bearing	2
W 01 683	Caliper Lever Bearing	2
W 01 684	Half Bearing	2
W 01 745	Actuator Seal	1
W 00 470	Gasket	1
W 00 468	Caliper Adjuster Dust Boot	1
W 00 465	Caliper Small Gear Mechanism - R	1
W 00 464	Caliper Visual Indicator	1
W 01 541	Grease - 5 g	1

**W 02 107 / 1 Cal'per Complete Repa'r Set - R W'thout Chrome Plated P'ns**

W 02 294**Caliper Repair Set****D DUCO RADIAL**

W 00 338	Caliper Pin Ø 35 / 102 mm	2
W 00 354	Pin Boot	2
W 00 350	Pin Bolt M20 X 2 / 125 mm	2
W 00 876	Oval Bush Ø 35 - 36 X 39 / 30 mm	2
W 01 739	Round Bush Ø 35 X 40 / 77 mm	1
W 01 740	Ring Ø 37 X 40 / 11 mm	2
W 00 892	Pin Cap - Ø 40 / 18.5 mm	2
W 00 357	Tappet Boot	2
W 01 749	Clips	2
W 01 748	Tappet	2
W 01 751	Flanged Bush Ø 45 X 49 / 31 mm	2
W 01 752	Seal	2
W 01 750	Caliper Adjusting Mechanism -R	2
W 01 684	Caliper Needle Bearing	2
W 01 682	Roller Bearing	2
W 01 683	Lever Bearing	2
W 01 744	Adjusting Mechanism	1
W 00 676	Rubber Cap	1
W 01 746	Shaft Seal	1
W 01 745	Actuator Seal	1
W 00 677	Gasket	1
W 01 755	Intermediate Gear	1
W 01 756	Spring (Big)	1
W 01 757	Spring (Small)	1
W 00 464	Caliper Visual Indicator	1
W 00 297	Tappet Anti Rotation Plate	1
W 01 541	Grease - 5 g	1

W 02 294/1 Caliper Repair Set Without Chrome Plated Tappets and Pins



wisGROUP

Impressive CV Spare Parts

FOR MERITOR LISA

www.wisgroup.com.tr

W 02 109**Caliper Pin Bolt & Cap Repair Kit****SJ4021****D LISA**

W 00 348	Pin Bolt - M20 X 1.5 / 150 mm	1
W 01 253	Pin Bolt - M20 X 1.5 / 100 M	1
W 00 890	Pin Cap - Ø 45 / 14.5 mm	2

**W 00 319****Caliper Pin Repair Kit****MCK1104
SJ4076****D LISA**

W 00 337	Caliper Pin	1
W 00 348	Pin Bolt - M20 X 1.5 / 150 mm	1
W 00 354	Pin Boot	2
W 00 364	Round Bush - Ø 35 X 39 / 30 mm	2
W 00 365	Caliper Pin Bush	1
W 00 368	Caliper Pin Bush	2
W 00 857	Caliper Repair Kits	1
W 00 890	Caliper Pin Cap	2
W 01 253	Pin Bolt - M20 X 1.5 / 100 mm	1
W 01 541	Grease - 5 g	1
W 01 761	Ring - Ø 37 X 47 / 12 mm	2

W 00 319/1 Caliper Pin Repair Kit Without Chrome Plated Pins**W 01 909****Caliper Pin Repair Kit****SJ4052****C LISA**

W 00 353	Caliper Pin Boot	2
W 00 817	Pin Bolt M18 X 1.5 / 95 mm	1
W 00 893	Caliper Pin Cap	1
W 02 001	Caliper Pin Ø 30 / 115 mm	1
W 02 002	Caliper Pin Ø 30 / 75 mm	1
W 02 003	Pin Bolt M18 X 1.5 / 135 mm	1
W 02 004	Oval Bush Ø 31 X 34 / 26 mm	1
W 02 005	Flanged Bush Ø 30 X 34 / 26 mm	2
W 02 006	Pin Cap Ø 42 / 43 mm	1
W 02 007	Caliper Pin Boot Ring Ø 32 X 42 / 12 mm	2
W 01 541	Grease - 5 g	1



W 01 918**Caliper Pin Boot Repair Kit****SJ4077****C LISA
D LISA**

W 00 353	Caliper Dust Cover	2
W 00 354	Pin Boot	2

W 00 478**Caliper Boot & Seal Set****SJ4078S
J4032****C LISA**

W 00 353	Caliper Dust Cover	2
W 00 354	Pin Boot	2
W 00 355	Caliper Dust Cover	1
W 00 941	Caliper Pin Bellow	1
W 01 762	Gasket	1
W 01 763	Adjusting O-Ring	1
W 01 764	Seal - Ø 40 X 57 / 6 mm	1
W 01 765	Seal - Ø 39 X 52 / 5.5 mm	1
W 01 766	Shield - Ø 42 X 61,5 / 6 mm	1

**W 00 477****Caliper Boot & Seal Set****SJ4061****C LISA**

W 00 353	Caliper Dust Cover	2
W 00 355	Caliper Dust Cover	1
W 00 941	Caliper Pin Bellow	1
W 01 762	Gasket	1
W 01 763	Adjusting O-Ring	1
W 01 764	Seal - Ø 40 X 57 / 6 mm	1
W 01 765	Seal - Ø 39 X 52 / 5.5 mm	1
W 01 766	Shield - Ø 42 X 61,5 / 6 mm	1

W 02 110

Caliper Pin Boot Repair Kit

SJ4053

C LISA



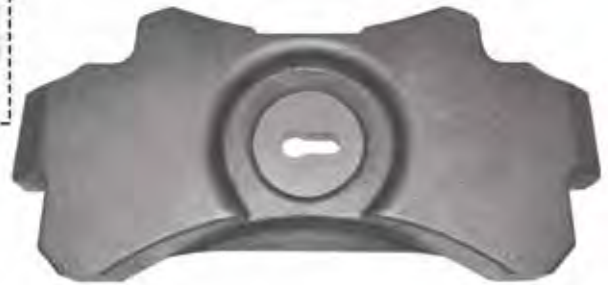
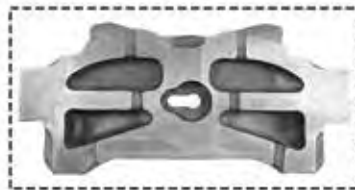
W 00 353 Caliper Pin Boot 2

W 00 398

Caliper Brake Lining Plate

SJ4117

D LISA



W 02 111

Caliper Brake Lining Plate

C LISA



W 02 112

Caliper Lever

**C LISA
D LISA**



W 01 269

Caliper Bolt Set

**C LISA
D LISA**



W 02 131 Caliper Bolt - M14 x 1.5 / 90 mm 7

W 00 258

Caliper Adjusting Mechanism - L

SJ4113

**C LISA
D LISA**



W 00 256

Caliper Adjusting Mechanism - R

SJ4114

**C LISA
D LISA**



W 00 476

Caliper Bearings Set

SJ4031

**C LISA
D LISA**



W 01 541	Grease - 5 g	1
W 01 769	Roller Bearing	1
W 01 770	Thrust Bearing	1
W 01 771	Thrust Washer	1
W 01 772	Bush - Ø 40 X 44 / 15 mm	1
W 01 773	Ring	1

W 02 113

Caliper Ball Bearing Set

**C LISA
D LISA**



W 01 767	Caliper Mechanism Ball Bearing	3
-----------------	--------------------------------	---

W 00 474

Caliper Spline Shaft Mechanism Set - L

**MCK1021
MCK1151**

**C LISA
D LISA**



W 00 679	Caliper Spline Shaft (Left)	1
W 00 681	Caliper Bearing House (Left)	1
W 01 767	Caliper Mechanism Ball Bearing	3
W 01 768	Anti Rotation Pin	1

W 00 475

Caliper Spline Shaft Mechanism Set - R

**MCK1022
MCK1152**

**C LISA
D LISA**



W 00 680	Caliper Spline Shaft (Right)	1
W 00 682	Caliper Bearing House (Right)	1
W 01 767	Caliper Mechanism Ball Bearing	3
W 01 768	Anti Rotation Pin	1

W 00 273**Caliper Adjusting Gear - L****SJ4073****C LISA
D LISA****W 00 268****Caliper Adjusting Gear - R****SJ4074****C LISA
D LISA****W 02 297****Brake Pad Retainer Repair Kit****SJ4022****D LISA****W 02 298****Caliper Pad Spring Set****MBA101****D LISA**

W 01 250

Caliper Complete Repair Set - L

D LISA



W 00 857	Caliper Pin - Ø 35 / 131 mm	1
W 00 337	Caliper Pin - Ø 35 / 79 mm	1
W 00 348	Pin Bolt - M20 x 1.5 / 150 mm	1
W 01 253	Pin Bolt - M20 x 1.5 / 100 M	1
W 00 365	Oval Bush - Ø 35-36 x 39 / 47 mm	1
W 00 364	Round Bush - Ø 35 x 39 / 30 mm	2
W 00 368	Round Bush - Ø 35 x 41 / 30 mm	2
W 01 761	Ring - Ø 37 x 47 / 12 mm	2
W 00 890	Pin Cap - Ø 45 / 14.5 mm	2
W 00 354	Pin Boot	2
W 01 762	Gasket	1
W 00 941	Adjusting Boot	1
W 01 763	Adjusting O-Ring	1
W 01 764	Seal - Ø 40 x 57 / 6 mm	1
W 01 765	Seal - Ø 39 x 52 / 5.5 mm	1
W 01 766	Shield - Ø 42 x 56 / 6 mm	1
W 00 355	Tappet Boot	1
W 00 258	Caliper Adjusting Mechanism - L	1
W 00 273	Caliper Adjusting Gear - L	1
W 00 679	Caliper Spline Shaft (Left)	1
W 00 681	Caliper Bearing House (Left)	1
W 01 767	Caliper Mechanism Ball Bearing	3
W 01 768	Anti Rotation Pin	1
W 01 769	Roller Bearing	1
W 01 770	Thrust Bearing	1
W 01 771	Thrust Washer	1
W 01 772	Bush - Ø 40 x 44 / 15 mm	1
W 01 773	Ring	1
W 00 398	Caliper Brake Lining Plate	1
W 01 541	Grease - 5 g	1

W 01 250/1 Caliper Complete Repair Set - L Without Chrome Plated Pins

W 01 251

Caliper Complete Repair Set - R

D LISA

W 00 857	Caliper Pin - Ø 35 / 131 mm	1
W 00 337	Caliper Pin - Ø 35 / 79 mm	1
W 00 348	Pin Bolt - M20 x 1.5 / 150 mm	1
W 01 253	Pin Bolt - M20 x 1.5 / 100 M	1
W 00 365	Oval Bush - Ø 35-36 x 39 / 47 mm	1
W 00 364	Round Bush - Ø 35 x 39 / 30 mm	2
W 00 368	Round Bush - Ø 35 x 41 / 30 mm	2
W 01 761	Ring - Ø 37 x 47 / 12 mm	2
W 00 890	Pin Cap - Ø 45 / 14.5 mm	2
W 00 354	Pin Boot	2
W 01 762	Gasket	1
W 00 941	Adjusting Boot	1
W 01 763	Adjusting O-Ring	1
W 01 764	Seal - Ø 40 x 57 / 6 mm	1
W 01 765	Seal - Ø 39 x 52 / 5.5 mm	1
W 01 766	Shield - Ø 42 x 56 / 6 mm	1
W 00 355	Tappet Boot	1
W 00 256	Caliper Adjusting Mechanism - R	1
W 00 268	Caliper Adjusting Gear - R	1
W 00 680	Caliper Spline Shaft (Right)	1
W 00 682	Caliper Bearing House (Right)	1
W 01 767	Caliper Mechanism Ball Bearing	3
W 01 768	Anti Rotation Pin	1
W 01 769	Roller Bearing	1
W 01 770	Thrust Bearing	1
W 01 771	Thrust Washer	1
W 01 772	Bush - Ø 40 x 44 / 15 mm	1
W 01 773	Ring	1
W 00 398	Caliper Brake Lining Plate	1
W 01 541	Grease - 5 g	1



W 01 251/1 Caliper Complete Repair Set - R Without Chrome Plated Pins

W 02 114

Caliper Complete Repair Set - L

C LISA



W 02 001	Caliper Pin - Ø30 / 115 mm	1
W 02 002	Caliper Pin - Ø30 / 75 mm	1
W 02 003	Pin Bolt - M18 x 1.5 / 135 mm	1
W 00 817	Pin Bolt - M18 x 1.5 / 95 mm	1
W 02 005	Plastic Bush - Ø 30 x 34 / 26 mm	2
W 02 004	Caliper Pin Oval Bush	1
W 02 007	Ring - Ø32 x 42 / 12 mm	2
W 02 006	Pin Cap - Ø42 / 43 mm	1
W 00 893	Pin Cap - Ø37 / 11 mm	1
W 00 353	Pin Boot	2
W 01 762	Gasket	1
W 00 941	Adjusting Boot	1
W 01 763	Adjusting O-Ring	1
W 01 764	Seal - Ø 40 x 57 / 6 mm	1
W 01 765	Seal - Ø 39 x 52 / 5.5 mm	1
W 01 766	Shield - Ø 42 x 56 / 6 mm	1
W 00 355	Tappet Boot	1
W 00 258	Caliper Adjusting Mechanism - L	1
W 00 273	Caliper Adjusting Gear - L	1
W 00 679	Spline Shaft - L	1
W 00 681	Bearing House - L	1
W 01 767	Ball Bearing	3
W 01 768	Anti Rotation Pin	1
W 01 769	Roller Bearing	1
W 01 770	Thrust Bearing	1
W 01 771	Thrust Washer	1
W 01 772	Bush - Ø 40 x 44 / 15 mm	1
W 01 773	Ring	1
W 02 111	Caliper Brake Lining Plate	1
W 01 541	Grease - 5 g	1

W 02 114/1 Cal'per Complete Repa'r Set - L W'thout Chrome Plated P'ns

W 02 115

Caliper Complete Repair Set - R

C LISA

W 02 001	Caliper Pin - Ø30 / 115 mm	1
W 02 002	Caliper Pin - Ø30 / 75 mm	1
W 02 003	Pin Bolt - M18 x 1.5 / 135 mm	1
W 00 817	Pin Bolt - M18 x 1.5 / 95 mm	1
W 02 005	Plastic Bush - Ø 30 x 34 / 26 mm	2
W 02 004	Caliper Pin Oval Bush	1
W 02 007	Ring - Ø32 x 42 / 12 mm	2
W 02 006	Pin Cap - Ø42 / 43 mm	1
W 00 893	Pin Cap - Ø37 / 11 mm	1
W 00 353	Pin Boot	2
W 01 762	Gasket	1
W 00 941	Adjusting Boot	1
W 01 763	Adjusting O-Ring	1
W 01 764	Seal - Ø 40 x 57 / 6 mm	1
W 01 765	Seal - Ø 39 x 52 / 5.5 mm	1
W 01 766	Shield - Ø 42 x 56 / 6 mm	1
W 00 355	Tappet Boot	1
W 00 256	Caliper Adjusting Mechanism - R	1
W 00 268	Caliper Adjusting Gear - R	1
W 00 680	Spline Shaft - R	1
W 00 682	Bearing House - R	1
W 01 767	Ball Bearing	3
W 01 768	Anti Rotation Pin	1
W 01 769	Roller Bearing	1
W 01 770	Thrust Bearing	1
W 01 771	Thrust Washer	1
W 01 772	Bush - Ø 40 x 44 / 15 mm	1
W 01 773	Ring	1
W 02 111	Caliper Brake Lining Plate	1
W 01 541	Grease - 5 g	1



W 02 115/1 Cal'per Complete Repa'r Set - R W'thout Chrome Plated P'ns



Impressive CV Spare Parts

FOR MERITOR D3

www.wisgroup.com.tr

W 00 295

Caliper Spline Shaft Dust Cover



W 00 330

Caliper Spline Shaft Cover Set

SJ1212



W 00 295	Spline Shaft Dust Cover	1
W 00 818	Bolt - M8 X 1.25 / 40 mm	4
W 01 605	Bolt - M8 X 1.25 / 16 mm	2
W 01 774	Spline Shaft Boot	1

W 00 307

Caliper Pin Repair Kit

**SJ4011
MCK1213**



W 00 334	Caliper Pin - Ø 32 / 117 mm	1
W 00 849	Caliper Pin - Ø 32 / 73 mm	1
W 00 815	Pin Bolt - M18 x 1.5 / 117 mm	1
W 00 817	Pin Bolt - M18 x 1.5 / 92 mm	1
W 00 875	Bush - Ø 32-33 x 36 / 30 mm	1
W 00 362	Bush - Ø 32 x 36 / 40 mm	2
W 00 893	Pin Cap - Ø 34 / 12 mm	2
W 00 294	Dust Cover	2
W 00 939	Pin Boot	2
W 01 541	Grease - 5 g	1

W 00 307/1 Caliper Pin Repair Kit Without Chrome Plated Pins

W 00 641**Caliper Pin Boot Kit**

W 00 939	Caliper Pin Boot	2
-----------------	------------------	---

W 00 648**Caliper Cover & Bolts**

W 00 295	Spline Shaft Dust Cover	1
W 00 818	Bolt - M8 X 1.25 / 40 mm	4
W 01 605	Bolt - M8 X 1.25 / 16 mm	2

W 00 646**Caliper Cover & Boots**

W 00 295	Spline Shaft Dust Cover	1
W 01 774	Spline Shaft Boot	1
W 01 776	Boot Plastic	1
W 01 777	Rubber Cap	1

W 00 276

Caliper Brake Lining Plate



W 00 455

Caliper Guide & Seals Repair Kit



W 00 294	Pin Dust Cover	2
W 00 815	Pin Bolt - M18 X 1.5 / 117 mm	1
W 00 345	Caliper Pin Bolt - M18 X 1,5 / 92 mm	1
W 00 849	Caliper Pin Ø 32 / 74 mm	1
W 00 850	Caliper Pin Ø 33 / 117 mm	1
W 00 875	Caliper Pin Bushing	2
W 00 893	Caliper Pin Cap	2
W 00 939	Caliper Pin Bellow	2
W 01 541	Grease - 5 g	1

W 00 455/1 Cal'per Gu'de & Seals Repa'r K'it W'thout Chrome Plated P'ns

W 00 308

Caliper Pin Repair Kit

SJ4001



W 00 294	Pin Dust Cover	2
W 00 334	Caliper Pin Ø 32 / 117 mm	1
W 00 815	Pin Bolt - M18 X 1.5 / 117 mm	1
W 00 345	Caliper Pin Bolt - M18 X 1,5 / 92 mm	1
W 00 849	Caliper Pin Ø 32 / 74 mm	1
W 00 893	Caliper Pin Cap	2
W 00 939	Caliper Pin Bellow	2
W 01 541	Grease - 5 g	1

W 00 308/1 Cal'per P'n Repa'r K'it W'thout Chrome Plated P'ns

W 02 124**Caliper Spline Shaft Seal& Circlip Set**

W 01 778	Seal	10
W 01 779	Circlip	10

W 02 117**Caliper Seal Set**

W 01 778	Seal	10
----------	------	----

W 02 118**Caliper Circlip Set**

W 01 779	Clips	10
----------	-------	----

W 02 119**Caliper Calibration Ring Set**

W 02 195	Calibration Ring	10
----------	------------------	----

W 00 647**Caliper Seal & Bush Set**

W 00 650	Bush - Ø 50 X 55 / 20 mm	1
W 01 776	Boot Plastic	1
W 01 778	Seal	1
W 01 779	Clips	1

W 01 785**Caliper Adjusting Gear Spring****W 01 270****Caliper Bolt Set**

W 00 805	Pin Bolt - M16 x 1.5 / 55 mm	4
-----------------	------------------------------	---

W 00 272**Caliper Adjusting Gear - L**

W 00 267

Caliper Adjusting Gear - R



W 00 289

Thrust Bearing



W 00 389

Wavy Washer



W 00 290

Ball Bearing



W 00 287**Bearing House - L****W 00 285****Bearing House - R****W 00 644****Spline Shaft / Front - L - (48 Teeth)****FRONT****W 00 645****Spline Shaft / Front - R - (48 Teeth)****FRONT**

W 00 278

Spline Shaft / Front - L - (26 Teeth)

FRONT



W 00 277

Spline Shaft / Front - R - (26 Teeth)

FRONT



W 00 280

Spline Shaft / Rear - L

REAR



W 00 279

Spline Shaft / Rear - R

REAR



W 00 251**Caliper Repair Set / Front - L****FRONT**

W 01 605	Bolt - M8 x 1.25 / 16 mm	2	W 00 649	Adjusting Gear (Small)	1
W 00 818	Bolt - M8 x 1.25 / 40 mm	4	W 01 784	Torsion Spring (Small) - L	1
W 00 295	Caliper Cover	1	W 00 651	Adjuster Bolt - M10 x 1.5 / 50 mm	1
W 01 774	Spline Shaft Boot	1	W 01 790	Wavy Washer	1
W 00 644	Spline Shaft / Front - L - (48 Teeth)	1	W 01 777	Rubber Cap	1
W 00 287	Bearing House - L	1	W 00 650	Bush - Ø 50 x 55 / 20 mm	1
W 00 272	Caliper Adjusting Gear - L	1	W 01 776	Boot Plastic	1
W 01 782	Torsion Spring Bearing	1	W 00 290	Ball Bearing	1
W 01 783	Torsion Spring (Big) - L	1	W 00 289	Thrust Bearing	1
W 01 786	Washer	4	W 00 389	Wavy Washer	1
W 01 787	Washer	3			

W 00 250**Caliper Repair Set / Front - R****FRONT**

W 01 605	Bolt - M8 x 1.25 / 16 mm	2	W 00 649	Adjusting Gear (Small)	1
W 00 818	Bolt - M8 x 1.25 / 40 mm	4	W 01 789	Torsion Spring (Small) - R	1
W 00 295	Caliper Cover	1	W 00 651	Adjuster Bolt - M10 x 1.5 / 50 mm	1
W 01 774	Spline Shaft Boot	1	W 01 790	Wavy Washer	1
W 00 645	Spline Shaft / Front - R - (48 Teeth)	1	W 01 777	Rubber Cap	1
W 00 285	Bearing House - R	1	W 00 650	Bush - Ø 50 x 55 / 20 mm	1
W 00 267	Caliper Adjusting Gear - R	1	W 01 776	Boot Plastic	1
W 01 782	Torsion Spring Bearing	1	W 00 290	Ball Bearing	1
W 01 788	Torsion Spring (Big) - R	1	W 00 289	Thrust Bearing	1
W 01 786	Washer	4	W 00 389	Wavy Washer	1
W 01 787	Washer	3			

W 02 120**Clutch System (Big) - L**

W 01 782	Torsion Spring Bearing	1
W 01 783	Torsion Spring (Big) - L	1
W 01 786	Washer	4
W 01 787	Washer	3

W 00 652**Caliper Spring Set (Left)**

W 01 783	Torsion Spring (Big) - L	1
W 01 784	Torsion Spring (Small) - L	1

W 00 654**Clutch System Repair Kit (Left)**

W 00 650	Bush - Ø 50 X 55 / 20 mm	1
W 01 782	Torsion Spring Bearing	1
W 01 783	Torsion Spring (Big) - L	1
W 01 784	Torsion Spring (Small) - L	1
W 01 785	Caliper Adjusting Gear Spring	1
W 01 786	Washer	4
W 01 787	Washer	3

W 02 121

Clutch System (Big) - R



W 01 782	Torsion Spring Bearing	1
W 01 788	Torsion Spring (Big) - R	1
W 01 786	Washer	4
W 01 787	Washer	3

W 00 653

Caliper Spring Set (Right)



W 01 788	Torsion Spring (Big) - R	1
W 01 789	Torsion Spring (Small) - R	1

W 00 655

Clutch System Repair Kit (Right)



W 00 650	Bush - Ø 50 X 55 / 20 mm	1
W 01 782	Torsion Spring Bearing	1
W 01 785	Caliper Adjusting Gear Spring	1
W 01 786	Washer	4
W 01 787	Washer	3
W 01 788	Torsion Spring (Big) - R	1
W 01 789	Torsion Spring (Small) - R	1

W 00 642**Caliper Repair Set / Front - L****FRONT**

W 00 295	Spline Shaft Dust Cover	1	W 00 649	Adjusting Gear (Small)	1
W 01 774	Spline Shaft Boot	1	W 01 789	Torsion Spring (Small) - L	1
W 00 818	Bolt - M8 x 1.25 / 40 mm	4	W 00 651	Adjuster Bolt - M10 x 1.5 / 50 mm	1
W 01 605	Bolt - M8 x 1.25 / 16 mm	2	W 01 790	Wavy Washer	1
W 00 278	Spline Shaft / Front - L - (26 Teeth)	1	W 01 777	Rubber Cap	1
W 00 287	Bearing House - L	1	W 00 650	Bush - Ø 50 x 55 / 20 mm	1
W 00 272	Caliper Adjusting Gear - L	1	W 01 776	Boot Plastic	1
W 01 782	Torsion Spring Bearing	1	W 00 290	Ball Bearing	1
W 01 784	Torsion Spring (Big) - L	1	W 00 289	Thrust Bearing	1
W 01 786	Washer	4	W 00 389	Wavy Washer	1
W 01 787	Washer	3			

W 00 643**Caliper Repair Set / Front - R****FRONT**

W 00 295	Spline Shaft Dust Cover	1	W 00 649	Adjusting Gear (Small)	1
W 01 774	Spline Shaft Boot	1	W 01 783	Torsion Spring (Small) - R	1
W 00 818	Bolt - M8 x 1.25 / 40 mm	4	W 00 651	Adjuster Bolt - M10 x 1.5 / 50 mm	1
W 01 605	Bolt - M8 x 1.25 / 16 mm	2	W 01 790	Wavy Washer	1
W 00 277	Spline Shaft / Front - R - (26 Teeth)	1	W 01 777	Rubber Cap	1
W 00 285	Bearing House - R	1	W 00 650	Bush - Ø 50 x 55 / 20 mm	1
W 00 267	Caliper Adjusting Gear - R	1	W 01 776	Boot Plastic	1
W 01 782	Torsion Spring Bearing	1	W 00 290	Ball Bearing	1
W 01 788	Torsion Spring (Big) - R	1	W 00 289	Thrust Bearing	1
W 01 786	Washer	4	W 00 389	Wavy Washer	1
W 01 787	Washer	3			

W 00 657**Clutch System (Small) - R**

W 00 649	Adjusting Gear (Small)	1
W 01 789	Torsion Spring (Small) - R	1
W 00 651	Adjuster Bolt - M10 x 1.5 / 50 mm	1
W 01 790	Wavy Washer	1
W 01 777	Rubber Cap	1

W 00 656**Clutch System (Small) - L**

W 00 649	Adjusting Gear (Small)	1
W 01 784	Torsion Spring (Small) - L	1
W 00 651	Adjuster Bolt - M10 x 1.5 / 50 mm	1
W 01 790	Wavy Washer	1
W 01 777	Rubber Cap	1

W 00 253**Caliper Repair Set / (Rear) - L****REAR**

W 00 295	Spline Shaft Dust Cover	1	W 00 649	Adjusting Gear (Small)	1
W 01 774	Spline Shaft Boot	1	W 01 784	Torsion Spring (Small) - L	1
W 00 818	Bolt - M8 x 1.25 / 40 mm	4	W 00 651	Adjuster Bolt - M10 x 1.5 / 50 mm	1
W 01 605	Bolt - M8 x 1.25 / 16 mm	2	W 01 790	Wavy Washer	1
W 00 280	Spline Shaft / Rear - L	1	W 01 777	Rubber Cap	1
W 00 287	Bearing House - L	1	W 00 650	Bush - Ø 50 x 55 / 20 mm	1
W 00 272	Caliper Adjusting Gear - L	1	W 01 776	Boot Plastic	1
W 01 782	Torsion Spring Bearing	1	W 00 290	Ball Bearing	1
W 01 783	Torsion Spring (Big) - L	1	W 00 289	Thrust Bearing	1
W 01 786	Washer	4	W 00 389	Wavy Washer	1
W 01 787	Washer	3			

W 00 252**Caliper Repair Set / (Rear) - R****REAR**

W 00 295	Spline Shaft Dust Cover	1	W 00 649	Adjusting Gear (Small)	1
W 01 774	Spline Shaft Boot	1	W 01 789	Torsion Spring (Small) - R	1
W 00 818	Bolt - M8 x 1.25 / 40 mm	4	W 00 651	Adjuster Bolt - M10 x 1.5 / 50 mm	1
W 01 605	Bolt - M8 x 1.25 / 16 mm	2	W 01 790	Wavy Washer	1
W 00 279	Spline Shaft / Rear - R	1	W 01 777	Rubber Cap	1
W 00 285	Bearing House - R	1	W 00 650	Bush - Ø 50 x 55 / 20 mm	1
W 00 267	Caliper Adjusting Gear - R	1	W 01 776	Boot Plastic	1
W 01 782	Torsion Spring Bearing	1	W 00 290	Ball Bearing	1
W 01 788	Torsion Spring (Big) - R	1	W 00 289	Thrust Bearing	1
W 01 786	Washer	4	W 00 389	Wavy Washer	1
W 01 787	Washer	3			

W 02 122**Caliper Lever - (48 Teeth)****W 02 123****Caliper Lever - (26 Teeth)****W 02 300****Caliper Spring Plate Set****W 02 299** Caliper Spring Plate 10**W 02 382****Caliper Pad Retainer Kit**

W 02 376

Caliper Repair Set - Left



W 01 605	Bolt M8 X 1.25 / 16 mm	2	W 00 276	Caliper Brake Lining Plate	1
W 01 782	Torsion Spring Bearing	1	W 00 272	Caliper Adjusting Gear -L	1
W 01 783	Torsion Spring (Big) - L	1	W 00 289	Thrust Bearing	1
W 01 786	Washer	4	W 00 389	Wavy Washer	1
W 01 787	Washer	3	W 00 290	Ball Bearing	1
W 00 649	Adjusting Gear (Small)	1	W 00 644	Spline Shaft -L (48 Teeth)	1
W 01 789	Torsion Spring (Small) - R	1	W 00 287	Bearing House -L	1
W 00 651	Adjuster Bolt - M10 X 1.5 / 50 mm	1	W 00 334	Caliper Pin Ø 32 / 117 mm	1
W 01 790	Wavy Washer	1	W 00 849	Caliper Pin Ø 32 / 74 mm	1
W 01 777	Rubber Cap	1	W 00 815	Pin Bolt M18 X 1.5 / 117 mm	1
W 02 195	Calibration Ring	1	W 00 345	Caliper Pin Bolt	1
W 01 776	Boot Plastic	1	W 00 875	Bush Ø 32-33 X 36 / 30 mm	1
W 00 650	Bush - Ø 50 X 55 / 20 mm	1	W 00 362	Bush Ø 32 X 36 / 40 mm	2
W 01 778	Seal	1	W 00 893	Pin Cap Ø 37 / 11 mm	2
W 01 779	Circlip	1	W 00 294	Dust Cover	2
W 01 785	Caliper Adjusting Gear Spring	1	W 00 939	Pin Boot	2
W 02 122	Caliper Lever (48 Teeth)	1	W 00 295	Spline Shaft Dust Cover	1
W 02 299	Caliper Spring Plate	1	W 01 774	Spline Shaft Boot	1
W 01 541	Grease - 5 g	1	W 00 818	Bolt - M8 X 1.25 / 40 mm	4

W 02 376/1 Caliper Repair Set - Left Without Chrome Plated Pins

W 02 377

Caliper Repair Set - Right



W 00 276	Caliper Brake Lining Plate	1	W 01 605	Bolt M8 X 1.25 / 16 mm	2
W 00 267	Caliper Adjusting Gear -R	1	W 00 649	Adjusting Gear (Small)	1
W 00 289	Thrust Bearing	1	W 01 784	Torsion Spring (Small) - L	1
W 00 389	Wavy Washer	1	W 00 651	Adjuster Bolt - M10 X 1.5 / 50 mm	1
W 00 290	Ball Bearing	1	W 01 790	Wavy Washer	1
W 00 645	Spline Shaft -R (48 Teeth)	1	W 01 777	Rubber Cap	1
W 00 285	Caliper Bearing Set	1	W 01 782	Torsion Spring Bearing	1
W 00 334	Caliper Pin Ø 32 / 117 mm	1	W 01 788	Torsion Spring (Big) -R	1
W 00 849	Caliper Pin Ø 32 / 74 mm	1	W 01 786	Washer	4
W 00 815	Pin Bolt M18 X 1.5 / 117 mm	1	W 01 787	Washer	3
W 00 345	Caliper Pin Bolt	1	W 02 195	Calibration Ring	1
W 00 875	Bush Ø 32-33 X 36 / 30 mm	1	W 01 776	Boot Plastic	1
W 00 362	Bush Ø 32 X 36 / 40 mm	2	W 00 650	Bush - Ø 50 X 55 / 20 mm	1
W 00 893	Pin Cap Ø 37 / 11 mm	2	W 01 778	Seal	1
W 00 294	Dust Cover	2	W 01 779	Circlip	1
W 00 939	Pin Boot	2	W 01 785	Caliper Adjusting Gear Spring	1
W 00 295	Spline Shaft Dust Cover	1	W 02 122	Caliper Lever (48 Teeth)	1
W 01 774	Spline Shaft Boot	1	W 02 299	Caliper Spring Plate	1
W 00 818	Bolt - M8 X 1.25 / 40 mm	4	W 01 541	Grease - 5 g	1

W 02 377/1 Caliper Repair Set - Right Without Chrome Plated Pins

W 02 378

Caliper Repair Set - Left



W 00 276	Caliper Brake Lining Plate	1	W 01 605	Bolt M8 X 1.25 / 16 mm	2
W 00 272	Caliper Adjusting Gear -L	1	W 01 782	Torsion Spring Bearing	1
W 00 289	Thrust Bearing	1	W 01 783	Torsion Spring (Big) -L	1
W 00 389	Wavy Washer	1	W 01 786	Washer	4
W 00 290	Ball Bearing	1	W 01 787	Washer	3
W 00 278	Spline Shaft -L (26 Teeth)	1	W 00 649	Adjusting Gear (Small)	1
W 00 287	Bearing House -L	1	W 01 789	Torsion Spring (Small) - R	1
W 00 334	Caliper Pin Ø 32 / 117 mm	1	W 00 651	Adjuster Bolt - M10 X 1.5 / 50 mm	1
W 00 849	Caliper Pin Ø 32 / 74 mm	1	W 01 790	Wavy Washer	1
W 00 815	Pin Bolt M18 X 1.5 / 117 mm	1	W 01 777	Rubber Cap	1
W 00 345	Caliper Pin Bolt	1	W 02 195	Calibration Ring	1
W 00 875	Bush Ø 32-33 X 36 / 30 mm	1	W 01 776	Boot Plastic	1
W 00 362	Bush Ø 32 X 36 / 40 mm	2	W 00 650	Bush - Ø 50 X 55 / 20 mm	1
W 00 893	Pin Cap Ø 37 / 11 mm	2	W 01 778	Seal	1
W 00 294	Dust Cover	2	W 01 779	Circlip	1
W 00 939	Pin Boot	2	W 01 785	Caliper Adjusting Gear Spring	1
W 00 295	Spline Shaft Dust Cover	1	W 02 123	Caliper Lever (26 Teeth)	1
W 01 774	Spline Shaft Boot	1	W 02 299	Caliper Spring Plate	1
W 00 818	Bolt - M8 X 1.25 / 40 mm	4	W 01 541	Grease - 5 g	1

W 02 378/1 Caliper Repair Set - Left Without Chrome Plated Pins

W 02 379

Caliper Repair Set - Right



W 00 276	Caliper Brake Lining Plate	1	W 01 605	Bolt M8 X 1.25 / 16 mm	2
W 00 267	Caliper Adjusting Gear -R	1	W 00 649	Adjusting Gear (Small)	1
W 00 289	Thrust Bearing	1	W 01 784	Torsion Spring (Small) - L	1
W 00 389	Wavy Washer	1	W 00 651	Adjuster Bolt - M10 X 1.5 / 50 mm	1
W 00 290	Ball Bearing	1	W 01 790	Wavy Washer	1
W 00 277	Spline Shaft -R (26 Teeth)	1	W 01 777	Rubber Cap	1
W 00 285	Caliper Bearing Set	1	W 01 782	Torsion Spring Bearing	1
W 00 334	Caliper Pin Ø 32 / 117 mm	1	W 01 788	Torsion Spring (Big) -R	1
W 00 849	Caliper Pin Ø 32 / 74 mm	1	W 01 786	Washer	4
W 00 815	Pin Bolt M18 X 1.5 / 117 mm	1	W 01 787	Washer	3
W 00 345	Caliper Pin Bolt	1	W 02 195	Calibration Ring	1
W 00 875	Bush Ø 32-33 X 36 / 30 mm	1	W 01 776	Boot Plastic	1
W 00 362	Bush Ø 32 X 36 / 40 mm	2	W 00 650	Bush - Ø 50 X 55 / 20 mm	1
W 00 893	Pin Cap Ø 37 / 11 mm	2	W 01 778	Seal	1
W 00 294	Dust Cover	2	W 01 779	Circlip	1
W 00 939	Pin Boot	2	W 01 785	Caliper Adjusting Gear Spring	1
W 00 295	Spline Shaft Dust Cover	1	W 02 123	Caliper Lever (26 Teeth)	1
W 01 774	Spline Shaft Boot	1	W 02 299	Caliper Spring Plate	1
W 00 818	Bolt - M8 X 1.25 / 40 mm	4	W 01 541	Grease - 5 g	1

W 02 379/1 Caliper Repair Set - Right Without Chrome Plated Pins

W 02 380

Caliper Repair Set - Left



W 00 276	Caliper Brake Lining Plate	1	W 01 605	Bolt M8 X 1.25 / 16 mm	2
W 00 272	Caliper Adjusting Gear -L	1	W 01 782	Torsion Spring Bearing	1
W 00 289	Thrust Bearing	1	W 01 783	Torsion Spring (Big) -L	1
W 00 389	Wavy Washer	1	W 01 786	Washer	4
W 00 290	Ball Bearing	1	W 01 787	Washer	3
W 00 287	Bearing House -L	1	W 00 649	Adjusting Gear (Small)	1
W 00 280	Spline Shaft -L (26 Teeth)	1	W 01 789	Torsion Spring (Small) - R	1
W 00 334	Caliper Pin Ø 32 / 117 mm	1	W 00 651	Adjuster Bolt - M10 X 1.5 / 50 mm	1
W 00 849	Caliper Pin Ø 32 / 74 mm	1	W 01 790	Wavy Washer	1
W 00 815	Pin Bolt M18 X 1.5 / 117 mm	1	W 01 777	Rubber Cap	1
W 00 345	Caliper Pin Bolt	1	W 02 195	Calibration Ring	1
W 00 875	Bush Ø 32-33 X 36 / 30 mm	1	W 01 776	Boot Plastic	1
W 00 362	Bush Ø 32 X 36 / 40 mm	2	W 00 650	Bush - Ø 50 X 55 / 20 mm	1
W 00 893	Pin Cap Ø 37 / 11 mm	2	W 01 778	Seal	1
W 00 294	Dust Cover	2	W 01 779	Circlip	1
W 00 939	Pin Boot	2	W 01 785	Caliper Adjusting Gear Spring	1
W 00 295	Spline Shaft Dust Cover	1	W 02 123	Caliper Lever (26 Teeth)	1
W 01 774	Spline Shaft Boot	1	W 02 299	Caliper Spring Plate	1
W 00 818	Bolt - M8 X 1.25 / 40 mm	4	W 01 541	Grease - 5 g	1

W 02 380/1 Caliper Repair Set - Left Without Chrome Plated Pins

W 02 381**Caliper Repair Set - Right**

W 00 276	Caliper Brake Lining Plate	1	W 01 605	Bolt M8 X 1.25 / 16 mm	2
W 00 267	Caliper Adjusting Gear -R	1	W 00 649	Adjusting Gear (Small)	1
W 00 289	Thrust Bearing	1	W 01 784	Torsion Spring (Small) - L	1
W 00 389	Wavy Washer	1	W 00 651	Adjuster Bolt - M10 X 1.5 / 50 mm	1
W 00 290	Ball Bearing	1	W 01 790	Wavy Washer	1
W 00 285	Caliper Bearing Set	1	W 01 777	Rubber Cap	1
W 00 279	Spline Shaft -R (26 Teeth)	1	W 01 782	Torsion Spring Bearing	1
W 00 334	Caliper Pin Ø 32 / 117 mm	1	W 01 788	Torsion Spring (Big) -R	1
W 00 849	Caliper Pin Ø 32 / 74 mm	1	W 01 786	Washer	4
W 00 815	Pin Bolt M18 X 1.5 / 117 mm	1	W 01 787	Washer	3
W 00 345	Caliper Pin Bolt	1	W 02 195	Calibration Ring	1
W 00 875	Bush Ø 32-33 X 36 / 30 mm	1	W 01 776	Boot Plastic	1
W 00 362	Bush Ø 32 X 36 / 40 mm	2	W 00 650	Bush - Ø 50 X 55 / 20 mm	1
W 00 893	Pin Cap Ø 37 / 11 mm	2	W 01 778	Seal	1
W 00 294	Dust Cover	2	W 01 779	Circlip	1
W 00 939	Pin Boot	2	W 01 785	Caliper Adjusting Gear Spring	1
W 00 295	Spline Shaft Dust Cover	1	W 02 123	Caliper Lever (26 Teeth)	1
W 01 774	Spline Shaft Boot	1	W 02 299	Caliper Spring Plate	1
W 00 818	Bolt - M8 X 1.25 / 40 mm	4	W 01 541	Grease - 5 g	1

W 02 381/1 Caliper Repair Set - Right Without Chrome Plated Pins



wisGROUP

Impressive CV Spare Parts

**CARRIERS
FOR MERITOR**

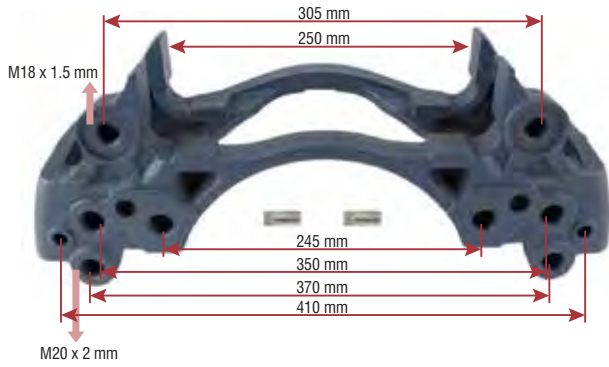
www.wisgroup.com.tr

W 02 394

Caliper Carrier 22,5"

**MCK1297
MCK1322
85109886
5001866384**

ELSA 225

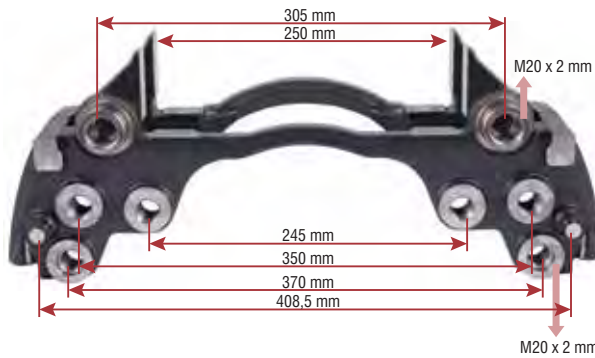


W 02 395

Caliper Carrier 22,5"

**68322778
1489072
3092253**

D DUCO



W 02 396

Caliper Carrier 22,5"

**68323673
68323675
68323676
MAN 35.50307.5526**

ELSA 2

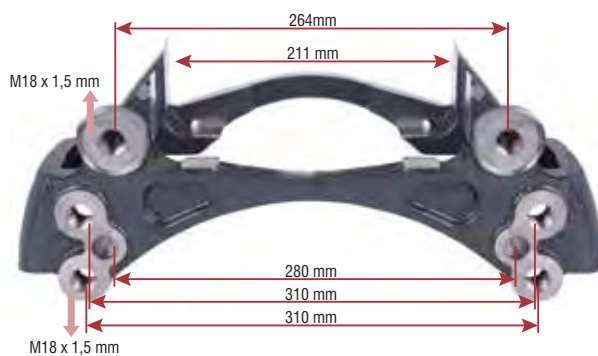


W 02 397

Caliper Carrier 19,5"

**MCK1252
DAF 883186**

ELSA 195

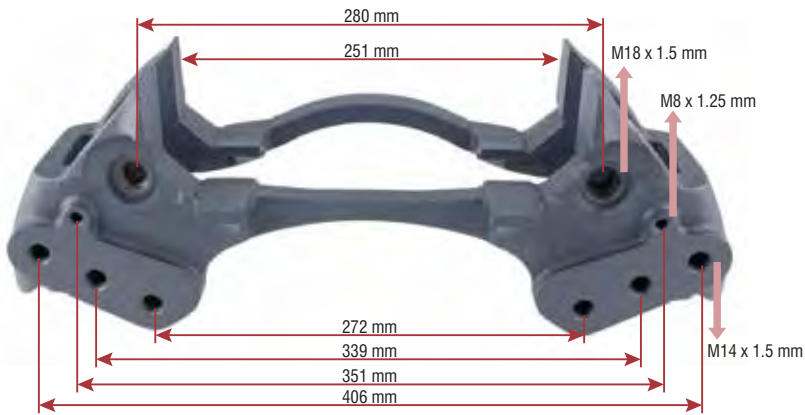


W 02 398

Caliper Carrier 22,5"

BDA443

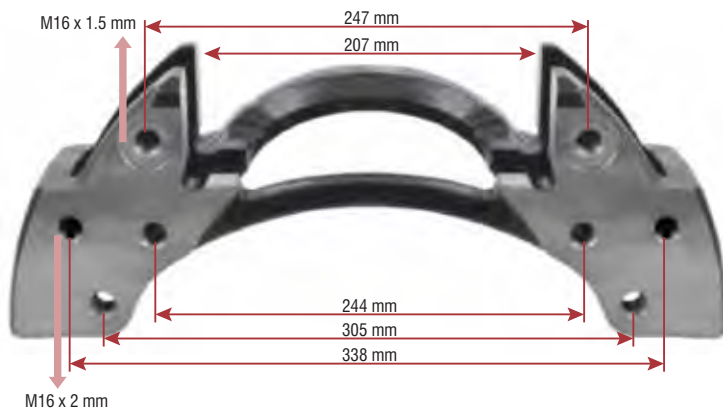
D3 REAR



W 02 399

Caliper Carrier 19,5"

DX195
ROR Trailer Axle

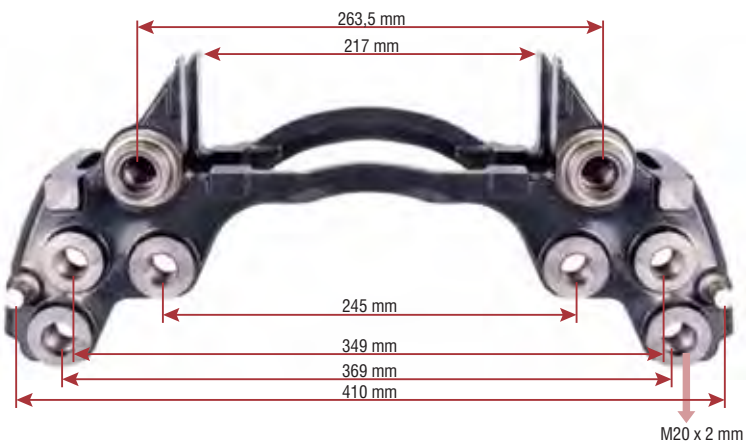


W 02 400

Caliper Carrier 19,5"

68323539

C DUCO





wisGROUP

Impressive CV Spare Parts

FOR WABCO

www.wisgroup.com.tr

W 00 764

Caliper Boot Set

PAN 17



W 01 215	Tappet Boot	1
W 00 221	Pin Boot	2

W 01 429

Caliper Boot & Pin Cap Set

PAN 17



W 00 895	Pin Cap - Ø 34 / 17 mm	2
W 01 215	Tappet Boot	1
W 00 221	Pin Boot	2

W 01 145

Caliper Boot & Pin Repair Kit

PAN 17



W 01 541	Grease - 5 g	1
W 00 221	Pin Boot	2
W 01 215	Tappet Boot	1
W 00 895	Pin Cap - Ø 34 / 17 mm	2
W 00 225	Pin Bush - Ø 30 X 34 / 20 mm	2
W 00 872	Pin Bush - Ø 30 X 34 / 25 mm	1
W 00 860	Caliper Pin - Ø 30 / 91 mm	1
W 00 861	Caliper Pin - Ø 30 / 77 mm	1

W 01 145/1 Caliper Boot & Pin Repair Kit Without Chrome Plated Pins

W 00 197**Caliper Boot & Pin Bush Set****PAN 17**

W 00 221	Pin Boot	2
W 01 215	Tappet Boot	1
W 00 225	Pin Bush - Ø 30 X 34 / 20 mm	2
W 00 872	Pin Bush - Ø 30 X 34 / 25 mm	1
W 00 895	Pin Cap - Ø 34 / 17 mm	2

W 00 197/1 Caliper Boot & Pin Bush Set Without Chrome Plated Pins**W 00 194****Caliper Boot & Pin Repair Kit****12 999 699
12 999 702****PAN 17**

W 00 221	Pin Boot	2
W 01 215	Tappet Boot	1
W 00 225	Pin Bush - Ø 30 X 34 / 20 mm	2
W 00 808	Pin Bolt - M16 X 1.5 / 90 mm	1
W 00 821	Pin Bolt - M16 X 1.5 / 70 mm	1
W 00 860	Caliper Pin - Ø 30 / 91 mm	1
W 00 861	Caliper Pin - Ø 30 / 77 mm	1
W 00 872	Pin Bush - Ø 30 X 34 / 25 mm	1
W 00 895	Pin Cap - Ø 34 / 17 mm	2
W 01 541	Grease - 5 g	1

W 00 194/1 Caliper Boot & Pin Repair Kit Without Chrome Plated Pins

W 00 206

Caliper Boot & Bolt Set

12 999 580

PAN 17



W 00 221	Pin Boot	2
W 01 215	Tappet Boot	1
W 00 225	Pin Bush - Ø 30 X 34 / 20 mm	2
W 00 808	Pin Bolt - M16 X 1.5 / 90 mm	1
W 00 821	Pin Bolt - M16 X 1.5 / 70 mm	1
W 00 872	Pin Bush - Ø 30 X 34 / 25 mm	1
W 00 895	Pin Cap - Ø 34 / 17 mm	2
W 01 614	Caliper Head Cap	1
W 01 615	Caliper Head Gasket	1
W 01 616	Caliper Head Seal	1
W 01 149	Caliper Head Seal	1
W 01 617	Caliper Head Bolt - M10 X 1 / 40 mm	8

W 00 206/1 Caliper Boot & Bolt Set Without Chrome Plated Pins

W 00 196

Caliper Boot & Pin Bolt Repair Kit

12 999 704

PAN 17



W 00 221	Pin Boot	2
W 01 215	Tappet Boot	1
W 00 225	Pin Bush - Ø 30 X 34 / 20 mm	2
W 00 808	Pin Bolt - M16 X 1.5 / 90 mm	1
W 00 821	Pin Bolt - M16 X 1.5 / 70 mm	1
W 00 895	Pin Cap - Ø 34 / 17 mm	2
W 00 872	Pin Bush - Ø 30 X 34 / 25 mm	1

W 00 196/1 Caliper Boot & Pin Bolt Repair Kit Without Chrome Plated Pins

W 00 207

Caliper Head Gasket Set

PAN 17



W 01 614	Caliper Head Cap	1
W 01 615	Caliper Head Gasket	1
W 01 616	Caliper Head Seal	1
W 01 149	Caliper Head Seal	1

W 00 205 Adjusting Mechanism Washer & Spring Set

PAN 17



W 01 621	Adjusting Spring	1
W 01 623	Locker Ring	1
W 01 624	Bevel Washer	1
W 01 625	Washer	1
W 01 626	Bottom Washer	1
W 01 627	Clips	1

W 01 417

Brake Pad Retainer Set

PAN 17



W 01 577

Pin Cap - Ø 34 / 38 mm

PAN 17



W 01 148

Caliper Boot & Pin Cap Set

PAN 17



W 01 577	Pin Cap - Ø 34 / 38 mm	1
W 00 895	Pin Cap - Ø 34 / 17 mm	1
W 01 215	Tappet Boot	1
W 00 221	Pin Boot	2

W 01 147

Caliper Pin Repair Kit

PAN 17



W 01 617	Caliper Head Bolt - M10 X 1 / 40 mm	8
W 00 808	Pin Bolt - M16 X 1.5 / 90 mm	1
W 00 860	Caliper Pin - Ø 30 / 91 mm	1
W 00 861	Caliper Pin - Ø 30 / 77 mm	1
W 00 821	Pin Bolt - M16 X 1.5 / 70 mm	1

W 01 147/1 Caliper Pin Repair Kit Without Chrome Plated Pins

W 01 620

Roller Bearing

PAN 17



W00187

Caliper Needle Bearing Set

PAN 17



W 01 620 Roller Bearing 2

W00721

Caliper Lever

PAN 17



W 00 212 Calibration Bolt - (With Pin) - 87 mm

PAN 17

**W 00 765** Shaft Housing - (Thin)

PAN 17

**W01008** Caliper Complete Mechanism Set - (With Pin)

PAN 17



W 01 622	Torsion Spring	1
W 01 628	Mechanism Slot - 110 mm	1
W 01 629	Torsion Spring Ring (Thick)	1
W 01 630	Torsion Spring Ring (Thin)	1
W 00 212	Calibration Bolt - (With Pin) - 87 mm	1
W 00 765	Shaft Housing - (Thin)	1
W 01 621	Adjusting Spring	1
W 01 623	Locker Ring	1
W 01 624	Bevel Washer	1
W 01 625	Washer	1
W 01 626	Bottom Washer	1
W 01 627	Clips	1

W 00 711 Caliper Adjusting Mechanism Set - (With Pin)

PAN 17

W 01 622	Torsion Spring	1
W 01 628	Mechanism Slot - 110 mm	1
W 00 212	Calibration Bolt - (With Pin) - 87 mm	1
W 01 629	Torsion Spring Ring (Thick)	1
W 01 630	Torsion Spring Ring (Thin)	1
W 01 621	Adjusting Spring	1
W 01 624	Bevel Washer	1
W 01 625	Washer	1
W 01 626	Bottom Washer	1
W 01 623	Locker Ring	1
W 01 627	Clips	1



W 00 213 Calibration Bolt - (With Groove) - 87 mm

PAN 17



W 00 765 Shaft Housing - (Thin)

PAN 17



W01009 Caliper Adjusting Mechanism Set - (With Groove)

PAN 17



W 01 622	Torsion Spring	1
W 01 628	Mechanism Slot - 110 mm	1
W 01 629	Torsion Spring Ring (Thick)	1
W 01 630	Torsion Spring Ring (Thin)	1
W 00 213	Calibration Bolt - (With Groove) - 87 mm	1
W 00 765	Shaft Housing - (Thin)	1
W 01 621	Adjusting Spring	1
W 01 623	Locker Ring	1
W 01 624	Bevel Washer	1
W 01 625	Washer	1
W 01 626	Bottom Washer	1
W 01 627	Clips	1

W 00 176 Caliper Adjusting Mechanism Set - (With Groove)

PAN 17

W 01 621	Adjusting Spring	1
W 01 623	Locker Ring	1
W 01 624	Bevel Washer	1
W 01 625	Washer	1
W 01 626	Bottom Washer	1
W 01 627	Clips	1
W 00 213	Calibration Bolt - (With Groove) - 87 mm	1
W 01 628	Mechanism Slot - 110 mm	1
W 01 622	Torsion Spring	1
W 01 629	Torsion Spring Ring (Thick)	1
W 01 630	Torsion Spring Ring (Thin)	1



W 00 184**Brake Lining Plate (With Groove) - L****PAN 17****W 00 180****Brake Lining Plate (With Groove) - R****PAN 17****W 00 173****Brake Caliper Repair Set****PAN 17**

W 00 212	Calibration Bolt - (With Pin) - 87 mm	1
W 00 221	Pin Boot	2
W 00 225	Pin Bush - Ø 30 X 34 / 20 mm	2
W 00 808	Pin Bolt - M16 X 1.5 / 90 mm	1
W 00 821	Pin Bolt - M16 X 1.5 / 70 mm	1
W 00 860	Caliper Pin - Ø 30 / 91 mm	1
W 00 861	Caliper Pin - Ø 30 / 77 mm	1
W 00 872	Pin Bush - Ø 30 X 34 / 25 mm	1
W 00 895	Pin Cap - Ø 34 / 17 mm	2
W 01 215	Tappet Boot	1
W 01 621	Adjusting Spring	1
W 01 622	Torsion Spring	1
W 01 623	Locker Ring	1
W 01 624	Bevel Washer	1
W 01 625	Washer	1
W 01 626	Bottom Washer	1
W 01 627	Clips	1
W 01 628	Mechanism Slot - 110 mm	1
W 01 629	Torsion Spring Ring (Thick)	1
W 01 630	Torsion Spring Ring (Thin)	1
W 01 541	Grease - 5 g	1

W 00 173/1 Brake Caliper Repair Set Without Chrome Plated Pins

W 00 183**Brake Lining Plate (With Pin) - L****PAN 17****W 00 179****Brake Lining Plate (With Pin) - R****PAN 17****W 00 174****Brake Caliper Repair Set****PAN 17**

W 00 213	Calibration Bolt - (With Groove) - 87mm	1
W 00 221	Pin Boot	2
W 00 225	Pin Bush - Ø 30 X 34 / 20 mm	2
W 00 808	Pin Bolt - M16 X 1.5 / 90 mm	1
W 00 821	Pin Bolt - M16 X 1.5 / 70 mm	1
W 00 860	Caliper Pin - Ø 30 / 91 mm	1
W 00 861	Caliper Pin - Ø 30 / 77 mm	1
W 00 872	Pin Bush - Ø 30 X 34 / 25 mm	1
W 00 895	Pin Cap - Ø 34 / 17 mm	2
W 01 215	Tappet Boot	1
W 01 621	Adjusting Spring	1
W 01 622	Torsion Spring	1
W 01 623	Locker Ring	1
W 01 624	Bevel Washer	1
W 01 625	Washer	1
W 01 626	Bottom Washer	1
W 01 627	Clips	1
W 01 628	Mechanism Slot - 110 mm	1
W 01 629	Torsion Spring Ring (Thick)	1
W 01 630	Torsion Spring Ring (Thin)	1
W 01 541	Grease - 5 g	1

W 00 174/1 Brake Caliper Repair Set Without Chrome Plated Pins

W 01 406 Caliper Complete Repair Set (With Pin) - R**PAN 17**

W 00 221	Pin Boot	2
W 01 215	Tappet Boot	1
W 00 225	Pin Bush - Ø 30 X 34 / 20 mm	2
W 00 808	Pin Bolt - M16 X 1.5 / 90 mm	1
W 00 821	Pin Bolt - M16 X 1.5 / 70 mm	1
W 00 860	Caliper Pin - Ø 30 / 91 mm	1
W 00 861	Caliper Pin - Ø 30 / 77 mm	1
W 00 872	Pin Bush - Ø 30 X 34 / 25 mm	1
W 00 895	Pin Cap - Ø 34 / 17 mm	2
W 00 180	Brake Lining Plate (With Groove) - R	1
W 01 622	Torsion Spring	1
W 01 628	Mechanism Slot - 110 mm	1
W 01 629	Torsion Spring Ring (Thick)	1
W 01 630	Torsion Spring Ring (Thin)	1
W 00 212	Calibration Bolt - (With Pin) - 76 mm	1
W 01 621	Adjusting Spring	1
W 01 624	Bevel Washer	1
W 01 625	Washer	1
W 01 626	Bottom Washer	1
W 01 623	Locker Ring	1
W 01 627	Clips	1
W 00 765	Shaft Housing - (Thin)	1
W 01 620	Roller Bearing	2
W 01 618	Lever	1
W 01 614	Caliper Head Cap	1
W 01 615	Caliper Head Gasket	1
W 01 616	Caliper Head Seal	1
W 01 149	Caliper Head Seal	1
W 01 617	Caliper Head Bolt - M10 X 1 / 40 mm	8
W 01 541	Grease - 5 g	1

**W 01 406/1 Cal'per Complete Repa'r Set (W'th P'n) - R W'thout Chrome Plated P'ns****W 01 407 Caliper Complete Repair Set (With Pin) - L****PAN 17**

W 00 221	Pin Boot	2
W 01 215	Tappet Boot	1
W 00 225	Pin Bush - Ø 30 X 34 / 20 mm	2
W 00 808	Pin Bolt - M16 X 1.5 / 90 mm	1
W 00 821	Pin Bolt - M16 X 1.5 / 70 mm	1
W 00 860	Caliper Pin - Ø 30 / 91 mm	1
W 00 861	Caliper Pin - Ø 30 / 77 mm	1
W 00 872	Pin Bush - Ø 30 X 34 / 25 mm	1
W 00 895	Pin Cap - Ø 34 / 17 mm	2
W 00 184	Brake Lining Plate (With Groove) - L	1
W 01 622	Torsion Spring	1
W 01 628	Mechanism Slot - 110 mm	1
W 01 629	Torsion Spring Ring (Thick)	1
W 01 630	Torsion Spring Ring (Thin)	1
W 00 212	Calibration Bolt - (With Pin) - 76 mm	1
W 01 621	Adjusting Spring	1
W 01 624	Bevel Washer	1
W 01 625	Washer	1
W 01 626	Bottom Washer	1
W 01 623	Locker Ring	1
W 01 627	Clips	1
W 00 765	Shaft Housing - (Thin)	1
W 01 620	Roller Bearing	2
W 01 618	Lever	1
W 01 614	Caliper Head Cap	1
W 01 615	Caliper Head Gasket	1
W 01 616	Caliper Head Seal	1
W 01 149	Caliper Head Seal	1
W 01 617	Caliper Head Bolt - M10 X 1 / 40 mm	8
W 01 541	Grease - 5 g	1

W 01 407/1 Cal'per Complete Repa'r Set (W'th P'n) - L W'thout Chrome Plated P'ns

W 01 468 Caliper Complete Repair Set (Whith Groove) - R

PAN 17

W 00 221	Pin Boot	2
W 01 215	Tappet Boot	1
W 00 225	Pin Bush - Ø 30 X 34 / 20 mm	2
W 00 808	Pin Bolt - M16 X 1.5 / 90 mm	1
W 00 821	Pin Bolt - M16 X 1.5 / 70 mm	1
W 00 860	Caliper Pin - Ø 30 / 91 mm	1
W 00 861	Caliper Pin - Ø 30 / 77 mm	1
W 00 872	Pin Bush - Ø 30 X 34 / 25 mm	1
W 00 895	Pin Cap - Ø 34 / 17 mm	2
W 00 179	Brake Lining Plate (With Pin) - R	1
W 01 621	Adjusting Spring	1
W 01 623	Locker Ring	1
W 01 624	Bevel Washer	1
W 01 625	Washer	1
W 01 626	Bottom Washer	1
W 01 627	Clips	1
W 00 213	Calibration Bolt - (With Groove) - 76 mm	1
W 01 622	Torsion Spring	1
W 01 628	Mechanism Slot - 110 mm	1
W 01 629	Torsion Spring Ring (Thick)	1
W 01 630	Torsion Spring Ring (Thin)	1
W 00 765	Shaft Housing - (Thin)	1
W 01 620	Roller Bearing	2
W 01 618	Lever	1
W 01 614	Caliper Head Cap	1
W 01 615	Caliper Head Gasket	1
W 01 616	Caliper Head Seal	1
W 01 149	Caliper Head Seal	1
W 01 617	Caliper Head Bolt - M10 X 1 / 40 mm	8
W 01 541	Grease - 5 g	1



W 01 468/1 Cal'per Complete Repa'r Set (W'th Groove)-R W'thout Chrome Plated P'ns

W 01 474 Caliper Complete Repair Set (With Groove) - L

PAN 17



W 00 221	Pin Boot	2
W 01 215	Tappet Boot	1
W 00 225	Pin Bush - Ø 30 X 34 / 20 mm	2
W 00 808	Pin Bolt - M16 X 1.5 / 90 mm	1
W 00 821	Pin Bolt - M16 X 1.5 / 70 mm	1
W 00 860	Caliper Pin - Ø 30 / 91 mm	1
W 00 861	Caliper Pin - Ø 30 / 77 mm	1
W 00 872	Pin Bush - Ø 30 X 34 / 25 mm	1
W 00 895	Pin Cap - Ø 34 / 17 mm	2
W 00 183	Brake Lining Plate (With Pin) - L	1
W 01 621	Adjusting Spring	1
W 01 623	Locker Ring	1
W 01 624	Bevel Washer	1
W 01 625	Washer	1
W 01 626	Bottom Washer	1
W 01 627	Clips	1
W 00 213	Calibration Bolt - (With Groove) - 76 mm	1
W 01 622	Torsion Spring	1
W 01 628	Mechanism Slot - 110 mm	1
W 01 629	Torsion Spring Ring (Thick)	1
W 01 630	Torsion Spring Ring (Thin)	1
W 00 765	Shaft Housing - (Thin)	1
W 01 620	Roller Bearing	2
W 01 618	Lever	1
W 01 614	Caliper Head Cap	1
W 01 615	Caliper Head Gasket	1
W 01 616	Caliper Head Seal	1
W 01 149	Caliper Head Seal	1
W 01 617	Caliper Head Bolt - M10 X 1 / 40 mm	8
W 01 541	Grease - 5 g	1

W 01 474/1 Cal'per Complete Repa'r Set (W'th Groove)-L W'thout Chrome Plated P'ns

W 00 713 Caliper Adjusting Mechanism Set - (With Groove)**PAN 17**

W 00 213	Calibration Bolt - (With Groove) - 87 mm	1
W 01 622	Torsion Spring	1
W 01 628	Mechanism Slot - 110 mm	1
W 01 629	Torsion Spring Ring (Thick)	1
W 01 630	Torsion Spring Ring (Thin)	1

W 00 727 Adjusting Mechanism Spring Set**PAN 17**

W 01 619	Spring	2
W 01 621	Adjusting Spring	1
W 01 622	Torsion Spring	1
W 01 623	Locker Ring	1

W 00 177 Caliper Adjusting Mechanism Set - (With Pin)**PAN 17**

W 01 622	Torsion Spring	1
W 01 628	Mechanism Slot - 110 mm	1
W 01 629	Torsion Spring Ring (Thick)	1
W 01 630	Torsion Spring Ring (Thin)	1
W 00 212	Calibration Bolt - (With Pin) - 87 mm	1

W 00 192 Caliper Pin Repair Kit**PAN 17**

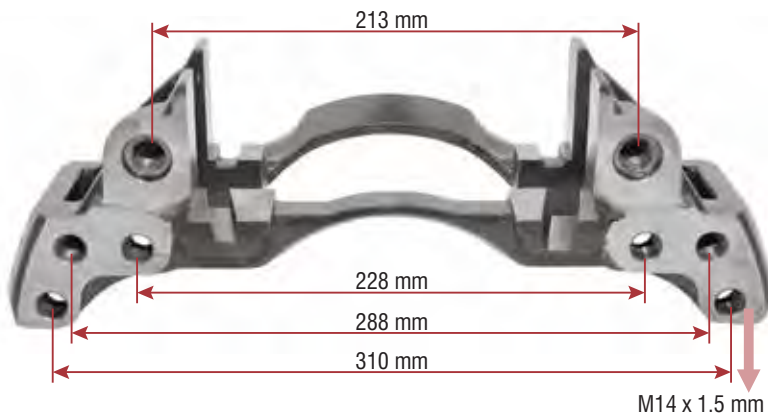
W 00 225	Pin Bush - Ø 30 X 34 / 20 mm	3
W 00 808	Pin Bolt - M16 X 1.5 / 90 mm	1
W 00 821	Pin Bolt - M16 X 1.5 / 70 mm	1
W 00 860	Caliper Pin - Ø 30 / 91 mm	1
W 00 861	Caliper Pin - Ø 30 / 77 mm	1
W 00 872	Pin Bush - Ø 30 X 34 / 25 mm	1
W 01 617	Caliper Head Bolt - M10 X 1 / 40 mm	8

**W 00 192/1 Caliper Pin Repair Kit Without Chrome Plated Pins**

W 01 984

Caliper Carrier Right

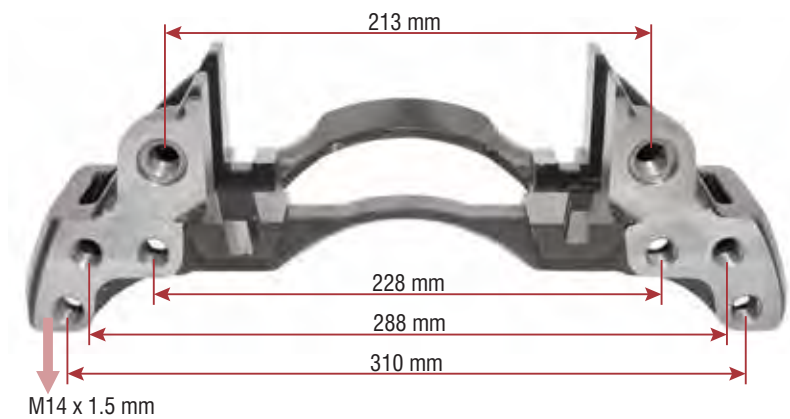
PAN 17



W 01 983

Caliper Carrier Left

PAN 17





wisGROUP

Impressive CV Spare Parts

**FOR WABCO
19.5"/22.5"
SINGLE PISTON**

www.wisgroup.com.tr

W 00 200

Caliper Boot & Pin Repair Kit

12 999 776

**PAN 19-1 plus
PAN 22-1**



W 00 218	Pin Bolt - M16 X 1.5 / 120 mm	1
W 00 222	Tappet Boot	1
W 00 223	Pin Boot	2
W 00 803	Pin Bolt - M16 X 1.5 / 80 mm	1
W 00 226	Pin Bush - Ø 38 X 42 / 30 mm	3
W 00 406	Caliper Pin - Ø 38 / 76 mm	1
W 00 862	Caliper Pin - Ø 38 / 118 mm	1
W 00 888	Pin Cap - Ø 42 / 17 mm	1
W 00 889	Pin Cap - Ø 42 / 28 mm	1
W 01 541	Grease - 5 g	1
W 01 631	Washer	2

W 00 200/1 Caliper Boot & Pin Repair Kit Without Chrome Plated Pins

W 01 151

Caliper Boot & Pin Repair Kit

**PAN 19-1 plus
PAN 22-1**



W 01 541	Grease - 5 g	1
W 01 631	Washer	2
W 00 862	Caliper Pin - Ø 38 / 118 mm	1
W 00 406	Caliper Pin - Ø 38 / 76 mm	1
W 00 222	Tappet Boot	1
W 00 223	Pin Boot	2
W 00 226	Pin Bush - Ø 38 X 42 / 30 mm	3
W 00 888	Pin Cap - Ø 42 / 17 mm	1
W 00 889	Pin Cap - Ø 42 / 28 mm	1

W 01 151/1 Caliper Boot & Pin Repair Kit Without Chrome Plated Pins

W 00 190

Caliper Boot Set

**PAN 19-1 plus
PAN 22-1**



W 00 222	Tappet Boot	1
W 00 223	Pin Boot	2
W 01 631	Washer	2

W 01 152

Caliper Boot & Pin Bush Repair Kit

**PAN 19-1 plus
PAN 22-1**



W 01 631	Washer	2
W 00 222	Tappet Boot	1
W 00 223	Pin Boot	2
W 00 226	Pin Bush - Ø 38 X 42 / 30 mm	3
W 00 888	Pin Cap - Ø 42 / 17 mm	1
W 00 889	Pin Cap - Ø 42 / 28 mm	1

W 01 152/1 Caliper Boot & Pin Bush Repair Kit Without Chrome Plated Pins

W 00 199

Caliper Boot & Pin Repair Kit

12 999 738

**PAN 19-1
PAN 19-1 plus
PAN 22-1**



W 00 218	Pin Bolt - M16 X 1.5 / 120 mm	1
W 00 222	Tappet Boot	1
W 00 223	Pin Boot (Green)	2
W 00 224	Pin Boot (White)	2
W 00 226	Pin Bush - Ø 38 X 42 / 30 mm	3
W 00 406	Caliper Pin - Ø 38 / 76 mm	1
W 00 862	Caliper Pin - Ø 38 / 118 mm	1
W 00 803	Pin Bolt - M16 X 1.5 / 80 mm	1
W 00 888	Pin Cap - Ø 42 / 17 mm	2
W 00 889	Pin Cap - Ø 42 / 28 mm	2
W 01 631	Washer	4
W 01 541	Grease - 5 g	1

W 00 199/1 Caliper Boot & Pin Repair Kit Without Chrome Plated Pins

W 01 153

Caliper Boot & Pin Repair Kit

**PAN 19-1
PAN 19-1 plus
PAN 22-1**



W 01 631	Washer	2
W 00 862	Caliper Pin - Ø 38 / 118 mm	1
W 00 406	Caliper Pin - Ø 38 / 76 mm	1
W 00 218	Pin Bolt - M16 X 1.5 / 120 mm	1
W 00 803	Pin Bolt - M16 X 1.5 / 80 mm	1
W 00 226	Pin Bush - Ø 38 X 42 / 30 mm	3
W 00 889	Pin Cap - Ø 42 / 28 mm	1
W 00 888	Pin Cap - Ø 42 / 17 mm	1
W 00 222	Tappet Boot	1
W 00 224	Pin Boot (White)	2
W 01 541	Grease - 5 g	1

W 01 153/1 Caliper Boot & Pin Repair Kit Without Chrome Plated Pins

W 00 193

Caliper Boot & Pin Bush Set

PAN 19-1
PAN 19-1 plus
PAN 22-1



W 00 218	Pin Bolt - M16 X 1.5 / 120 mm	1
W 00 803	Pin Bolt - M16 X 1.5 / 80 mm	1
W 00 406	Caliper Pin - Ø 38 / 76 mm	1
W 00 862	Caliper Pin - Ø 38 / 118 mm	1
W 01 617	Caliper Head Bolt - M10 X 1 / 40 mm	8

W 00 193/1 Caliper Boot & Pin Bush Set Without Chrome Plated Pins

W 00 202

Caliper Boot & Pin Bush Repair Kit

PAN 19-1
PAN 19-1 plus
PAN 22-1



W 00 222	Tappet Boot	1
W 00 223	Pin Boot (Green)	2
W 00 224	Pin Boot (White)	2
W 00 226	Pin Bush - Ø 38 X 42 / 30 mm	3
W 00 888	Pin Cap - Ø 42 / 17 mm	2
W 00 889	Pin Cap - Ø 42 / 28 mm	2
W 01 631	Washer	4

W 00 214 Caliper Calibration Bolt (With Pin) - 91 mm



PAN 19-1
PAN 19-1 plus
PAN 22-1

W 00 728 Shaft Housing - (Thick)



PAN 19-1
PAN 19-1 plus
PAN 22-1

W01006 Caliper Adjusting Mechanism Set - (With Pin)



PAN 19-1
PAN 19-1 plus
PAN 22-1

W 01 621	Adjusting Spring	1
W 01 623	Locker Ring	1
W 01 624	Bevel Washer	1
W 00 728	Shaft Housing - (Thick)	1
W 01 625	Washer	1
W 01 626	Bottom Washer	1
W 01 627	Clips	1
W 00 214	Calibration Bolt - (With Pin) - 91 mm	1
W 01 622	Torsion Spring	1
W 01 629	Torsion Spring Ring (Thick)	1
W 01 630	Torsion Spring Ring (Thin)	1
W 01 632	Mechanism Slot - 115 mm	1

W 00 178 Caliper Adjusting Mechanism Set - (With Pin)

W 01 621	Adjusting Spring	1
W 01 623	Locker Ring	1
W 01 624	Bevel Washer	1
W 01 625	Washer	1
W 01 626	Bottom Washer	1
W 01 627	Clips	1
W 00 214	Calibration Bolt - (With Pin) - 91 mm	1
W 01 622	Torsion Spring	1
W 01 629	Torsion Spring Ring (Thick)	1
W 01 630	Torsion Spring Ring (Thin)	1
W 01 632	Mechanism Slot - 115 mm	1



PAN 19-1
PAN 19-1 plus
PAN 22-1

W 00 185**Brake Lining Plate (With Groove) - L****PAN 19-1 plus
PAN 22-1****W 00 181****Brake Lining Plate (With Groove) - R****PAN 19-1 plus
PAN 22-1****W 00 175****Brake Caliper Repair Set****PAN 19-1 plus
PAN 22-1**

W 01 621	Adjusting Spring	1	W 00 218	Pin Bolt - M16 X 1.5 / 120 mm	1
W 01 623	Locker Ring	1	W 00 222	Tappet Boot	1
W 01 624	Bevel Washer	1	W 00 223	Pin Boot	2
W 01 625	Washer	1	W 00 803	Pin Bolt - M16 X 1.5 / 80 mm	1
W 01 626	Bottom Washer	1	W 00 226	Pin Bush - Ø 38 X 42 / 30 mm	3
W 01 627	Clips	1	W 00 406	Caliper Pin - Ø 38 / 76 mm	1
W 00 214	Calibration Bolt - (With Pin) - 80,4 mm	1	W 00 862	Caliper Pin - Ø 38 / 118 mm	1
W 01 622	Torsion Spring	1	W 00 888	Pin Cap - Ø 42 / 17 mm	1
W 01 629	Torsion Spring Ring (Thick)	1	W 00 889	Pin Cap - Ø 42 / 28 mm	1
W 01 630	Torsion Spring Ring (Thin)	1	W 01 631	Washer	2
W 01 632	Mechanism Slot - 115 mm	1	W 01 541	Grease - 5 g	1

W 00 175/1 Brake Caliper Repair Set Without Chrome Plated Pins

W 00 725**Brake Lining Plate (With Groove) - L**

PAN 19-1
 PAN 19-1 plus
 PAN 22-1

**W 00 726****Brake Lining Plate (With Groove) - R**

PAN 19-1
 PAN 19-1 plus
 PAN 22-1

**W 01 430****Caliper Repair Set**

PAN 19-1
 PAN 19-1 plus
 PAN 22-1



W 01 621	Adjusting Spring	1	W 00 406	Caliper Pin - Ø 38 / 76 mm	1
W 01 623	Locker Ring	1	W 00 218	Pin Bolt - M16 X 1.5 / 120 mm	1
W 01 624	Bevel Washer	1	W 00 803	Pin Bolt - M16 X 1.5 / 80 mm	1
W 01 625	Washer	1	W 00 226	Pin Bush - Ø 38 X 42 / 30 mm	3
W 01 626	Bottom Washer	1	W 00 889	Pin Cap - Ø 42 / 28 mm	2
W 01 627	Clips	1	W 00 888	Pin Cap - Ø 42 / 17 mm	2
W 00 214	Calibration Bolt - (With Pin) - 80,4 mm	1	W 00 222	Tappet Boot	1
W 01 622	Torsion Spring	1	W 00 224	Pin Boot (White)	2
W 01 629	Torsion Spring Ring (Thick)	1	W 00 223	Pin Boot (Green)	2
W 01 630	Torsion Spring Ring (Thin)	1	W 01 631	Washer	4
W 01 632	Mechanism Slot - 115 mm	1	W 01 541	Grease - 5 g	1
W 00 862	Caliper Pin - Ø 38 / 120 mm	1			

W 01 430/1 Caliper Repair Set Without Chrome Plated Pins

W 01 620

Caliper Needle Bearing

PAN 19-1
PAN 19-1 plus
PAN 22-1



W 00 187

Caliper Needle Bearing Set

PAN 19-1
PAN 19-1 plus
PAN 22-1

W 01 620	Roller Bearing	2
----------	----------------	---



W 00 721

Caliper Lever

PAN 19-1
PAN 19-1 plus
PAN 22-1



W 00 727

Adjusting Mechanism Spring Set

PAN 19-1
PAN 19-1 plus
PAN 22-1



W 01 619	Spring	2
W 01 621	Adjusting Spring	1
W 01 622	Torsion Spring	1
W 01 623	Locker Ring	1

W 01 064

Caliper Head Set

**PAN 19-1
PAN 19-1 plus
PAN 22-1**



W 01 614	Caliper Head Cap	1
W 01 616	Caliper Head Seal	1
W 00 222	Tappet Boot	1

W 00 205

Adjusting Mechanism Washer & Spring Set

**PAN 19-1
PAN 19-1 plus
PAN 22-1**



W 01 621	Adjusting Spring	1
W 01 623	Locker Ring	1
W 01 624	Bevel Washer	1
W 01 625	Washer	1
W 01 626	Bottom Washer	1
W 01 627	Clips	1

W 00 207

Caliper Head Gasket Set

**PAN 19-1
PAN 19-1 plus
PAN 22-1**

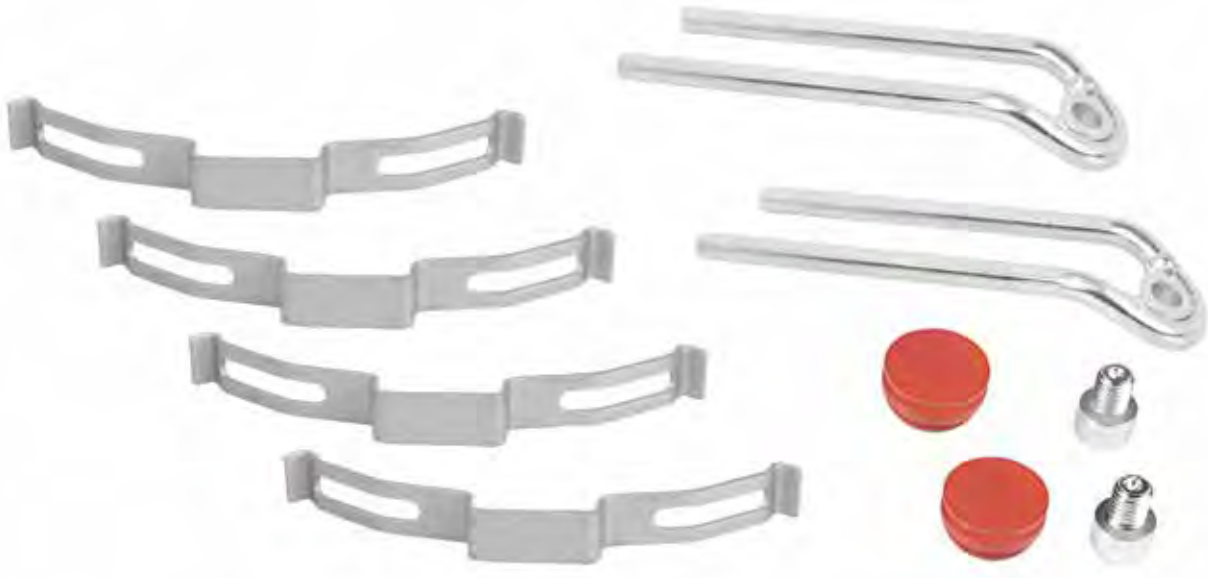


W 01 614	Caliper Head Cap	1
W 01 615	Caliper Head Gasket	1
W 01 616	Caliper Head Seal	1
W 01 149	Caliper Head Seal	1

W 01 434

Brake Pad Retainer Set

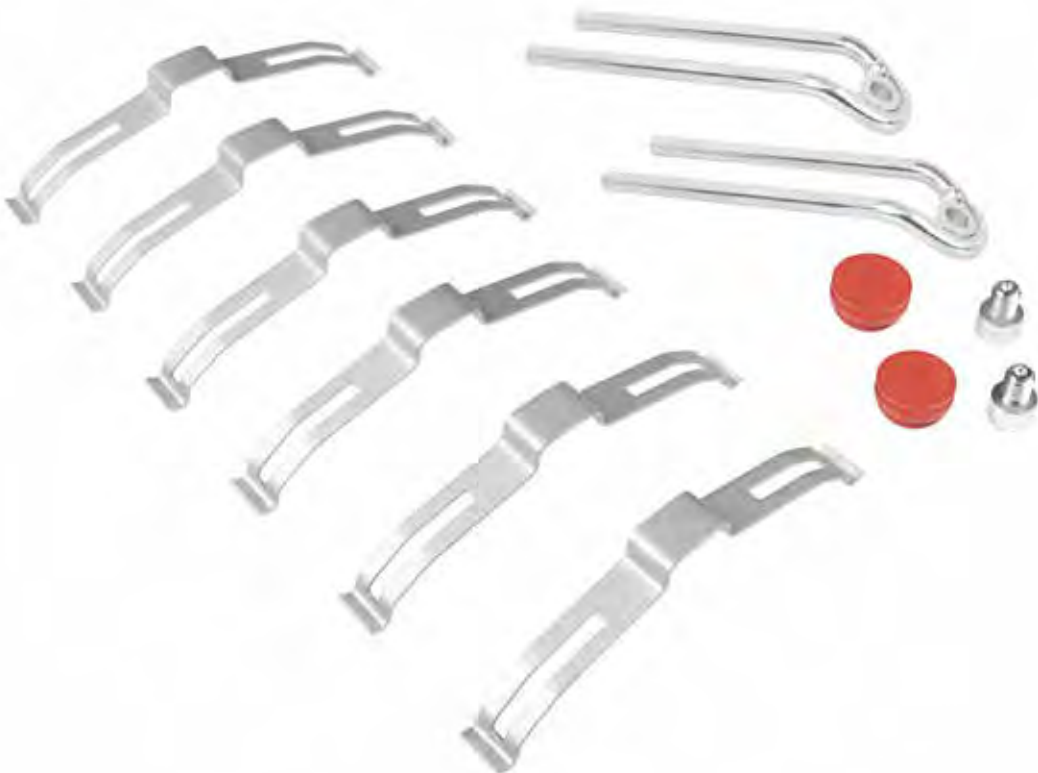
PAN 19-1
PAN 19-1 plus



W 01 431

Brake Pad Retainer Set

PAN 22-1



W 01 408**Caliper Complete Repair Set - R**PAN 19-1 plus
PAN 22-1

W 00 218	Pin Bolt - M16 X 1.5 / 120 mm	1
W 00 222	Tappet Boot	1
W 00 223	Pin Boot	2
W 00 803	Pin Bolt - M16 X 1.5 / 80 mm	1
W 00 226	Pin Bush - Ø 38 X 42 / 30 mm	3
W 00 406	Caliper Pin - Ø 38 / 76 mm	1
W 00 862	Caliper Pin - Ø 38 / 118 mm	1
W 00 888	Pin Cap - Ø 42 / 17 mm	1
W 00 889	Pin Cap - Ø 42 / 28 mm	1
W 01 631	Washer	2
W 00 181	Brake Lining Plate (With Groove) - R	1
W 01 621	Adjusting Spring	1
W 01 623	Locker Ring	1
W 01 624	Bevel Washer	1
W 01 625	Washer	1
W 01 626	Bottom Washer	1
W 01 627	Clips	1
W 00 214	Calibration Bolt - (With Pin) - 80,4 mm	1
W 01 622	Torsion Spring	1
W 01 629	Torsion Spring Ring (Thick)	1
W 01 630	Torsion Spring Ring (Thin)	1
W 01 632	Mechanism Slot - 115 mm	1
W 00 728	Shaft Housing - (Thick)	1
W 01 620	Roller Bearing	2
W 01 618	Lever	1
W 01 619	Spring	2
W 01 614	Caliper Head Cap	1
W 01 615	Caliper Head Gasket	1
W 01 616	Caliper Head Seal	1
W 01 149	Caliper Head Seal	1
W 01 617	Caliper Head Bolt - M10 X 1 / 40 mm	8
W 01 541	Grease - 5 g	2



W 01 408/1 Cal'per Complete Repa'r Set - R W'thout Chrome Plated P'ns

W 01 409**Caliper Complete Repair Set - L**PAN 19-1
PAN 19-1 plus
PAN 22-1

W 00 218	Pin Bolt - M16 X 1.5 / 120 mm	1
W 00 222	Tappet Boot	1
W 00 223	Pin Boot	2
W 00 803	Pin Bolt - M16 X 1.5 / 80 mm	1
W 00 226	Pin Bush - Ø 38 X 42 / 30 mm	3
W 00 406	Caliper Pin - Ø 38 / 76 mm	1
W 00 862	Caliper Pin - Ø 38 / 118 mm	1
W 00 888	Pin Cap - Ø 42 / 17 mm	1
W 00 889	Pin Cap - Ø 42 / 28 mm	1
W 01 631	Washer	2
W 00 185	Brake Lining Plate (With Groove) - L	1
W 01 621	Adjusting Spring	1
W 01 623	Locker Ring	1
W 01 624	Bevel Washer	1
W 01 625	Washer	1
W 01 626	Bottom Washer	1
W 01 627	Clips	1
W 00 214	Calibration Bolt - (With Pin) - 80,4 mm	1
W 01 622	Torsion Spring	1
W 01 629	Torsion Spring Ring (Thick)	1
W 01 630	Torsion Spring Ring (Thin)	1
W 01 632	Mechanism Slot - 115 mm	1
W 00 728	Shaft Housing - (Thick)	1
W 01 620	Roller Bearing	2
W 01 618	Lever	1
W 01 619	Spring	2
W 01 614	Caliper Head Cap	1
W 01 615	Caliper Head Gasket	1
W 01 616	Caliper Head Seal	1
W 01 149	Caliper Head Seal	1
W 01 617	Caliper Head Bolt - M10 X 1 / 40 mm	8
W 01 541	Grease - 5 g	1



W 01 409/1 Cal'per Complete Repa'r Set - L W'thout Chrome Plated P'ns

W 01 481**Caliper Complete Repair Set - R**

PAN 19-1
PAN 19-1 plus
PAN 22-1

W 00 218	Pin Bolt - M16 X 1.5 / 120 mm	1
W 00 222	Tappet Boot	1
W 00 223	Pin Boot (Green)	2
W 00 224	Pin Boot (White)	2
W 00 226	Pin Bush - Ø 38 X 42 / 30 mm	3
W 00 406	Caliper Pin - Ø 38 / 76 mm	1
W 00 862	Caliper Pin - Ø 38 / 118 mm	1
W 00 803	Pin Bolt - M16 X 1.5 / 80 mm	1
W 00 888	Pin Cap - Ø 42 / 17 mm	2
W 00 889	Pin Cap - Ø 42 / 28 mm	2
W 01 631	Washer	4
W 00 726	Brake Lining Plate (With Groove) - R	1
W 01 621	Adjusting Spring	1
W 01 623	Locker Ring	1
W 01 624	Bevel Washer	1
W 01 625	Washer	1
W 01 626	Bottom Washer	1
W 01 627	Clips	1
W 00 214	Calibration Bolt - (With Pin) - 80,4 mm	1
W 01 622	Torsion Spring	1
W 01 629	Torsion Spring Ring (Thick)	1
W 01 630	Torsion Spring Ring (Thin)	1
W 01 632	Mechanism Slot - 115 mm	1
W 00 728	Shaft Housing - (Thick)	1
W 01 620	Roller Bearing	2
W 01 618	Lever	1
W 01 619	Spring	2
W 01 614	Caliper Head Cap	1
W 01 615	Caliper Head Gasket	1
W 01 616	Caliper Head Seal	1
W 01 149	Caliper Head Seal	1
W 01 617	Caliper Head Bolt - M10 X 1 / 40 mm	8
W 01 541	Grease - 5 g	2



W 01 481/1 Cal'per Complete Repa'r Set - R W'thout Chrome Plated P'ns

W 01 482**Caliper Complete Repair Set - L**

PAN 19-1
PAN 19-1 plus
PAN 22-1

W 00 218	Pin Bolt - M16 X 1.5 / 120 mm	1
W 00 222	Tappet Boot	1
W 00 223	Pin Boot (Green)	2
W 00 224	Pin Boot (White)	2
W 00 226	Pin Bush - Ø 38 X 42 / 30 mm	3
W 00 406	Caliper Pin - Ø 38 / 76 mm	1
W 00 862	Caliper Pin - Ø 38 / 118 mm	1
W 00 803	Pin Bolt - M16 X 1.5 / 80 mm	1
W 00 888	Pin Cap - Ø 42 / 17 mm	2
W 00 889	Pin Cap - Ø 42 / 28 mm	2
W 01 631	Washer	4
W 00 725	Brake Lining Plate (With Groove) - L	1
W 01 621	Adjusting Spring	1
W 01 623	Locker Ring	1
W 01 624	Bevel Washer	1
W 01 625	Washer	1
W 01 626	Bottom Washer	1
W 01 627	Clips	1
W 00 214	Calibration Bolt - (With Pin) - 80,4 mm	1
W 01 622	Torsion Spring	1
W 01 629	Torsion Spring Ring (Thick)	1
W 01 630	Torsion Spring Ring (Thin)	1
W 01 632	Mechanism Slot - 115 mm	1
W 00 728	Shaft Housing - (Thick)	1
W 01 620	Roller Bearing	2
W 01 618	Lever	1
W 01 619	Spring	2
W 01 614	Caliper Head Cap	1
W 01 615	Caliper Head Gasket	1
W 01 616	Caliper Head Seal	1
W 01 149	Caliper Head Seal	1
W 01 617	Caliper Head Bolt - M10 X 1 / 40 mm	8
W 01 541	Grease - 5 g	2



W 01 482/1 Cal'per Complete Repa'r Set - L W'thout Chrome Plated P'ns

W 00 707

Caliper Boot & Pin Repair Kit

PAN 19-1
PAN 19-1 plus
PAN 22-1



W 00 218	Pin Bolt - M16 X 1.5 / 120 mm	1
W 00 222	Tappet Boot	1
W 00 223	Pin Boot (Green)	2
W 00 224	Pin Boot (White)	2
W 00 226	Pin Bush - Ø 38 X 42 / 30 mm	3
W 00 406	Caliper Pin - Ø 38 / 76 mm	1
W 00 862	Caliper Pin - Ø 38 / 118 mm	1
W 00 803	Pin Bolt - M16 X 1.5 / 80 mm	1
W 00 888	Pin Cap - Ø 42 / 17 mm	1
W 00 889	Pin Cap - Ø 42 / 28 mm	2
W 01 631	Washer	4
W 01 614	Caliper Head Cap	1
W 01 541	Grease - 5 g	1

W 00 707/1 Caliper Boot & Pin Repair Kit Without Chrome Plated Pins

W 00 715

Brake Caliper Repair Set

PAN 19-1
PAN 19-1 plus
PAN 22-1



W 01 621	Adjusting Spring	1	W 00 223	Pin Boot	2
W 01 623	Locker Ring	1	W 00 803	Pin Bolt - M16 X 1.5 / 80 mm	1
W 01 624	Bevel Washer	1	W 00 226	Pin Bush - Ø 38 X 42 / 30 mm	3
W 01 625	Washer	1	W 00 406	Caliper Pin - Ø 38 / 76 mm	1
W 01 626	Bottom Washer	1	W 00 862	Caliper Pin - Ø 38 / 118 mm	1
W 01 627	Clips	1	W 00 888	Pin Cap - Ø 42 / 17 mm	1
W 01 622	Torsion Spring	1	W 00 889	Pin Cap - Ø 42 / 28 mm	1
W 01 629	Torsion Spring Ring (Thick)	1	W 01 631	Washer	2
W 01 630	Torsion Spring Ring (Thin)	1	W 01 628	Mechanism Slot - 110 mm	1
W 00 218	Pin Bolt - M16 X 1.5 / 120 mm	1	W 00 212	Calibration Bolt - (With Pin) - 87 mm	1
W 00 222	Tappet Boot	1	W 01 541	Grease - 5 g	1

W 00 715/1 Brake Caliper Repair Set Without Chrome Plated Pins

W 00 716

Brake Caliper Repair Set

**PAN 19-1
PAN 19-1 plus
PAN 22-1**



W 01 621	Adjusting Spring	1	W 00 223	Pin Boot	2
W 01 623	Locker Ring	1	W 00 803	Pin Bolt - M16 X 1.5 / 80 mm	1
W 01 624	Bevel Washer	1	W 00 226	Pin Bush - Ø 38 X 42 / 30 mm	3
W 01 625	Washer	1	W 00 406	Caliper Pin - Ø 38 / 76 mm	1
W 01 626	Bottom Washer	1	W 00 862	Caliper Pin - Ø 38 / 118 mm	1
W 01 627	Clips	1	W 00 888	Pin Cap - Ø 42 / 17 mm	1
W 01 622	Torsion Spring	1	W 00 889	Pin Cap - Ø 42 / 28 mm	1
W 01 629	Torsion Spring Ring (Thick)	1	W 01 631	Washer	2
W 01 630	Torsion Spring Ring (Thin)	1	W 00 720	Calibration Bolt - (With Groove) - 80.4 mm	1
W 00 218	Pin Bolt - M16 X 1.5 / 120 mm	1	W 01 632	Mechanism Slot - 115 mm	1
W 00 222	Tappet Boot	1	W 01 541	Grease - 5 g	1

W 00 716/1 Brake Caliper Repair Set Without Chrome Plated Pins

W 00 717

Brake Caliper Repair Set

**PAN 19-1
PAN 19-1 plus
PAN 22-1**



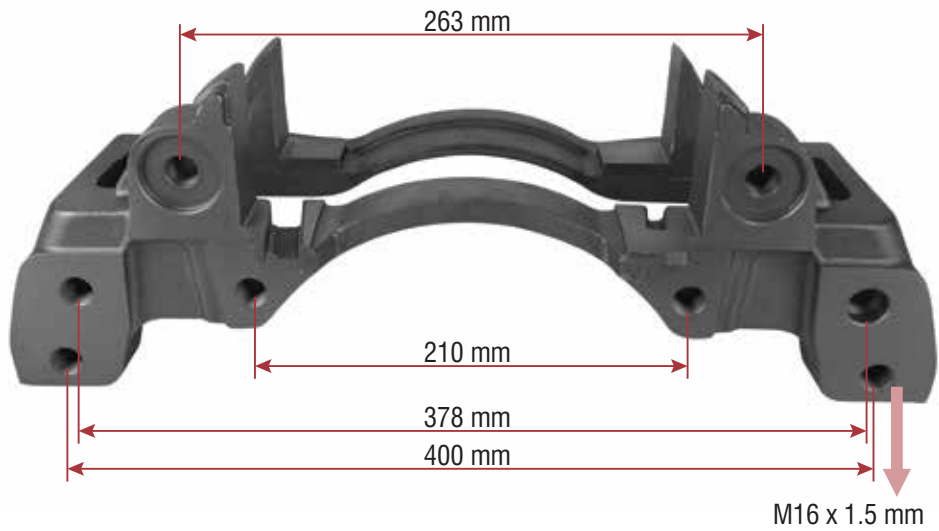
W 01 621	Adjusting Spring	1	W 00 223	Pin Boot	2
W 01 623	Locker Ring	1	W 00 803	Pin Bolt - M16 X 1.5 / 80 mm	1
W 01 624	Bevel Washer	1	W 00 226	Pin Bush - Ø 38 X 42 / 30 mm	3
W 01 625	Washer	1	W 00 406	Caliper Pin - Ø 38 / 76 mm	1
W 01 626	Bottom Washer	1	W 00 862	Caliper Pin - Ø 38 / 118 mm	1
W 01 627	Clips	1	W 00 888	Pin Cap - Ø 42 / 17 mm	1
W 01 622	Torsion Spring	1	W 00 889	Pin Cap - Ø 42 / 28 mm	1
W 01 629	Torsion Spring Ring (Thick)	1	W 01 631	Washer	2
W 01 630	Torsion Spring Ring (Thin)	1	W 00 213	Calibration Bolt - (With Groove) - 87 mm	1
W 00 218	Pin Bolt - M16 X 1.5 / 120 mm	1	W 01 628	Mechanism Slot - 110 mm	1
W 00 222	Tappet Boot	1	W 01 541	Grease - 5 g	1

W 00 717/1 Brake Caliper Repair Set Without Chrome Plated Pins

W 01 985

Caliper Carrier Left

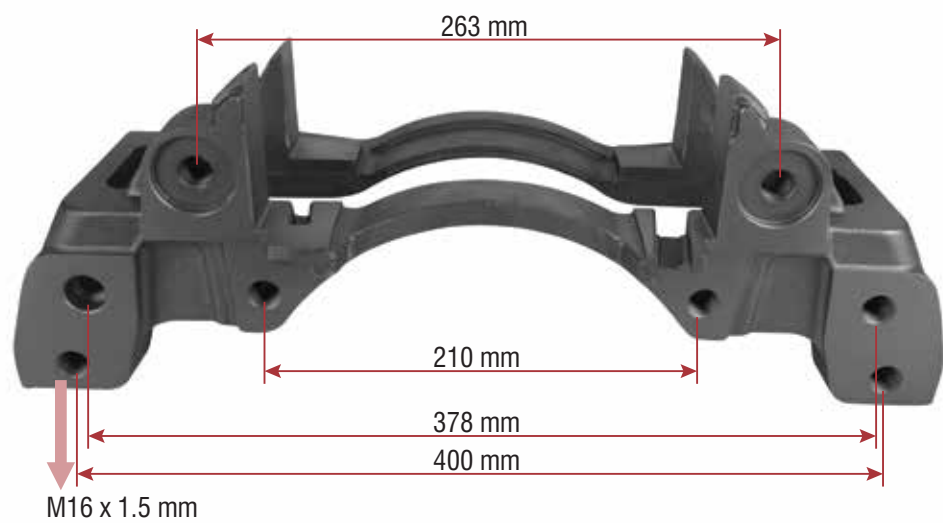
PAN 19-1
PAN 19-1 plus
PAN 22-1



W 01 986

Caliper Carrier Right

PAN 19-1
PAN 19-1 plus
PAN 22-1





wisGROUP

Impressive CV Spare Parts

**FOR WABCO 19.5"/22.5"
DOUBLE PISTON**

www.wisgroup.com.tr

W 00 989

Caliper Boot Repair Kit

**PAN 19-2
PAN 22-2**



W 01 418	Tappet	2
W 01 419	Ring	2
W 01 420	Tappet Boot	2
W 01 631	Washer	2
W 00 224	Pin Boot (White)	2

W 00 989/1 Caliper Boot Repair Kit Without Chrome Plated Tappets

W 00 488

Caliper Boot & Pin Repair Kit

12 999 746

PAN 19-2

W 00 224	Pin Boot (White)	2
W 00 862	Caliper Pin - Ø 38 / 118 mm	1
W 00 218	Pin Bolt - M16 X 1.5 / 120 mm	1
W 01 418	Tappet	2
W 01 419	Ring	2
W 01 420	Tappet Boot	2
W 00 888	Pin Cap - Ø 42 / 17 mm	1
W 00 803	Pin Bolt - M16 X 1.5 / 80 mm	1
W 00 889	Pin Cap - Ø 42 / 28 mm	1
W 00 406	Caliper Pin - Ø 38 / 76 mm	1
W 01 614	Caliper Head Cap	2
W 01 631	Washer	2
W 00 226	Pin Bush - Ø 38 X 42 / 30 mm	3
W 01 541	Grease - 5 g	1



W 00 488/1 Caliper Boot & Pin Repair Kit Without Chrome Plated Pins and Tappets

W 00 990

Caliper Boot & Pin Repair Kit

PAN 19-2



W 01 418	Tappet	2
W 01 419	Ring	2
W 01 420	Tappet Boot	2
W 00 862	Caliper Pin - Ø 38 / 118 mm	1
W 00 803	Pin Bolt - M16 X 1.5 / 80 mm	1
W 00 406	Caliper Pin - Ø 38 / 76 mm	1
W 01 614	Caliper Head Cap	2
W 00 224	Pin Boot (White)	2
W 00 218	Pin Bolt - M16 X 1.5 / 120 mm	1
W 01 631	Washer	2
W 01 541	Grease - 5 g	1

W 00 990/1 Caliper Boot & Pin Repair Kit Without Chrome Plated Pins and Tappets

W 00 926**Caliper Tappet & Boot Set****PAN 19-2
PAN 22-2**

W 01 418	Tappet	2
W 01 419	Ring	2
W 01 420	Tappet Boot	2

W 00 926/1 Caliper Tappet & Boot Set Without Chrome Plated Tappets**W 01 432****Caliper Pin Repair Kit****12 999 678****PAN 22-2**

W 01 438	Caliper Pin - Ø 38 / 128 mm	1
W 01 439	Caliper Pin - Ø 38 / 70 mm	1
W 00 828	Pin Bolt - M16 X 1.5 / 130 mm	1
W 00 803	Pin Bolt - M16 X 1.5 / 80 mm	1
W 00 226	Pin Bush - Ø 38 X 42 / 30 mm	3
W 00 224	Pin Boot (White)	2
W 01 631	Washer	2
W 00 888	Pin Cap - Ø 42 / 17 mm	1
W 01 856	Ring - Ø 42 X 57 X 11 mm	1
W 00 914	Pin Bellow Cap	1
W 01 541	Grease - 5 g	1

**W 01 432/1 Caliper Pin Repair Kit Without Chrome Plated Pins****W 00 491****Caliper Boot & Pin Repair Kit****12 999 677****PAN 22-2**

W 01 418	Tappet	2
W 01 419	Ring	2
W 01 420	Tappet Boot	2
W 00 828	Pin Bolt - M16 X 1.5 / 130 mm	1
W 00 803	Pin Bolt - M16 X 1.5 / 80 mm	1
W 00 224	Pin Boot (White)	2
W 01 631	Washer	2
W 00 888	Pin Cap - Ø 42 / 17 mm	1
W 01 856	Ring - Ø 42 X 57 X 11 mm	1
W 00 914	Pin Bellow Cap	1
W 01 614	Caliper Head Cap	2
W 01 541	Grease - 5 g	1

W 00 491/1 Caliper Boot & Pin Repair Kit Without Chrome Plated Tappets

W 01 420

Caliper Tappet Boot

PAN 19-2
PAN 22-2



W 01 004

Caliper Roller Bearing Set

PAN 19-2
PAN 22-2



W 01 641	Roller Bearing	2
W 01 642	Roller Bearing	2

W 00 993

Caliper Roller Bearing Set

PAN 19-2
PAN 22-2



W 01 641	Roller Bearing	2
----------	----------------	---

W 00 994

Caliper Roller Bearing Set

PAN 19-2
PAN 22-2



W 01 642	Roller Bearing	2
----------	----------------	---

WABCO

19.5"
22.5"
Double
Piston

W 00 800

Caliper Calibration Bolt - L

**PAN 19-2
PAN 22-2**



W 00 799

Caliper Calibration Bolt - R

**PAN 19-2
PAN 22-2**



W 00 992

Caliper Calibration Bolt Set - L

**PAN 19-2
PAN 22-2**

W 00 800	Caliper Calibration Bolt - L	1
W 01 637	Calibration Bolt Locking Plate	1
W 01 638	Calibration Bolt Ring	1



W 00 991

Caliper Calibration Bolt Set - R

**PAN 19-2
PAN 22-2**



W 01 637	Calibration Bolt Locking Plate	1
W 01 638	Calibration Bolt Ring	1
W 00 799	Caliper Calibration Bolt - R	1

W 01 438

Caliper Pin - Ø 38 / 128 mm

PAN 22-2



W 01 438/1 Caliper Pin - Ø 38 / 128 mm Without Chrome Plated Pin

W 01 439

Caliper Pin - Ø 38 / 70 mm

PAN 22-2



W 01 439/1 Caliper Pin - Ø 38 / 70 mm Without Chrome Plated Pin

W 01 158

Caliper Shaft Housing Set

PAN 19-2

PAN 22-2



W 01 637	Calibration Bolt Locking Plate	2
W 00 799	Caliper Calibration Bolt - R	1
W 01 638	Calibration Bolt Ring	2
W 01 639	Caliper Shaft Housing	1
W 00 800	Caliper Calibration Bolt - L	1
W 01 640	Spring	2

W 01 156

Caliper Head Gasket Set

PAN 19-2

PAN 22-2

W 01 614	Caliper Head Cap	2
W 01 616	Caliper Head Seal	2
W 01 617	Caliper Head Bolt - M10 X 1 / 40 mm	2
W 01 636	Caliper Head Gasket	1
W 00 816	Bolt - M16 X 1.5 / 40 mm	5



WABCO

19.5"
22.5"
Double
Piston

W 00 998

Caliper Mechanism Gear Set - R

PAN 19-2
PAN 22-2



W 01 643	Mechanism Gear - R	2
----------	--------------------	---

W 00 997

Caliper Mechanism Gear Set - L

PAN 19-2
PAN 22-2



W 01 644	Mechanism Gear - L	2
----------	--------------------	---

W 01 070

Caliper Lever Mechanism Repair Kit

PAN 19-2
PAN 22-2



W 01 072	Lever Pin	1
W 01 649	Lever Gear	2
W 01 650	Mechanism	1
W 01 651	Bearing	1
W 01 652	Spring	1
W 01 653	Circlip	1
W 01 654	Circlip	2
W 01 655	Washer	1
W 01 656	Washer	1

W 01 002

Caliper Mechanism Repair Set

PAN 19-2
PAN 22-2

W 01 616	Caliper Head Seal	2
W 01 643	Mechanism Gear - R	1
W 01 644	Mechanism Gear - L	1
W 01 645	Mechanism Pin	2
W 01 646	Spring	2
W 01 647	Washer	4
W 01 648	Circlip	2



W 01 067

Caliper Lever Kit

**PAN 19-2
PAN 22-2**



W 01 066	Caliper Lever	1
W 01 641	Roller Bearing	2
W 01 642	Roller Bearing	2

W 01 068

Caliper Lever With Mechanism

**PAN 19-2
PAN 22-2**

W 01 072	Lever Pin	1
W 01 649	Lever Gear	2
W 01 650	Mechanism	1
W 01 651	Bearing	1
W 01 652	Spring	1
W 01 653	Circlip	1
W 01 654	Circlip	2
W 01 655	Washer	1
W 01 656	Washer	1
W 01 066	Caliper Lever	1



W 01 071

Caliper Lever Gear Set

**PAN 19-2
PAN 22-2**



W 01 649	Caliper Lever Gear	2
-----------------	--------------------	---

W 00 999

Caliper Mechanism Pin Set

**PAN 19-2
PAN 22-2**



W 01 645	Mechanism Pin	2
W 01 647	Washer	4
W 01 648	Circlip	2



WABCO

**19.5"
22.5"
Double
Piston**

W 01 072

Caliper Lever Pin

**PAN 19-2
PAN 22-2**



W 01 065

Caliper Bearing Saddle

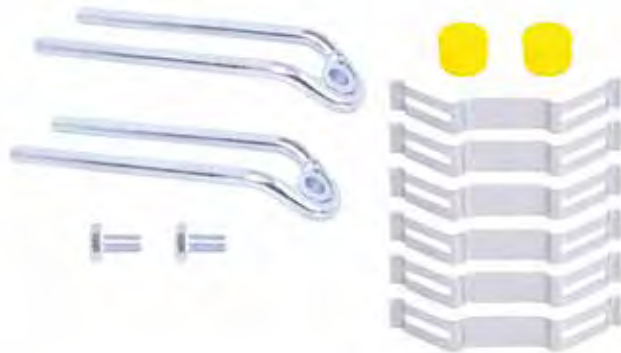
**PAN 19-2
PAN 22-2**



W 01 435

Caliper Brake Pad Retainer Kit

**PAN 19-2
PAN 22-2**



W 00 489

Caliper Boot & Pin Repair Kit

12 999 678

**PAN 19-2
PAN 22-2**



W 00 224	Pin Boot (White)	2
W 00 226	Pin Bush - Ø 38 X 42 / 30 mm	3
W 01 631	Washer	2
W 00 803	Pin Bolt - M16 X 1.5 / 80 mm	1
W 00 888	Pin Cap - Ø 42 / 17 mm	1
W 00 828	Pin Bolt - M16 X 1.5 / 130 mm	1
W 00 864	Caliper Pin - Ø 38 / 128 mm	1
W 00 863	Caliper Pin - Ø 38 / 70 mm	1
W 00 914	Pin Bellow Cap	1
W 00 878	Bronze Bushing Ø 42 x 38 x 20	1
W 01 856	Ring -Ø 42 X 57 X 11 mm	1

W 00 489/1 Caliper Boot & Pin Repair Kit Without Chrome Plated Pins

W 01 418

Tappet

**PAN 19-2
PAN 22-2**



W 01 418/1 Caliper Pin - Ø 38 / 128 mm Without Chrome Plated Tappet

W 01 419

Ring

**PAN 19-2
PAN 22-2**



W 00 798

Caliper Shaft Housing Set

**PAN 19-2
PAN 22-2**

W 01 639	Caliper Shaft Housing	1
W 01 640	Spring	2



W 01 069

Caliper Lever Gear Set

**PAN 19-2
PAN 22-2**



W 01 072	Lever Pin	1
W 01 649	Lever Gear	2
W 01 650	Mechanism	1
W 01 651	Bearing	1
W 01 652	Spring	1
W 01 653	Circlip	1
W 01 654	Circlip	2
W 01 655	Washer	1
W 01 656	Washer	1
W 01 066	Caliper Lever	1
W 01 641	Roller Bearing	2
W 01 642	Roller Bearing	2

W 00 995

Caliper Head Gasket Set

PAN 19-2
PAN 22-2



W 01 614	Caliper Head Cap	2
W 01 616	Caliper Head Seal	2
W 01 636	Caliper Head Gasket	1

WABCO

19.5"
22.5"
Double
Piston

W 00 996

Caliper Shaft Housing Set

PAN 19-2
PAN 22-2



W 00 799	Caliper Calibration Bolt - R	1
W 01 639	Caliper Shaft Housing	1
W 00 800	Caliper Calibration Bolt - L	1
W 01 640	Spring	2

W 01 483

Caliper Complete Repair Set

PAN 19-2



W 00 224	Pin Boot (White)	2
W 00 862	Caliper Pin - Ø 38 / 118 mm	1
W 00 218	Pin Bolt - M16 X 1.5 / 120 mm	1
W 01 418	Tappet	2
W 01 419	Ring	2
W 01 420	Tappet Boot	2
W 00 888	Pin Cap - Ø 42 / 17 mm	1
W 00 803	Pin Bolt - M16 X 1.5 / 80 mm	1
W 00 889	Pin Cap - Ø 42 / 28 mm	1
W 00 406	Caliper Pin - Ø 38 / 76 mm	1
W 01 614	Caliper Head Cap	2
W 01 631	Washer	2
W 00 226	Pin Bush - Ø 38 X 42 / 30 mm	3
W 01 637	Calibration Bolt Locking Plate	2
W 00 799	Caliper Calibration Bolt - R	1
W 01 638	Calibration Bolt Ring	2
W 01 639	Caliper Shaft Housing	1
W 00 800	Caliper Calibration Bolt - L	1
W 01 640	Spring	2
W 01 614	Caliper Head Cap	2
W 01 616	Caliper Head Seal	2
W 01 617	Caliper Head Bolt - M10 X 1 / 40 mm	2
W 01 636	Caliper Head Gasket	1
W 00 816	Bolt - M16 X 1.5 / 40 mm	5
W 01 642	Roller Bearing	2
W 01 641	Roller Bearing	2
W 01 616	Caliper Head Seal	2
W 01 643	Mechanism Gear - R	1
W 01 644	Mechanism Gear - L	1
W 01 645	Mechanism Pin	2
W 01 646	Spring	2
W 01 647	Washer	4
W 01 648	Circlip	2
W 01 072	Lever Pin	1
W 01 649	Lever Gear	2
W 01 650	Mechanism	1
W 01 651	Bearing	1
W 01 652	Spring	1
W 01 653	Circlip	1
W 01 654	Circlip	2
W 01 655	Washer	1
W 01 656	Washer	1
W 01 066	Caliper Lever	1
W 01 065	Caliper Bearing Saddle	1
W 01 541	Grease - 5 g	1

WABCO

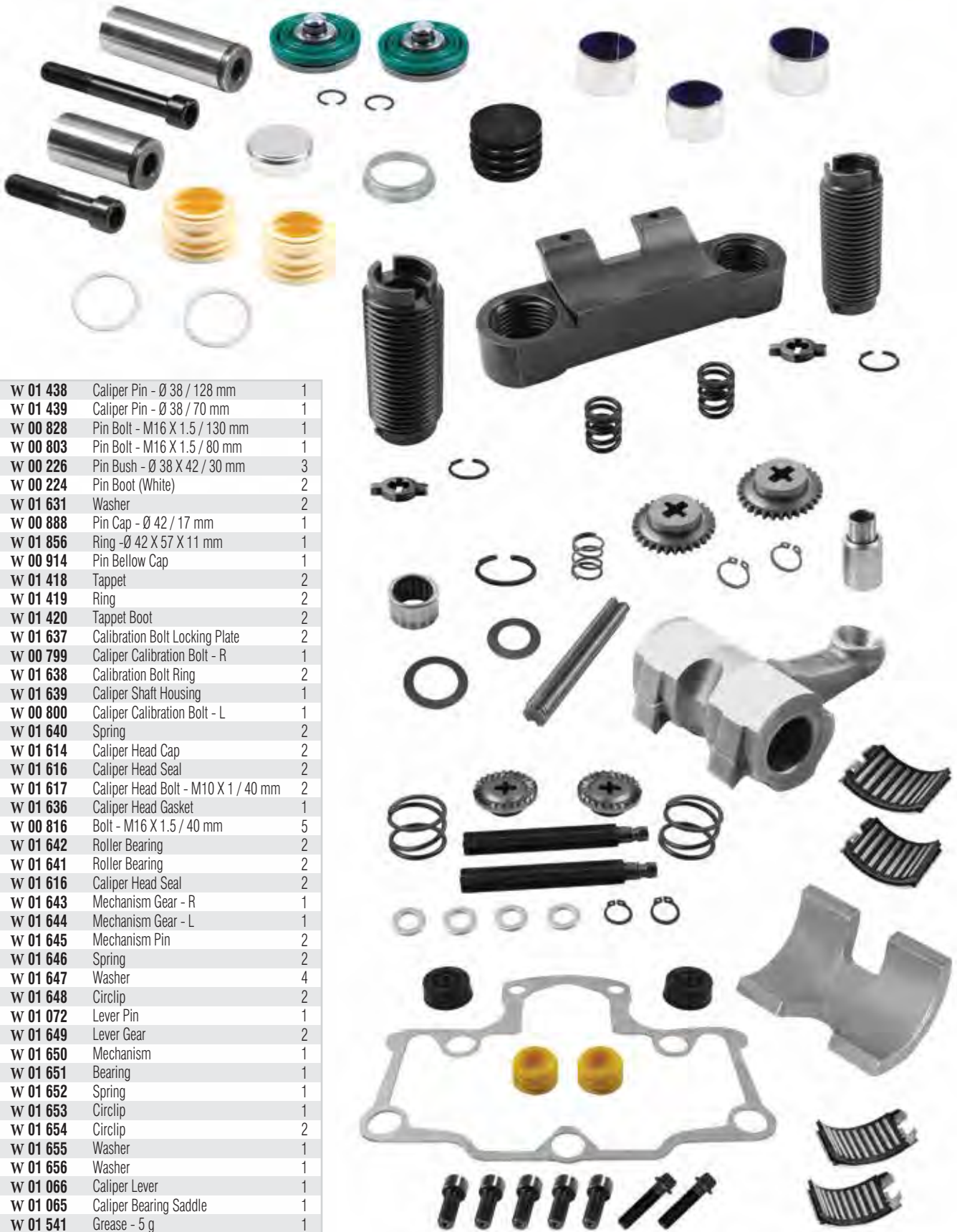
19.5"
22.5"
Double
Piston

W 01 483/1 Caliper Complete Repair Set Without Chrome Plated Pins

W 01 486

Caliper Complete Repair Kit

PAN 22-2



W 01 438	Caliper Pin - Ø 38 / 128 mm	1
W 01 439	Caliper Pin - Ø 38 / 70 mm	1
W 00 828	Pin Bolt - M16 X 1.5 / 130 mm	1
W 00 803	Pin Bolt - M16 X 1.5 / 80 mm	1
W 00 226	Pin Bush - Ø 38 X 42 / 30 mm	3
W 00 224	Pin Boot (White)	2
W 01 631	Washer	2
W 00 888	Pin Cap - Ø 42 / 17 mm	1
W 01 856	Ring - Ø 42 X 57 X 11 mm	1
W 00 914	Pin Bellow Cap	1
W 01 418	Tappet	2
W 01 419	Ring	2
W 01 420	Tappet Boot	2
W 01 637	Calibration Bolt Locking Plate	2
W 00 799	Caliper Calibration Bolt - R	1
W 01 638	Calibration Bolt Ring	2
W 01 639	Caliper Shaft Housing	1
W 00 800	Caliper Calibration Bolt - L	1
W 01 640	Spring	2
W 01 614	Caliper Head Cap	2
W 01 616	Caliper Head Seal	2
W 01 617	Caliper Head Bolt - M10 X 1 / 40 mm	2
W 01 636	Caliper Head Gasket	1
W 00 816	Bolt - M16 X 1.5 / 40 mm	5
W 01 642	Roller Bearing	2
W 01 641	Roller Bearing	2
W 01 616	Caliper Head Seal	2
W 01 643	Mechanism Gear - R	1
W 01 644	Mechanism Gear - L	1
W 01 645	Mechanism Pin	2
W 01 646	Spring	2
W 01 647	Washer	4
W 01 648	Circlip	2
W 01 072	Lever Pin	1
W 01 649	Lever Gear	2
W 01 650	Mechanism	1
W 01 651	Bearing	1
W 01 652	Spring	1
W 01 653	Circlip	1
W 01 654	Circlip	2
W 01 655	Washer	1
W 01 656	Washer	1
W 01 066	Caliper Lever	1
W 01 065	Caliper Bearing Saddle	1
W 01 541	Grease - 5 g	1

W 01 486/1 Cal'per Complete Repa'r K't W'thout Chrome Plated P'ns



Impressive CV Spare Parts

**FOR WABCO
MAXX 22**

W 01 443

Caliper Lever



W 00 709

Caliper Boot Set



W 00 222	Tappet Boot	1
W 00 224	Pin Boot (White)	2

W 00 708

Caliper Boot Set



W 00 222	Tappet Boot	1
W 00 223	Pin Boot	2

W 01 471

Caliper Tapet Boot & Cap

640 322 932 2



W 00 222	Tappet Boot	1
W 01 614	Caliper Head Cap	1

W 01 448

Caliper Boot & Pin Bush Repair Kit



W 01 441	Pin Bush - Ø 42 X 38 8 35 mm	3
W 00 888	Pin Cap - Ø 42 / 17 mm	2
W 00 222	Tappet Boot	1
W 00 223	Pin Boot (Green)	2
W 01 631	Washer	2
W 01 614	Caliper Head Cap	1
W 01 541	Grease - 5 g	2

W 00 190

Caliper Boot Set



W 00 222	Tappet Boot	1
W 00 223	Pin Boot	2
W 01 631	Washer	2

W 01 440

Caliper Boot & Pin Repair Kit

640 322 926 2



W 00 862	Caliper Pin - Ø 38 / 118 mm	1
W 00 406	Caliper Pin - Ø 38 / 76 mm	1
W 00 218	Pin Bolt - M16 X 1.5 / 120 mm	1
W 00 803	Pin Bolt - M16 X 1.5 / 80 mm	1
W 01 441	Pin Bush - Ø42 X 38.8 X 35 mm	3
W 00 888	Pin Cap - Ø 42 / 17 mm	2
W 00 222	Tappet Boot	1
W 00 223	Pin Boot (Green)	2
W 01 631	Washer	2
W 01 614	Caliper Head Cap	1
W 01 541	Grease - 5 g	2

W 01 440/1 Caliper Boot & Pin Repair Kit Without Chrome Plated Pins

W 02 043

Calibration Bolt



W 02 044

Caliper Complete Mechanism Set

W 01 454	Bevel Washer (Small)	3
W 01 455	Bevel Washer (Big)	1
W 01 456	Washer	1
W 01 457	Clips (Small)	1
W 01 458	Clips (Big)	1
W 01 452	Mechanism Slot	1
W 02 043	Calibration Bolt	1
W 01 460	Torsion Spring Ring(Thick)	1
W 01 459	Torsion Spring Ring(Thin)	1
W 01 453	Torsion Spring	1
W 01 461	Mechanism Gear	1
W 01 463	Mechanism Shield	1
W 01 464	Calibration Bolt Seal	1
W 01 449	Shaft Housing	1



W 01 449

Shaft Housing



W 01 469

Adjusting Mechanism Washer Set



W 01 454	Bevel Washer (Small)	3
W 01 455	Bevel Washer (Big)	1
W 01 456	Washer	1
W 01 457	Clips (Small)	1
W 01 458	Clips (Big)	1

W 01 444

Caliper Bearing Set



W 01 462	Caliper Needle Bearing	2
W 01 445	Lever Bearing	2
W 01 446	Roller Bearing	2

W01934

Caliper Needle Bearing Set



W 01 462	Caliper Needle Bearing	2
-----------------	------------------------	---

W 02 048

Caliper Lever



W 01 443	Caliper Lever	1
W 01 445	Lever Bearing	2
W 01 446	Roller Bearing	2

W 01 451**Caliper Adjusting Mechanism Set**

W 01 454	Bevel Washer (Small)	3
W 01 455	Bevel Washer (Big)	1
W 01 456	Washer	1
W 01 457	Clips (Small)	1
W 01 458	Clips (Big)	1
W 01 452	Mechanism Slot	1
W 02 043	Calibration Bolt	1
W 01 460	Torsion Spring Ring (Thick)	1
W 01 459	Torsion Spring Ring (Thin)	1
W 01 453	Torsion Spring	1
W 01 461	Mechanism Gear	1
W 01 463	Mechanism Shield	1
W 01 464	Calibration Bolt Seal	1

W 01 470**Adjusting Mechanism Shield Set**

W 01 463	Mechanism Shield	5
----------	------------------	---

W 01 475**Calibration Bolt Seal Set**

W 01 464	Calibration Bolt Seal	5
----------	-----------------------	---

W 01 476

Caliper Cover Seal Set



W 01 447 Cover Seal

5

W 02 045

Brake Lining Plate - L



W 02 046

Brake Lining Plate - R



W 02 375

Caliper Brake Pad Sensor

640 322 928 2



W 01 472

Caliper Manuel Adjusting Repair Kit



W 01 465	Adjuster Shaft	1
W 01 466	Adjuster Gear	1
W 01 473	Head Seal	1
W 01 614	Head Cap	1

W 01 480

Caliper Pad Retainer Kit



W 02 047

Caliper Cover Set



W 01 447	Cover Seal	1
W 01 605	Bolt	6
W 02 518	Cover	1

W 01 488

Caliper Complete Repair Set - L



W 00 862	Caliper Pin - Ø 38 / 118 mm	1
W 00 406	Caliper Pin - Ø 38 / 76 mm	1
W 00 218	Pin Bolt - M16 X 1.5 / 120 mm	1
W 00 803	Pin Bolt - M16 X 1.5 / 80 mm	1
W 01 441	Pin Bush - Ø42 X 38 8 35 mm	3
W 00 888	Pin Cap - Ø 42 / 17 mm	2
W 00 222	Tappet Boot	1
W 00 223	Pin Boot (Green)	2
W 01 631	Washer	2
W 01 614	Caliper Head Cap	1
W 02 045	Brake Lining Plate - L	1
W 01 454	Bevel Washer (Small)	3
W 01 455	Bevel Washer (Big)	1
W 01 456	Washer	1
W 01 457	Clips (Small)	1
W 01 458	Clips (Big)	1
W 01 452	Mechanism Slot	1
W 02 043	Calibration Bolt	1
W 01 460	Torsion Spring Ring (Thick)	1
W 01 459	Torsion Spring Ring (Thin)	1
W 01 453	Torsion Spring	1
W 01 461	Mechanism Gear	1
W 01 463	Mechanism Shield	1
W 01 464	Calibration Bolt Seal	1
W 01 449	Shaft Housing	1
W 01 462	Caliper Needle Bearing	2
W 01 443	Caliper Lever	1
W 01 445	Lever Bearing	2
W 01 446	Roller Bearing	2
W 01 447	Cover Seal	1
W 01 605	Bolt	6
W 01 465	Adjuster Shaft	1
W 01 466	Adjuster Gear	1
W 01 473	Head Seal	1
W 01 541	Grease - 5 g	1

W 01 488/1 Caliper Complete Repair Set - L Without Chrome Plated Pins

WABCO

MAXX 22

W 01 489

Caliper Complete Repair Set - R



W 00 862	Caliper Pin - Ø 38 / 118 mm	1
W 00 406	Caliper Pin - Ø 38 / 76 mm	1
W 00 218	Pin Bolt - M16 X 1.5 / 120 mm	1
W 00 803	Pin Bolt - M16 X 1.5 / 80 mm	1
W 01 441	Pin Bush - Ø42 X 38 Ø 35 mm	3
W 00 888	Pin Cap - Ø 42 / 17 mm	2
W 00 222	Tappet Boot	1
W 00 223	Pin Boot (Green)	2
W 01 631	Washer	2
W 01 614	Caliper Head Cap	1
W 02 046	Brake Lining Plate - R	1
W 01 454	Bevel Washer (Small)	3
W 01 455	Bevel Washer (Big)	1
W 01 456	Washer	1
W 01 457	Clips (Small)	1
W 01 458	Clips (Big)	1
W 01 452	Mechanism Slot	1
W 02 043	Calibration Bolt	1
W 01 460	Torsion Spring Ring (Thick)	1
W 01 459	Torsion Spring Ring (Thin)	1
W 01 453	Torsion Spring	1
W 01 461	Mechanism Gear	1
W 01 463	Mechanism Shield	1
W 01 464	Calibration Bolt Seal	1
W 01 449	Shaft Housing	1
W 01 462	Caliper Needle Bearing	2
W 01 443	Caliper Lever	1
W 01 445	Lever Bearing	2
W 01 446	Roller Bearing	2
W 01 447	Cover Seal	1
W 01 605	Bolt	6
W 01 465	Adjuster Shaft	1
W 01 466	Adjuster Gear	1
W 01 473	Head Seal	1
W 01 541	Grease - 5 g	1

W 01 489/1 Caliper Complete Repair Set - R Without Chrome Plated Pins



Impressive CV Spare Parts

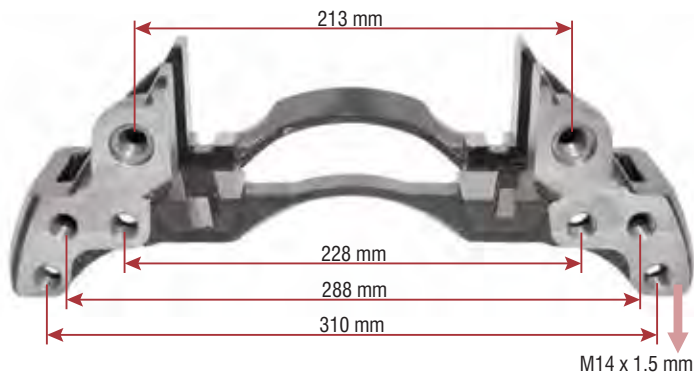
**FOR WABCO
CARRIERS**

www.wisgroup.com.tr

W 01 983

Caliper Carrier Left

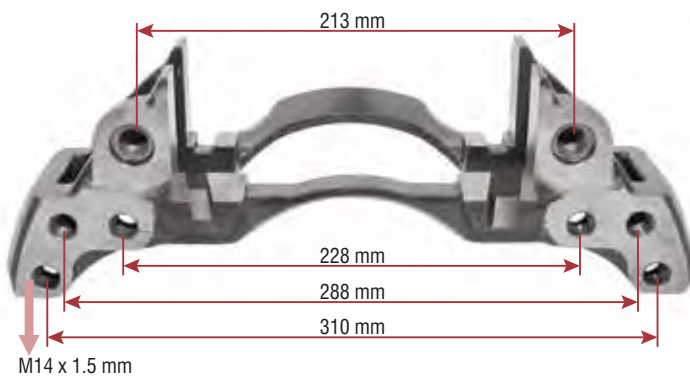
17.5"



W 01 984

Caliper Carrier Right

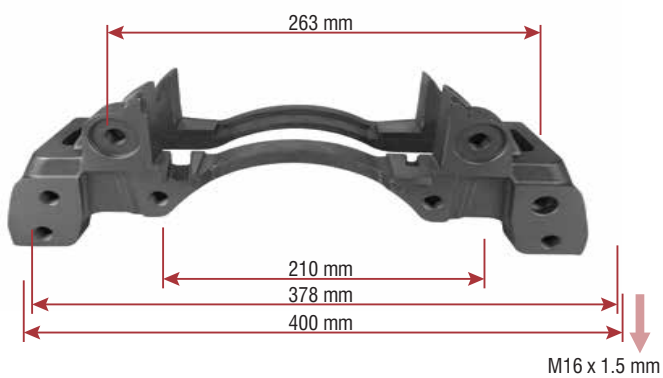
17.5"



W 01 985

Caliper Carrier Left

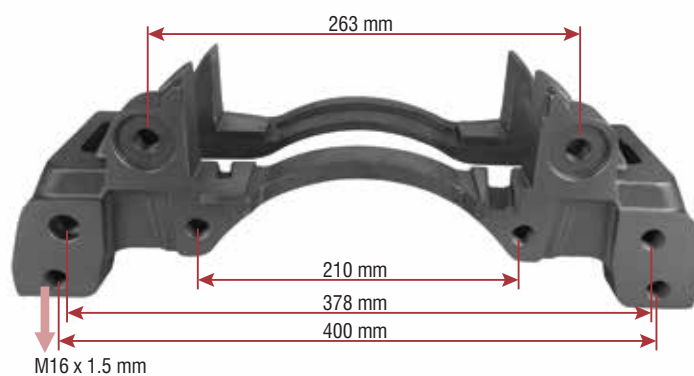
22.5"



W 01 986

Caliper Carrier Right

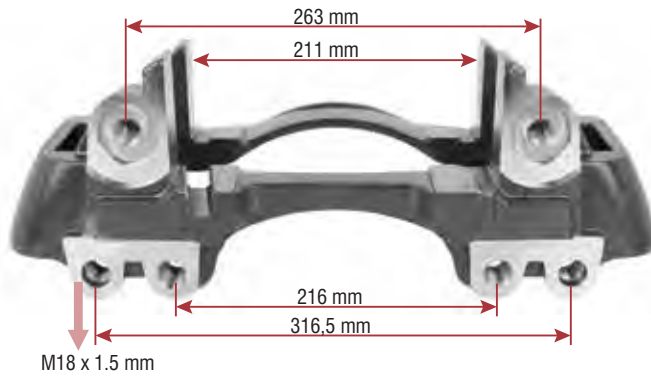
22.5"



W 02 401

Caliper Carrier 22,5" Left

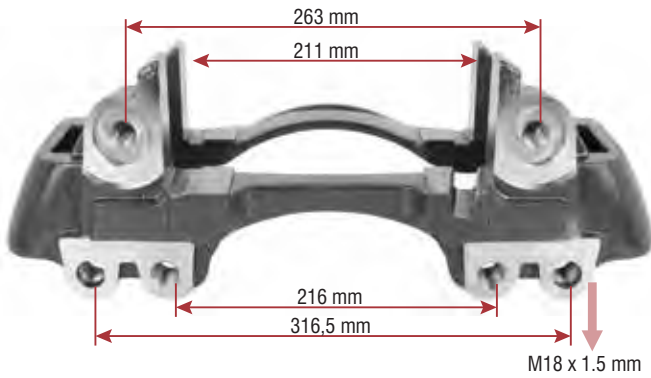
SAF Trailer Axle - 4 Hole



W 02 402

Caliper Carrier 22,5" Right

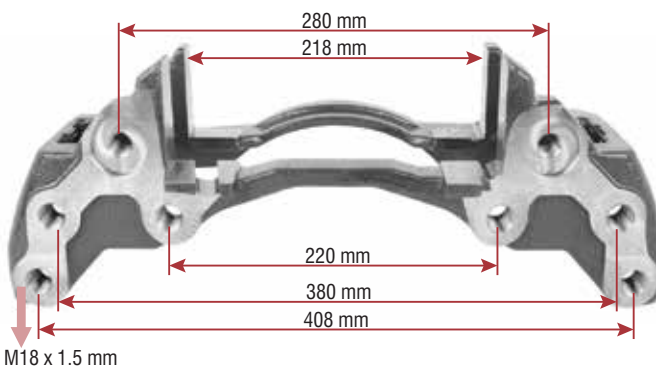
SAF Trailer Axle - 4 Hole



W 02 403

Caliper Carrier 22,5" Left

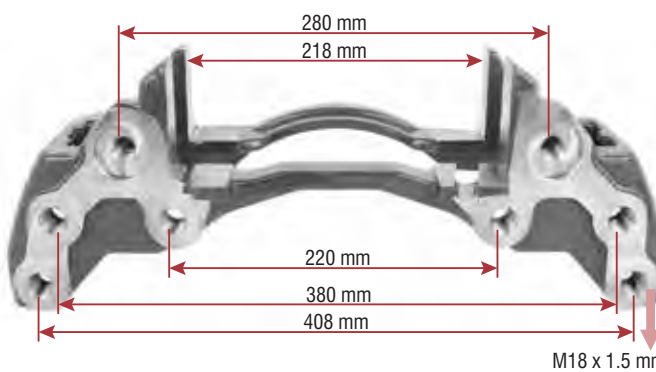
MAXX 22



W 02 404

Caliper Carrier 22,5" Right

MAXX 22



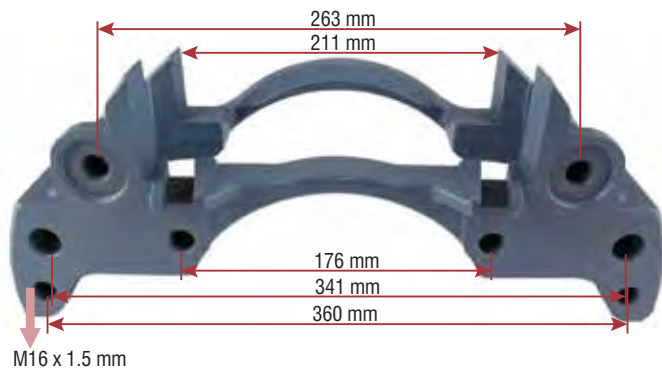
WABCO

CARRIERS

W 02 405

Caliper Carrier 19,5" Left / Right

SAF Trailer Axle





Impressive CV Spare Parts

**FOR WABCO
17.5"/ 1000 V-G
19.5"/ 1300 V-G**

W 00 490

Caliper Pin Repair Kit

12 999 729
Per Axle

1000 V-G



W 00 858	Caliper Pin - Ø 24,6 / 81 mm	2
W 00 859	Caliper Pin - Ø 25 / 81 mm	2
W 00 879	Pin Bush - Ø 25 X 28 / 15 mm	8
W 00 372	Pin Cap - Ø28/ 16 mm	4
W 01 657	Pin Bolt - M12 X 1.5 / 90 mm	4
W 01 658	Tappet Boot	2
W 01 659	Pin Boot	4
W 01 660	Seal	2
W 01 661	O-Ring	2
W 01 662	Rubber Cap	2
W 01 663	Bolt	2
W 01 664	Spring	2
W 01 541	Grease - 5 g	2

W 00 490/1 Cal'per P'n Repa'r K't W'thout Chrome Plated P'ns

W 01 978**Caliper Boot Repair Kit****1300 V-G**

W 01 427	Piston Boot	1
W 01 498	Pin Boot	2

W 01 436**Caliper Boot & Seal Repair Kit****1300 V-G**

W 01 427	Piston Boot	1
W 01 498	Pin Boot	2
W 01 425	Spline Shaft Cover	1
W 01 437	Spline Shaft Seal	1
W 01 433	Bevel Seal	1
W 01 967	Plate Bolt	1
W 01 968	Plate Spring	1
W 01 416	Plug	1

W 01 493**Caliper Pin Repair Kit****1300 V-G**

W 01 494	Caliper Pin Ø 35 / 110 mm	1
W 01 495	Caliper Pin Ø 34,8 / 98,5 mm	1
W 01 496	Pin Bolt - M16 X 1,5 / 110 mm	2
W 01 497	Pin Bush - Ø 35 X 39 / 20 mm	3
W 00 888	Pin Cap - Ø 42 / 17 mm	2
W 01 498	Pin Boot	2
W 01 541	Grease - 5 g	2

W 01 493/1 Caliper Pin Repair Kit Without Chrome Plated Pins

W 01 971**Caliper Brake Lining Plate Set****1300 V-G**

W 01 972	Brake Lining Plate	1
W 01 967	Plate Bolt	1
W 01 968	Plate Spring	1

**W 01 971****Caliper Lever****1300 V-G****W 01 980****Caliper Seal & Bearing Set****1300 V-G**

W 01 425	Spline Shaft Cover	1
W 01 437	Spline Shaft Seal	1
W 01 433	Bevel Seal	1
W 01 975	Washer	1
W 01 976	Trust Washer	2
W 01 977	Trust Bearing	1
W 01 979	Clips	1

W 02 204**Caliper Pin Repair Kit****12 999 734VT
4054200076**

W 01 494	Caliper Pin Ø 35 / 110 mm	1
W 01 495	Caliper Pin Ø 34,8 / 98,5 mm	1
W 01 496	Pin Bolt - M16 X 1.5 / 110 mm	2
W 01 497	Pin Bush - Ø 35 X 39 / 20 mm	3
W 00 888	Pin Cap - Ø 42 / 17 mm	2
W 01 498	Pin Boot	2
W 01 416	Plug	1
W 01 541	Grease - 5 g	1

W 02 204/1 Caliper Pin Repair Kit Without Chrome Plated Pins

W 01 969

Caliper Piston Repair Kit - L

1300 V-G



W 01 490	Piston - L	1
W 01 427	Piston Boot	1
W 02 068	Cover Boot - M12 X 1.5 / 50 mm	4
W 01 967	Plate Bolt	1
W 01 968	Plate Spring	1
W 01 492	Socket Pin	1
W 01 499	Socket Spring	1
W 01 500	Socket Plug	1

W 01 970

Caliper Piston Repair Kit - R

1300 V-G



W 01 491	Piston - R	1
W 01 427	Piston Boot	1
W 02 068	Cover Boot - M12 X 1.5 / 50 mm	4
W 01 967	Plate Bolt	1
W 01 968	Plate Spring	1
W 01 492	Socket Pin	1
W 01 499	Socket Spring	1
W 01 500	Socket Plug	1

WABCO

1000 V-G
1300 V-G

W 01 973**Caliper Spline Shaft Mechanism Set - L****1300 V-G**

W 01 484	Spline Shaft Mechanism - L	1
W 01 427	Piston Boot	1
W 02 068	Cover Bolt - M12 X 1.5 / 50 mm	4
W 01 425	Spline Shaft Cover	1
W 01 437	Spline Shaft Seal	1
W 01 433	Bevel Seal	1
W 01 975	Washer	1
W 01 976	Thrust Washer	2
W 01 977	Thrust Bearing	1
W 01 979	Clips	1
W 01 416	Plug	1

W 01 974**Caliper Spline Shaft Mechanism Set - R****1300 V-G**

W 01 485	Spline Shaft Mechanism - R	1
W 01 427	Piston Boot	1
W 02 068	Cover Bolt - M12 X 1.5 / 50 mm	4
W 01 425	Spline Shaft Cover	1
W 01 437	Spline Shaft Seal	1
W 01 433	Bevel Seal	1
W 01 975	Washer	1
W 01 976	Thrust Washer	2
W 01 977	Thrust Bearing	1
W 01 979	Clips	1
W 01 416	Plug	1

WABCO

1000 V-G
1300 V-G

W 01 981

Caliper Complete Repair Set - L

1300 V-G



WABCO

1000 V-G
1300 V-G

W 01 494	Caliper Pin Ø 35 / 110 mm	1
W 01 495	Caliper Pin Ø 34,8 / 98,5 mm	1
W 01 496	Pin Bolt - M16 X 1.5 / 110 mm	2
W 01 497	Pin Bush - Ø 35 X 39 / 20 mm	3
W 00 888	Pin Cap - Ø 42 / 17 mm	2
W 01 498	Pin Boot	2
W 01 484	Spline Shaft Mechanism - L	1
W 01 427	Piston Boot	1
W 02 068	Cover Bolt - M12 X 1.5 / 50 mm	4
W 01 425	Spline Shaft Cover	1
W 01 437	Spline Shaft Seal	1
W 01 433	Bevel Seal	1
W 01 975	Washer	1
W 01 976	Thrust Washer	2
W 01 977	Thrust Bearing	1
W 01 979	Clips	1
W 01 416	Plug	1
W 01 490	Piston - L	1
W 01 972	Brake Lining Plate	1
W 01 967	Plate Bolt	1
W 01 968	Plate Spring	1
W 01 492	Socket Pin	1
W 01 499	Socket Spring	1
W 01 500	Socket Plug	1
W 01 541	Grease - 5 g	2

W 01 981/1 Caliper Complete Repair Set - L Without Chrome Plated Pins

www.wisgroup.com.tr

W 01 982

Caliper Complete Repair Set - R

1300 V-G



W 01 494	Caliper Pin Ø 35 / 110 mm	1
W 01 495	Caliper Pin Ø 34,8 / 98,5 mm	1
W 01 496	Pin Bolt - M16 X 1.5 / 110 mm	2
W 01 497	Pin Bush - Ø 35 X 39 / 20 mm	3
W 00 888	Pin Cap - Ø 42 / 17 mm	2
W 01 498	Pin Boot	2
W 01 485	Spline Shaft Mechanism - R	1
W 01 427	Piston Boot	1
W 02 068	Cover Bolt - M12 X 1.5 / 50 mm	4
W 01 425	Spline Shaft Cover	1
W 01 437	Spline Shaft Seal	1
W 01 433	Bevel Seal	1
W 01 975	Washer	1
W 01 976	Thrust Washer	2
W 01 977	Thrust Bearing	1
W 01 979	Clips	1
W 01 416	Plug	1
W 01 491	Piston - R	1
W 01 972	Brake Lining Plate	1
W 01 967	Plate Bolt	1
W 01 968	Plate Spring	1
W 01 492	Socket Pin	1
W 01 499	Socket Spring	1
W 01 500	Socket Plug	1
W 01 541	Grease - 5 g	2

W 01 982/1 Caliper Complete Repair Set - R Without Chrome Plated Pins



Impressive CV Spare Parts

FOR HALDEX

www.wisgroup.com.tr

W 00 502

Caliper Cap Set

89927

MARK IV



W 00 896	Pin Cap - Ø 57 / 40 mm	2
-----------------	------------------------	---

W 02 083

Caliper Pin Repair Kit

89541

**MARK III
MARK IV**



W 00 819	Pin Bolt - M14 x 2 / 53 mm	4
W 00 865	Caliper Pin - Ø 35 / 70 mm	4
W 00 896	Pin Cap - Ø 57 / 40 mm	2
W 00 897	Steel Cap	4
W 01 795	Plastic Bush	4
W 01 796	Ring	8
W 01 797	Plug	2
W 00 149	Pin Boot	8
W 01 541	Grease - 5 g	2

W 02 083/1 Caliper Pin Repair Kit Without Chrome Plated Pins

W 01 210

Caliper Pin Repair Kit

87406

**MARK II
MARK III**



W 02 079	Caliper Pin - Ø 35 / 69 mm	4
W 02 080	Pin Bolt - M14 x 2 / 60 mm	4
W 00 149	Pin Boot	8
W 01 795	Plastic Bush	4
W 01 796	Ring	8
W 02 085	Steel Cap	4
W 01 797	Plug - (Mk III)	2
W 01 798	O-Ring - (Mk II)	2
W 01 803	Plug - (Mk II)	2
W 01 799	Bolt - (Mk II)	2
W 01 541	Grease - 5 g	2

W 01 210/1 Caliper Pin Repair Kit Without Chrome Plated Pins

W 01 211

Caliper Pin Bolt Repair Kit

94661

**MARK II
MARK III
MARK IV**



W 00 149	Pin Boot	8
W 01 796	Ring	8
W 01 795	Plastic Bush	4
W 02 085	Steel Cap	4
W 02 080	Pin Bolt - M14 x 2 / 60 mm	4
W 00 819	Pin Bolt - M14 x 2 / 53 mm	4
W 00 896	Pin Cap - Ø 57 / 40 mm - (Mk IV)	2
W 01 797	Plug - (Mk III)	2
W 01 798	O-Ring - (Mk II)	2
W 01 803	Plug - (Mk II)	2
W 01 799	Bolt - (Mk II)	2

W 02 084

Caliper Pin Repair Kit

**MARK III
MARK IV**



W 00 819	Pin Bolt - M14 x 2 / 53 mm	4
W 00 865	Caliper Pin - Ø 35 / 70 mm	4
W 01 796	Ring	8
W 01 795	Plastic Bush	4
W 01 797	Plug	2
W 00 149	Pin Boot	8

W 02 084/1 Caliper Pin Repair Kit Without Chrome Plated Pins

W 01 212

Caliper Bolt Set

**MARK III
MARK IV**



W 00 896	Pin Cap - Ø 57 / 40 mm	2
W 00 149	Pin Boot	8
W 01 795	Plastic Bush	4
W 01 796	Ring	8
W 01 797	Plug	2

W 01 213**Caliper Pin Boot & Plug Set****87680****MARK II
MARK III
MARK IV**

W 00 149	Pin Boot	8
W 01 795	Plastic Bush	4
W 01 796	Ring	8
W 02 085	Steel Cap	4
W 00 896	Pin Cap - Ø 57 / 40 mm - (Mk IV)	2
W 01 797	Plug - (Mk III)	2
W 01 798	O-Ring - (Mk II)	2
W 01 803	Plug - (Mk II)	2
W 01 799	Bolt - (Mk II)	2

W 01 214**Caliper Pin Boot & Plug Set****89723****MARK II
MARK III
MARK IV**

W 00 149	Pin Boot	2
W 01 795	Plastic Bush	1
W 01 796	Ring	2
W 02 085	Steel Cap	4
W 00 896	Pin Cap - Ø 57 / 40 mm - (Mk IV)	2
W 01 797	Plug - (Mk III)	2
W 01 798	O-Ring - (Mk II)	2
W 01 803	Plug - (Mk II)	2
W 01 799	Bolt - (Mk II)	2

**W 00 493****Caliper Boot & Plug Set****87405****MARK II
MARK III**

W 01 797	Plug (Mk III)	2
W 01 709	Tappet Boot 78,5 mm	2
W 01 428	Spring - 78,5 mm	2
W 01 798	O-ring (Mk II)	2
W 01 799	Bolt (Mk II)	2
W 01 801	Clips	2
W 01 803	Plug (Mk II)	2

W 00 763

Caliper Boot & Plug Set

94663

**MARK II
MARK III**



W 01 709	Tappet Boot - 78.5 mm	2
W 01 801	Clips	2
W 01 804	Seal	2
W 01 797	Plug - (Mk III)	2
W 01 798	O-Ring - (Mk II)	2
W 01 803	Plug - (Mk II)	2
W 01 799	Bolt - (Mk II)	2

W 01 219

Caliper Plug Set

89925

MARK III



W 01 797	Plug - (Mk III)	2
W 01 804	Seal	2

W 00 504

Caliper Adjuster Shaft Set

90693

MARK IV



W 01 797	Plug	2
W 01 804	Seal	2
W 01 805	Adjuster Shaft	2

W 02 407

Caliper Boot Set

94662

MARK IV



W 00 931	Tappet Boot 67 mm	2
W 01 801	Clips	2
W 01 797	Plug (Mk III)	1
W 02 408	Caliper Tappet Bush	2

W 00 506

Caliper Pad Retainer

90673

**MARK III
MARK IV**

W 02 074	Caliper Pad Retainer	1
W 02 075	Bolt - M10 x 1,5 / 25 mm	1



W 01 216

Caliper Pad Spring Kit

89924

**MARK II
MARK III
MARK IV**



W 02 082	Caliper Pad Spring	2
-----------------	--------------------	---

W 01 218

Caliper Pad Retainer Kit

91216

**MARK III
MARK IV**

W 02 074	Caliper Pad Retainer	1
W 02 075	Bolt - M10 x 1,5 / 25 mm	1
W 02 082	Caliper Pad Spring	2



W 01 220

Caliper Pad Retainer Kit

94659

**MARK III
MARK IV**



W 02 074	Caliper Pad Retainer	2
W 02 075	Bolt - M10 x 1,5 / 25 mm	2
W 02 082	Caliper Pad Spring	4
W 01 797	Plug - (Mk III)	2

W 01 222

Caliper Spring Set

94665

MARK IV



W 01 800	Spring - 67 mm	2
W 01 801	Clips	2

W 01 223

Caliper Spring & Plate Set

92731

MARK IV



W 01 800	Spring - 67 mm	2
W 01 806	Caliper Tappet Plate	1
W 01 801	Clips	2

W 00 492

Caliper Boot Set

89794

MARK IV



W 00 931	Tappet Boot 67 mm	2
W 01 800	Spring 67 mm	2
W 01 801	Clips	2

W 01 221**Caliper Tappet Plate & Bolt Set****94664****MARK IV**

W 00 931	Tappet Boot - 67 mm	2
W 01 806	Caliper Tappet Plate	1
W 00 730	Caliper Calibration Bolt	2
W 01 797	Plug	1
W 01 801	Clips	2

W 00 741**Caliper Shaft Housing Set****MARK III**

W 02 086	Caliper Shaft Housing	1
W 01 813	Caliper Spring	1

W 01 225**Caliper Shaft Housing Set****MARK III**

W 02 086	Caliper Shaft Housing	1
W 01 813	Caliper Spring	1
W 02 087	Caliper Ring	2
W 02 088	Caliper Washer	2

W 01 224

Caliper Mechanism Cap

MARK III



W 01 226

Caliper Tappet & Calibration Bolt Set

MARK III



W 02 091	Tappet & Calibration Bolt - L	1
W 02 092	Tappet & Calibration Bolt - R	1

W 01 227

Caliper Adjusting Mechanism

MARK III



W 01 230

Caliper Lever

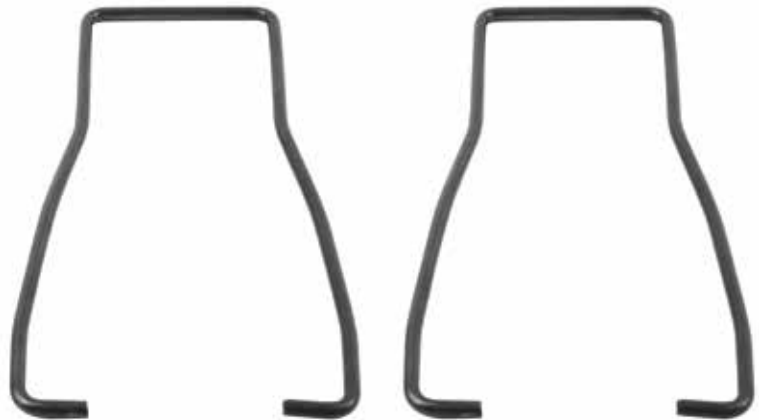
MARK III



W 01 233

Caliper Mechanism Clamp

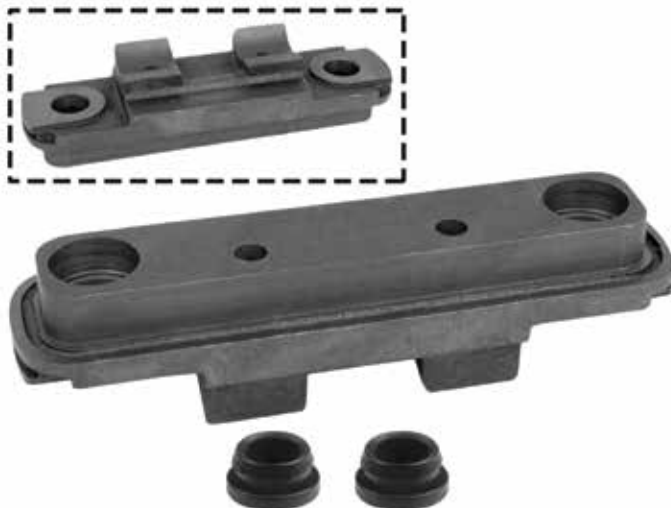
MARK III



W 01 234

Caliper Mechanism Locker Plate Set

MARK III



W 02 093	Mechanism Locker Plate	1
W 01 797	Plug	2

W 01 228

Caliper Calibration Gear - L

MARK III



W 01 229

Caliper Calibration Gear - R

MARK III



W 01 933

Caliper Needle Bearing Set

MARK III



W 02 089 Caliper Needle Bearing 2

W 01 932

Caliper Needle Bearing Set

MARK III



W 02 090 Caliper Needle Bearing 2

W 01 412**Caliper Complete Mechanism Set****MARK III**

W 01 709	Tappet Boot - 78.5 mm	2
W 01 428	Spring - 78.5 mm	2
W 02 091	Tappet & Calibration Bolt - L	1
W 02 092	Tappet & Calibration Bolt - R	1
W 01 224	Caliper Mechanism Cap	1
W 01 233	Caliper Mechanism Clamp	1
W 01 227	Caliper Adjusting Mechanism	1
W 01 228	Caliper Calibration Gaer - L	1
W 01 229	Caliper Calibration Gaer - R	1
W 02 086	Caliper Shaft Housing	1
W 01 813	Caliper Spring	1
W 02 087	Caliper Ring	2
W 02 088	Caliper Washer	2
W 02 089	Caliper Needle Bearing	2
W 01 230	Caliper Lever	1
W 02 090	Caliper Needle Bearing	2
W 02 093	Mechanism Locker Plate	1
W 01 797	Plug	2

W 01 235**Caliper Complete Repair Set****MARK III**

W 01 709	Tappet Boot - 78.5 mm	2	W 02 093	Mechanism Locker Plate	1
W 01 428	Spring - 78.5 mm	2	W 01 797	Plug	2
W 02 091	Tappet & Calibration Bolt - L	1	W 02 079	Caliper Pin - Ø 35 / 69 mm	4
W 02 092	Tappet & Calibration Bolt - R	1	W 02 080	Pin Bolt - M14 x 2 / 60 mm	4
W 01 224	Caliper Mechanism Cap	1	W 00 149	Pin Boot	8
W 01 233	Caliper Mechanism Clamp	1	W 01 795	Plastic Bush	4
W 01 227	Caliper Adjusting Mechanism	1	W 01 796	Ring	8
W 01 228	Caliper Calibration Gaer - L	1	W 02 085	Steel Cap	4
W 01 229	Caliper Calibration Gaer - R	1	W 01 797	Plug - (Mk III)	2
W 02 086	Caliper Shaft Housing	1	W 01 798	O-Ring - (Mk II)	2
W 01 813	Caliper Spring	1	W 01 803	Plug - (Mk II)	2
W 02 087	Caliper Ring	2	W 01 799	Bolt - (Mk II)	2
W 02 088	Caliper Washer	2	W 01 541	Grease - 5 g	2
W 02 089	Caliper Needle Bearing	2	W 02 074	Caliper Pad Retainer	1
W 01 230	Caliper Lever	1	W 02 075	Bolt - M10 x 1.5 / 25 mm	1
W 02 090	Caliper Needle Bearing Set	2	W 02 082	Caliper Pad Spring	2

W 01 235/1 Caliper Complete Repair Set Without Chrome Plated Pins

W 01 198

Caliper Shaft Housing Set

MARK IV



W 01 199	Shaft Housing	1
W 01 813	Spring	1
W 01 814	Circlip	1
W 01 815	Wavy Washer	1
W 01 816	Washer	1

W 01 196

Caliper Tappet Plate & Bolt Set

MARK IV



W 01 801	Clips	2
W 01 806	Caliper Tappet Plate	1
W 00 730	Caliper Calibration Bolt	2

W 01 236

Caliper Mechanism Locker Plate Set

MARK IV



W 02 077	Caliper Mechanism Locker Plate	1
W 01 805	Adjusting Shaft	2
W 01 804	Seal	2

W 01 200

Caliper Cover Plate Set

MARK IV



W 01 487	Caliper Cap	1
W 01 817	Bolt - M8 x 45 mm	4

W 01 808

Caliper Adjusting Mechanism

MARK IV

W 01 809	Caliper Adjusting Mechanism	1
W 01 801	Clips	1



W 01 074

Caliper Intermediate Gear

MARK IV

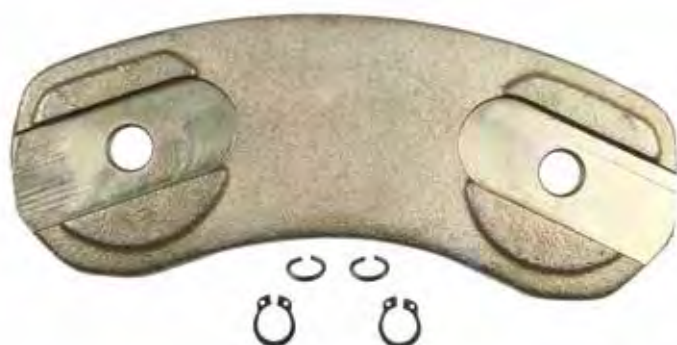


W 00 507

Caliper Tappet Plate

MARK IV

W 01 801	Clips	2
W 01 806	Tappet Plate	1



W 00 795

Caliper Adjusting Mechanism Gear

MARK IV



W 01 479	Caliper Adjusting Mechanism Gear	1
W 01 801	Clips	1

W 01 811

Caliper Manuel Adjusting Gear

MARK IV



W 00 730

Caliper Calibration Bolt

MARK IV



W 01 232

Caliper Calibration Bolt

**MARK IV
(Without Flange)**



W 00 739

Caliper Lever

MARK IV



W 01 421

Caliper Lever Pin

MARK IV



W 00 732

Caliper Needle Bearing Set

MARK IV



W 01 807 Caliper Needle Bearing

2

W 00 733

Caliper Needle Bearing

MARK IV



W 01 201

Caliper Mechanism Clamp Set

MARK IV



W 01 818	Caliper Mechanism Clamp	2
-----------------	-------------------------	---

W 00 736

Wavy Washer Set

MARK IV



W 01 815	Wavy Washer	5
-----------------	-------------	---

W 00 743

Caliper Mechanism Cap

MARK IV



W 00 740

Caliper Lever & Pin Set

MARK IV



W 00 739	Caliper Lever	1
W 01 242	Caliper Lever Pin	1

W 00 496**Caliper Pin Repair Kit****MARK IV**

W 00 819	Pin Bolt - M14 x 2 / 53 mm	4
W 00 896	Pin Cap - Ø 57 / 40 mm	2
W 00 149	Pin Boot	8
W 01 795	Plastic Bush	4
W 01 796	Ring	8
W 01 797	Plug (Mk III)	2
W 01 798	O-Ring - (Mk II)	2
W 01 803	Plug - (Mk II)	2
W 01 799	Bolt - (Mk II)	2

W 00 495**Caliper Pin Repair Kit****MARK IV**

W 00 819	Pin Bolt - M14 x 2 / 53 mm	4
W 00 865	Caliper Pin - Ø 35 / 70 mm	4
W 00 896	Pin Cap - Ø 57 / 40 mm	2
W 00 897	Steel Cap	4
W 01 795	Plastic Bush	4
W 01 796	Ring	8
W 01 797	Plug - (Mk III)	2
W 01 798	O-Ring - (Mk II)	2
W 01 799	Bolt - (Mk II)	2
W 01 803	Plug - (Mk II)	2
W 00 149	Pin Boot	8

W 00 495/1 Caliper Pin Repair Kit Without Chrome Plated Pins

W 00 501

Caliper Plug Set

87408

MARK II
MARK III



W 01 803	Plug - (Mk II)	2
W 01 797	Plug - (Mk III)	2
W 01 798	O-Ring - (Mk II)	2
W 01 799	Bolt - (Mk II)	2

W 00 497

Caliper Pin Repair Kit

MARK IV



W 00 819	Pin Bolt - M14 x 2 / 53 mm	4
W 00 149	Pin Boot	8
W 01 795	Plastic Bush	4
W 01 796	Ring	8
W 01 797	Plug - (Mk III)	2
W 01 798	O-Ring - (Mk II)	2
W 01 803	Plug - (Mk II)	2
W 01 799	Bolt - (Mk II)	2
W 00 865	Caliper Pin - Ø 35 / 70 mm	4

W 00 497/1 Caliper Pin Repair Kit Without Chrome Plated Pins

W 02 339**Caliper Complete Mechanism Set****MARK IV**

W 00 931	Tappet Boot 67 mm	2
W 01 800	Spring 67 mm	2
W 01 801	Clips	2
W 01 806	Tappet Plate	1
W 01 801	Clips	2
W 00 730	Caliper Calibration Bolt	2
W 01 487	Cup	1
W 01 817	Bolt	4
W 01 818	Caliper Mechanism Clamp	2
W 01 809	Spring - Big	1
W 01 801	Clips	1
W 01 479	Caliper Adjusting Mechanism Gear	1
W 01 801	Clips	1
W 01 811	Caliper Adjusting Mechanism Eead	1
W 01 199	Caliper Shaft Hausing	1
W 01 813	Caliper Spring	1
W 01 814	Caliper Ring	1
W 01 815	Caliper Wavy Washer	1
W 01 816	Caliper Washer	1
W 01 074	Caliper Intermediate Gear	1
W 01 807	Caliper Needle Bearing Set	2
W 00 739	Caliper Lever	1
W 01 812	Caliper Lever Pin	1
W 00 733	Caliper Needle Bearing	1
W 02 077	Mechanism Locker Plate	1
W 01 805	Adjuster Shaft	2
W 01 804	Seal	2

W 01 237**Caliper Complete Repair Set****MARK IV**

W 00 931	Tappet Boot 67 mm	2	W 01 807	Caliper Needle Bearing Set	2
W 01 800	Spring 67 mm	2	W 00 739	Caliper Lever	1
W 01 801	Clips	2	W 01 812	Caliper Lever Pin	1
W 01 806	Tappet Plate	1	W 00 733	Caliper Needle Bearing	1
W 01 801	Clips	2	W 02 077	Mechanism Locker Plate	1
W 00 730	Caliper Calibration Bolt	2	W 01 805	Adjuster Shaft	2
W 01 487	Cup	1	W 01 804	Seal	2
W 01 817	Bolt	4	W 00 865	Caliper Pin Ø 35 / 70 mm	4
W 01 818	Caliper Mechanism Clamp	2	W 00 819	Pin Bolt M14 X 2 / 53 mm	4
W 01 809	Spring - Big	1	W 00 149	Pin Boot	8
W 01 801	Clips	1	W 01 795	Plastic Bush	4
W 01 479	Caliper Adjusting Mechanism Gear	1	W 01 796	Ring	8
W 01 801	Clips	1	W 00 897	Steel Cap	4
W 01 811	Caliper Adjusting Mechanism Eead	1	W 00 896	Pin Cap Ø 57 / 40 mm (Mk IV)	2
W 01 199	Caliper Shaft Hausing	1	W 01 797	Plug (Mk III)	2
W 01 813	Caliper Spring	1	W 02 074	Caliper Pad Retainer	1
W 01 814	Caliper Ring	1	W 02 075	Bolt M10 X 1,5 / 25 mm	1
W 01 815	Caliper Wavy Washer	1	W 02 082	Caliper Pad Spring	2
W 01 816	Caliper Washer	1	W 01 541	Grease - 5 g	2
W 01 074	Caliper Intermediate Gear	1			

W 01 237/1 Caliper Complete Repair Set Without Chrome Plated Pins

HALDEX
 MARK

W 02 096

Caliper Boot Set

MARK IV

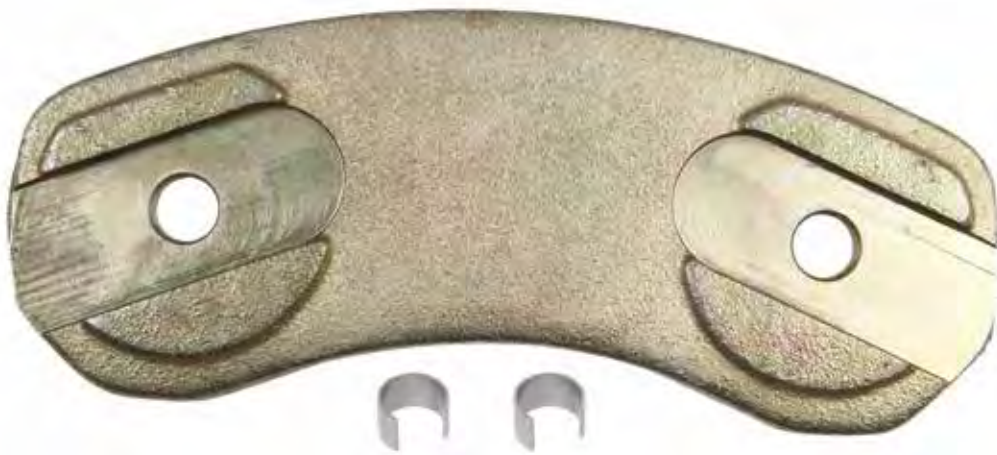


W 01 797	Plug (Mk III)	1
W 01 798	O-Ring - (Mk II)	6
W 00 931	Tappet Boot 67 mm	2

W 00 508

Caliper Tappet Plate

MARK IV

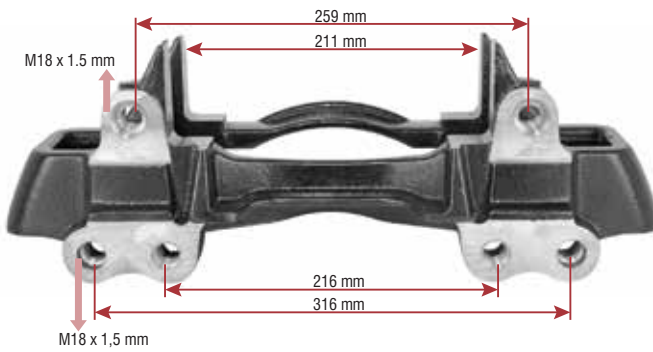


W 01 806	Caliper Tappet Plate	1
W 01 802	Clips	2

W 02 409

Caliper Carrier - 22.5"

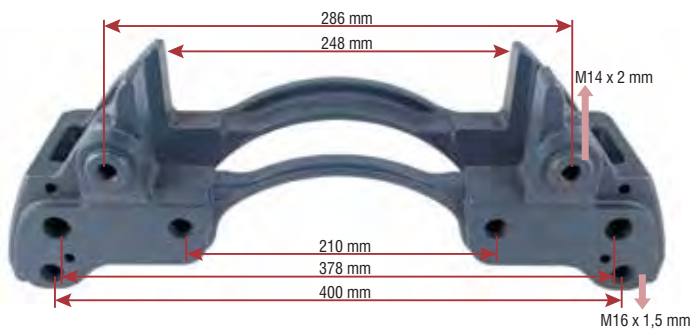
**MODUL T
SAF Trailer Axle**



W 02 410

Caliper Carrier - 22.5"

**MODUL X GEN 2
Trailer Axle**





wisGROUP

Impressive CV Spare Parts

FOR HALDEX MODUL X

www.wisgroup.com.tr

W 00 503

Caliper Cap Set

91019

**GEN 1
GEN 2**



W 00 898	Pin Cap - Ø 42 / 23 mm	2
-----------------	------------------------	---

W 00 498

Caliper Pin Repair Kit

93299

GEN 2



W 02 081	Caliper Pin - Ø 35 / 64 mm	4
W 00 820	Pin Bolt - M14 x 2 / 42 mm	4
W 00 898	Pin Cap - Ø 42 / 28 mm	2
W 00 897	Steel Cap	2
W 00 149	Pin Boot	6
W 01 795	Plastic Bush	4
W 01 797	Plug	1
W 01 541	Grease - 5 g	2

W 00 498/1 Caliper Pin Repair Set Without Chrome Plated Pins

W 00 729

Caliper Pin Repair Kit

91012

GEN 1



W 00 820	Pin Bolt - M14 x 2 / 43 mm	4
W 00 149	Pin Boot	6
W 01 795	Plastic Bush	4
W 00 866	Caliper Pin - Ø 35 / 64 mm	4
W 00 897	Steel Cap	4
W 00 898	Pin Cap - Ø 42 / 23 mm	2
W 01 797	Plug	1
W 01 541	Grease - 5 g	2

W 00 729/1 Caliper Pin Repair Kit Without Chrome Plated Pins

W 00 500

Caliper Pin Boot & Cap Set

91014

**GEN 1
GEN 2**



W 00 897	Steel Cap	4
W 00 149	Pin Boot	2
W 01 795	Plastic Bush	1
W 00 898	Pin Cap - Ø 42 / 23 mm	2
W 01 797	Plug	1

W 00 499

Caliper Pin Boot & Cap Set

91013

**GEN 1
GEN 2**



W 00 897	Steel Cap	4
W 00 898	Pin Cap - Ø 42 / 28 mm	2
W 01 795	Plastic Bush	4
W 01 797	Plug	1
W 00 149	Pin Boot	6

W 01 239

Caliper Pin Bolt Repair Set

94660

**GEN 1
GEN 2**



W 00 820	Pin Bolt - M14 x 2 / 42 mm	4
W 00 819	Pin Bolt - M14 x 2 / 53 mm	4
W 00 898	Pin Cap - Ø 42 / 28 mm	2
W 00 897	Steel Cap	2
W 00 149	Pin Boot	6
W 01 795	Plastic Bush	4
W 01 797	Plug	1
W 01 541	Grease - 5 g	2

W 00 494

Caliper Boot Set

91011

**GEN 1
GEN 2**

W 00 931	Tappet Boot - 67 mm	2
W 01 797	Plug	1
W 01 800	Spring - 67 mm	2
W 01 801	Clips	2



W 00 492

Caliper Boot Set

89794

**GEN 1
GEN 2**



W 00 931	Tappet Boot - 67 mm	2
W 01 800	Spring - 67 mm	2
W 01 801	Clips	2

W 01 222

Caliper Spring Set

94665

GEN 1

W 01 800	Spring - 67 mm	2
W 01 801	Clips	2



W 01 223

Caliper Spring & Plate Set

92731

GEN 1



W 01 800	Spring - 67 mm	2
W 01 806	Caliper Tappet Plate	1
W 01 801	Clips	2

W 01 240

Caliper Adjuster Shaft Set

94892

**GEN 1
GEN 2**



W 01 805	Adjuster Shaft	1
W 01 804	Seal	1
W 01 797	Plug	1

W 00 504

Caliper Adjuster Shaft Set

90693

**GEN 1
GEN 2**



W 01 797	Plug	2
W 01 804	Seal	2
W 01 805	Adjuster Shaft	2

W 01 221

Caliper Tappet Plate & Bolt Set

94664

GEN 1



W 00 931	Tappet Boot - 67 mm	2
W 01 806	Caliper Tappet Plate	1
W 00 730	Caliper Calibration Bolt	2
W 01 797	Plug	1
W 01 801	Clips	2

W 00 506

Caliper Pad Retainer

90673

GEN 1
GEN 2

W 02 074	Caliper Pad Retainer	1
W 02 075	Bolt - M10 x 1,5 / 25 mm	1



W 01 216

Caliper Pad Spring Kit

89924

GEN 1
GEN 2



W 02 082	Caliper Pad Spring	2
----------	--------------------	---

W 01 218

Caliper Pad Retainer Kit

91216

GEN 1
GEN 2

W 02 074	Caliper Pad Retainer	1
W 02 075	Bolt - M10 x 1,5 / 25 mm	1
W 02 082	Caliper Pad Spring	2



W 01 220

Caliper Pad Retainer Kit

94659

GEN 1
GEN 2

W 02 074	Caliper Pad Retainer	2
W 02 075	Bolt - M10 x 1,5 / 25 mm	2
W 02 082	Caliper Pad Spring	4
W 01 797	Plug - (Mk III)	2



W 01 808

Caliper Adjusting Mechanism

GEN 1



W 01 074

Caliper Intermediate Gear

GEN 1



W 01 241

Caliper Adjusting Mechanism Gear

GEN 1



W 01 811

Caliper Adjusting Mechanism Gear

GEN 1



W 00 734

Caliper Roller Bearing

**GEN 1
GEN 2**



W 00 731

Tappet & Calibration Bolt

GEN 2



W 00 744

Caliper Mechanism Cap

**GEN 1
GEN 2**



W 01 865

Caliper Needle Bearing Set

GEN 2



W 02 207	Caliper Roller Bearing	1
W 02 209	Caliper Roller Bearing	1

W 00 736

Wavy Washer Set

**GEN 1
GEN 2**



W 01 815	Wavy Washer	5
-----------------	-------------	---

W 00 738

Caliper Lever

**GEN 1
GEN 2**



W 00 737	Caliper Lever	1
W 01 822	Lever Pin	1
W 01 820	Lever Bearing	2

W 00 742

Caliper Shaft Housing Set

**GEN 1
GEN 2**



W 01 205	Shaft Housing	1
W 01 813	Spring	1

W 00 740

Caliper Lever With Pin

**GEN 1
GEN 2**

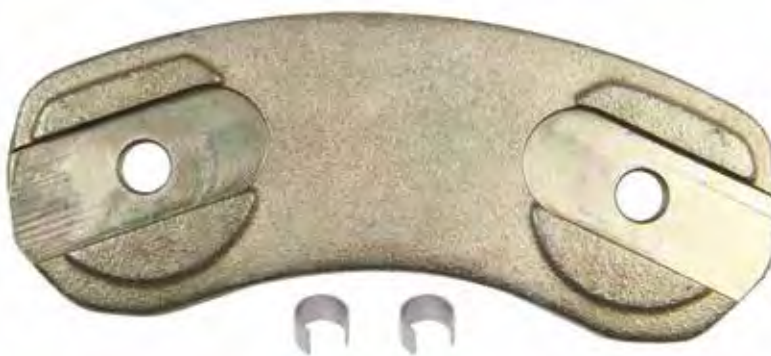


W 00 739	Caliper Lever	1
W 01 242	Caliper Lever Pin	1

W 00 508

Caliper Tappet Plate

**GEN 1
GEN 2**



W 01 806	Caliper Tappet Plate	1
W 01 802	Clips	2

W 00 730

Caliper Calibration Bolt

GEN 1



W 00 739

Caliper Lever

GEN 1



W 01 242

Caliper Lever Pin

GEN 1



W 00 733

Caliper Needle Bearing

GEN 1



W 00 732

Caliper Needle Bearing Set

GEN 1



W 01 807	Caliper Roller Bearing	2
-----------------	------------------------	---

W 00 507

Caliper Tappet Plate

GEN 1



W 01 801	Clips	2
W 01 806	Caliper Tappet Plate	1

W 01 196

Caliper Tappet Plate & Bolt Set

GEN 1



W 01 801	Clips	2
W 01 806	Caliper Tappet Plate	1
W 00 730	Caliper Calibration Bolt	2

W 01 410

Caliper Complete Mechanism Set

GEN 1



W 00 931	Tappet Boot - 67 mm	2
W 01 800	Spring - 67 mm	2
W 01 801	Clips	2
W 01 806	Caliper Tappet Plate	1
W 00 730	Caliper Calibration Bolt	2
W 01 823	Bolt	4
W 00 744	Caliper Cover	1
W 01 243	Caliper Mechanism Clamp	1
W 01 809	Spring - Big	1
W 01 801	Spring - Small	1
W 01 450	Caliper Repair Kit	1
W 01 801	Clips	1
W 01 811	Caliper Adjusting Mechanism Gear	1
W 01 199	Shaft Housing	1
W 01 813	Spring	1
W 01 814	Circlip	1
W 01 815	Wavy Washer	1
W 01 816	Washer	1
W 01 074	Caliper Intermediate Gear	1
W 01 807	Caliper Roller Bearing	2
W 00 739	Caliper Lever	1
W 01 242	Caliper Lever Pin	1
W 00 733	Caliper Needle Bearing	1
W 01 805	Adjuster Shaft	1
W 01 804	Seal	1
W 01 797	Plug	1

W 01 244

Caliper Complete Repair Set

GEN 1

W 00 820	Pin Bolt - M14 x 2 / 43 mm	4
W 00 149	Pin Boot	6
W 01 795	Plastic Bush	4
W 00 866	Caliper Pin - Ø 35 / 64 mm	4
W 00 897	Steel Cap	4
W 00 898	Pin Cap - Ø 42 / 23 mm	2
W 01 797	Plug	1
W 00 931	Tappet Boot - 67 mm	2
W 01 800	Spring - 67 mm	2
W 01 801	Clips	2
W 01 806	Caliper Tappet Plate	1
W 00 730	Caliper Calibration Bolt	2
W 01 823	Bolt	4
W 00 744	Caliper Cover	1
W 01 243	Caliper Mechanism Clamp	1
W 01 809	Spring - Big	1
W 01 801	Spring - Small	1
W 01 450	Mechanism	1
W 01 801	Clips	1
W 01 811	Caliper Adjusting Mechanism Gear	1
W 01 199	Shaft Housing	1
W 01 813	Spring	1
W 01 814	Circlip	1
W 01 815	Wavy Washer	1
W 01 816	Washer	1
W 01 074	Caliper Intermediate Gear	1
W 01 807	Caliper Roller Bearing	2
W 00 739	Caliper Lever	1
W 01 242	Caliper Lever Pin	1
W 00 733	Caliper Needle Bearing	1
W 01 805	Adjuster Shaft	1
W 01 804	Seal	1
W 01 797	Plug	1
W 02 074	Caliper Pad Retainer	1
W 02 075	Bolt - M10 x 1.5 / 25 mm	1
W 02 082	Caliper Pad Spring	2
W 01 541	Grease - 5 g	2



W 01 244/1 Caliper Complete Repair Set Without Chrome Plated Pins

W 00 796

Caliper Adjusting Mechanism

GEN 2



W 01 074

Caliper Intermediate Gear

GEN 2



W 01 207

Caliper Adjusting Mechanism Gear

GEN 2



W 01 208

Caliper Manuel Adjusting Gear

GEN 2



W 01 206

Caliper Mechanism Cap

GEN 2



W 01 823	Bolt	4
W 00 744	Caliper Cover	1

W 01 204

Caliper Shaft Housing Set

GEN 2



W 01 205	Shaft Housing	1
W 01 813	Spring	1
W 01 814	Ring	1
W 01 815	Wavy Washer	1
W 01 816	Washer	1

W 01 202

Caliper Tappet & Calibration Bolt Set

GEN 2



W 00 731	Tappet & Calibration Bolt	2
----------	---------------------------	---

W 01 075

Caliper Mechanism Clamp

GEN 2



W 01 076

Caliper Mechanism Plate

GEN 2



W 01 010

Caliper Roller Bearing Set

GEN 2



W 00 734	Caliper Roller Bearing	1
W 01 820	Lever Bearing	2

W 00 737

Caliper Lever

GEN 2



W 01 822

Caliper Lever Pin

GEN 2



W 00 735

Caliper Roller Bearing Set

GEN 2



W 01 862	Lever Bearing	2
W 01 869	Caliper Roller Bearing	1
W 01 864	Caliper Roller Bearing	1

W 01 411**Caliper Complete Mechanism Set****GEN 2**

W 00 931	Tappet Boot - 67 mm	2
W 01 800	Spring - 67 mm	2
W 00 731	Tappet & Calibration Bolt	2
W 00 796	Caliper Adjusting Mechanism	1
W 01 207	Caliper Adjusting Mechanism Gear	1
W 01 074	Caliper Intermediate Gear	1
W 01 208	Caliper Manuel Adjusting Gear	1
W 00 734	Caliper Roller Bearing	1
W 01 820	Lever Bearing	2
W 01 862	Lever Bearing	2
W 01 869	Caliper Roller Bearing	1
W 01 864	Caliper Roller Bearing	1
W 01 205	Shaft Housing	1
W 01 813	Spring	1
W 01 814	Ring	1
W 01 815	Wavy Washer	1
W 01 816	Washer	1
W 01 076	Caliper Mechanism Plate	1
W 01 075	Caliper Mechanism Clamp	1
W 00 737	Caliper Lever	1
W 01 822	Caliper Lever Pin	1
W 01 823	Bolt	4
W 00 744	Caliper Cover	1
W 01 805	Adjuster Shaft	1
W 01 804	Seal	1
W 01 797	Plug	1

W 01 245**Caliper Complete Repair Set****GEN 2**

W 02 081	Caliper Pin - Ø 35 / 64 mm	4
W 00 820	Pin Bolt - M14 x 2 / 42 mm	4
W 00 898	Pin Cap - Ø 42 / 28 mm	2
W 00 897	Steel Cap	2
W 00 149	Pin Boot	6
W 01 795	Plastic Bush	4
W 01 797	Plug	1
W 00 931	Tappet Boot - 67 mm	2
W 01 800	Spring - 67 mm	2
W 00 731	Tappet & Calibration Bolt	2
W 00 796	Caliper Adjusting Mechanism	1
W 01 207	Caliper Adjusting Mechanism Gear	1
W 01 074	Caliper Intermediate Gear	1
W 01 208	Caliper Manuel Adjusting Gear	1
W 00 734	Caliper Roller Bearing	1
W 01 820	Lever Bearing	2
W 01 862	Lever Bearing	2
W 01 869	Caliper Roller Bearing	1
W 01 864	Caliper Roller Bearing	1
W 01 205	Shaft Housing	1
W 01 813	Spring	1
W 01 814	Ring	1
W 01 815	Wavy Washer	1
W 01 816	Washer	1
W 01 076	Caliper Mechanism Plate	1
W 01 075	Caliper Mechanism Clamp	1
W 00 737	Caliper Lever	1
W 01 822	Caliper Lever Pin	1
W 01 823	Bolt	4
W 00 744	Caliper Cover	1
W 01 805	Adjuster Shaft	1
W 01 804	Seal	1
W 01 797	Plug	1
W 02 074	Caliper Pad Retainer	1
W 02 075	Bolt - M10 x 1.5 / 25 mm	1
W 02 082	Caliper Pad Spring	2
W 01 541	Grease - 5 g	2

**W 01 245/1 Caliper Complete Repair Set Without Chrome Plated Pins**



wisGROUP

Impressive CV Spare Parts

FOR HALDEX MODUL T

www.wisgroup.com.tr

W 01 404**Caliper Pad Retainer Kit**

W 02 072	Pad Retainer	1
W 02 073	Pad Retainer Spring	1
W 01 238	Protection Plug	1

W 01 403**Caliper Reset Shaft Kit**

W 01 478	Reset Shaft	1
W 01 467	Reset Shaft Gear	1
W 01 424	Reset Shaft Plug	1

W 01 402**Caliper Pin Repair Kit****95397**

W 01 824	Caliper Pin - Ø 35 / 120 mm	1
W 01 825	Caliper Pin - Ø 35.5 / 87 mm	1
W 00 138	Pin Bolt - M16 x 1.5 / 80 mm	2
W 00 364	Round Bush - Ø 35 x 39 / 30 mm	2
W 02 078	Bush - Ø39.5 x 36 / 14.5 mm	1
W 01 827	Plastic Bush - Ø 35.7 x 35.4 x 87 mm	1
W 01 826	Pin Boot	2
W 02 076	Ring	2
W 01 829	Pin Cap - Ø 42 / 26 mm	1
W 01 830	Pin Cap - Ø 45 / 22 mm	1
W 01 424	Reset Shaft Plug	1
W 01 541	Grease - 5 g	1

W 01 402/1 Caliper Pin Repair Kit Without Chrome Plated Pins

W01246

Caliper Lever (SBS 2220)



W 01 247

Caliper Lever Housing



W 01 863

Needle Bearing



W 01 400

Caliper Adjusting Mechanism



W 02 058

Caliper Shaft Housing



W 01 401

Caliper Adjusting Shaft



W 01 930

Caliper Bearing Set



W 01 863	Needle Bearing	1
W 01 812	Lever Roller Bearing	2

W 01 931

Caliper Mechanism Bearing Set



W 01 442	Caliper Thrust Bearing	2
W 01 426	Caliper Thrust Bearing	1
W 02 070	Caliper Vertical Bearing	1

W 02 059

Caliper Mechanism Bearing House Set



W 02 071	Mechanism Bearing House	5
-----------------	-------------------------	---

W 02 060

Caliper Mechanism Locker Set



W 01 422	Mechanism Locker	5
-----------------	------------------	---

W 01 399

Caliper Mechanism Seal Set

95399



W 01 477	Adjustment Screw Bellow	1
W 01 424	Reset Shaft Plug	1

W 02 061

Caliper Adjustment Screw Bellow Set



W 01 477	Adjustment Screw Bellow	5
-----------------	-------------------------	---

W 02 062

Caliper Reset Shaft Kit

95398



W 01 478	Reset Shaft	1
W 01 424	Reset Shaft Plug	1

W 02 063

Caliper Reset Shaft Set



W 01 478	Reset Shaft	5
-----------------	-------------	---

W 02 064

Caliper Reset Shaft Plug Set



W 01 424	Reset Shaft Plug	5
-----------------	------------------	---

W 02 065

Caliper Protection Plug Set



W 01 238 Protection Plug 5

W 02 066

Caliper Reset Shaft Gear Set



W 01 467 Reset Shaft Gear 5

W 02 067

Caliper Mechanism Protection Cap Set



W 01 423 Mechanism Protection Cap 5

W01398**Caliper Complete Mechanism Set**

W 01 246	Caliper Lever	1
W 01 863	Needle Bearing Set	1
W 01 812	Lever Roller Bearing	2
W 02 207	Caliper Needle Bearing Left	1
W 02 209	Caliper Needle Bearing Right	1
W 01 247	Caliper Lever Housing	1
W 01 401	Caliper Adjusting Shaft	1
W 02 058	Caliper Shaft Housing	1
W 01 400	Caliper Adjusting Mechanism	1
W 01 422	Mechanism Locker	1
W 01 477	Adjustment Screw Bellow	1
W 01 541	Grease - 5 g	2

W 01 414**Caliper Complete Repair Kit**

W 01 824	Caliper Pin - Ø 35 / 120 mm	1	W 02 207	Caliper Needle Bearing Left	1
W 01 825	Caliper Pin - Ø 35.5 / 87 mm	1	W 02 209	Caliper Needle Bearing Right	1
W 00 138	Pin Bolt - M16 x 1.5 / 80 mm	2	W 01 247	Caliper Lever Housing	1
W 00 364	Round Bush - Ø 35 x 39 / 30 mm	2	W 01 401	Caliper Adjusting Shaft	1
W 02 078	Bush - Ø39.5 x 36 / 14.5 mm	1	W 02 058	Caliper Shaft Housing	1
W 01 827	Plastic Bush - Ø 35.7 x 35.4 x 87 mm	1	W 01 400	Caliper Adjusting Mechanism	1
W 01 826	Pin Boot	2	W 01 422	Mechanism Locker	1
W 02 076	Ring	2	W 01 477	Adjustment Screw Bellow	1
W 01 829	Pin Cap - Ø 42 / 26 mm	1	W 01 478	Reset Shaft	1
W 01 830	Pin Cap - Ø 45 / 22 mm	1	W 01 467	Reset Shaft Gear	1
W 01 424	Reset Shaft Plug	1	W 02 072	Pad Retainer	1
W 01 246	Caliper Lever	1	W 02 073	Pad Retainer Spring	1
W 01 863	Needle Bearing Set	1	W 01 238	Protection Plug	1
W 01 812	Lever Roller Bearing	2	W 01 541	Grease - 5 g	2

W 01 414/1 Caliper Complete Repair Kit Without Chrome Plated Pins



wisGROUP

Impressive CV Spare Parts

FOR B..W

www.wisgroup.com.tr

W02301

Caliper Pad Retainer Kit

09.801.07.68.1



W 02 100

Caliper Pin & Retainer Repair Kit

09.801.05.81.0



W 01 501	Caliper Pin - Ø 37 / 123 mm	1
W 01 503	Caliper Pin - Ø 36 / 70 mm	1
W 01 504	Pin Bolt - M16 x 1.5 / 100 mm	1
W 00 809	Pin Bolt - M16 x 1.5 / 70 mm	1
W 02 301	Caliper Pad Retainer Kit	1
W 01 511	Ring (Plastic)	2
W 01 502	Pin Clips	1
W 01 541	Grease - 5 g	1

W 02 100/1 Caliper Pin Repair Kit Without Chrome Plated Pins

W 01 111

Caliper Pin Repair Kit

W 01 501	Caliper Pin - Ø 37 / 123 mm	1
W 01 503	Caliper Pin - Ø 36 / 70 mm	1
W 01 504	Pin Bolt - M16 x 1.5 / 100 mm	1
W 00 809	Pin Bolt - M16 x 1.5 / 70 mm	1
W 01 506	Bush - Ø 41 x 37 / 73 mm	1
W 01 507	Bush - Ø 41 x 37 / 30 mm	1
W 01 508	O-Ring - Ø 36 / 3.5 mm	1
W 01 509	Pin Cap (Plastic)	2
W 01 511	Ring (Plastic)	2
W 01 510	Pin Boot	2
W 01 512	Plug	1
W 01 502	Pin Clips	1
W 01 541	Grease - 5 g	1



W 01 111/1 Caliper Pin Repair Kit Without Chrome Plated Pins

W 01 107

Caliper Pin Repair Kit

09.801.07.61.0



W 01 501	Caliper Pin - Ø 37 / 123 mm	1
W 01 503	Caliper Pin - Ø 36 / 70 mm	1
W 01 504	Pin Bolt - M16 x 1.5 / 100 mm	1
W 00 809	Pin Bolt - M16 x 1.5 / 70 mm	1
W 01 506	Bush - Ø 41 x 37 / 73 mm	1
W 01 507	Bush - Ø 41 x 37 / 30 mm	1
W 01 508	O-Ring - Ø 36 / 3,5 mm	1
W 01 509	Pin Cap (Plastic)	2
W 01 502	Pin Clips	1
W 01 541	Grease - 5 g	1

W 01 107/1 Caliper Pin Repair Kit Without Chrome Plated Pins

W 01 108

Caliper Seal Repair Kit

09.801.07.62.0



W 01 506	Bush - Ø 41 x 37 / 73 mm	1
W 01 507	Bush - Ø 41 x 37 / 30 mm	1
W 01 508	O-Ring - Ø 36 / 3,5 mm	1
W 01 509	Pin Cap (Plastic)	2
W 01 510	Pin Boot	2
W 01 511	Washer (Plastic)	2
W 01 512	Plug	1

W 02 310

Caliper Pad Spring Kit

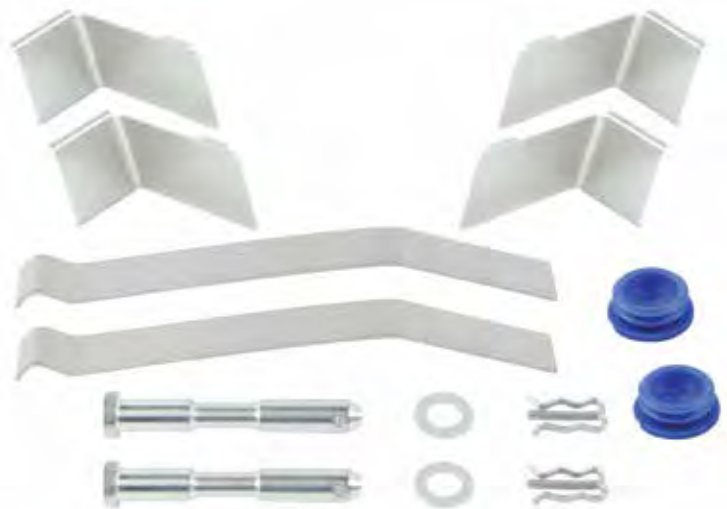
TSB 3709



W 02 311

Caliper Pad Spring Kit

TSB 4309
TSB 4312



W01094

Caliper Cover Set



W 01 525	Cover With Mechanism	1
W 01 605	Bolt - M8 / 16 mm	8
W 01 527	Mechanism Internal Washer	1

W01096

Caliper Mechanism Shaft



W01099

Caliper Mechanism Bearing House



W 01 529	Caliper Mechanism Bushing	1
W 01 530	Bearing	1

W 01 528

Caliper Mechanism Washer



W 01 112

Caliper Mechanism Internal Washer Set



W 01 527	Caliper Mechanism Internal Washer	10
----------	-----------------------------------	----

W 01 089

Caliper Lever With Pin



W 01 088	Caliper Lever	1
W 01 605	Pin Bolt - M8 x 1.25 / 16mm	1
W 01 531	Lever Pin	1
W 02 302	Lever Pin Washer	1

W 01 088

Caliper Lever



W01093

Caliper Shaft Housing



W 01 091

Caliper Bearing House and Bearing



W 01 090	Caliper Bearing House	1
W 01 523	Caliper Needle Bearing	2

W 01 011

Roller Bearing Set



W 01 936	Shaft Housing Bearing	2
W 01 937	Shaft Housing Bearing	2
W 01 938	Caliper Bearing	2

W01013

Caliper Needle Bearing Set - (Flat)



W 01 523	Caliper Needle Bearing	2
-----------------	------------------------	---

W 01 085

Roller Bearing Cap Set



W 01 936	Shaft Housing Bearing	2
-----------------	-----------------------	---

W01086

Roller Bearing Set



W 01 937	Shaft Housing Bearing	2
W 01 938	Caliper Bearing	2

W 01 087

Roller Bearing Set



W 01 936	Shaft Housing Bearing	2
W 01 937	Shaft Housing Bearing	2
W 01 938	Caliper Bearing	2
W 01 523	Caliper Needle Bearing	2

W01090

Caliper Bearing House



W01092

Caliper Mechanism House



W 02 206

Caliper Adjusting Mechanism Bushing



W 01 090	Caliper Bearing House	1
W 01 092	Caliper Mechanism House	1
W 01 936	Shaft Housing Bearing	2
W 01 937	Shaft Housing Bearing	2
W 01 938	Caliper Bearing	2
W 01 523	Caliper Needle Bearing	2

W 01 081**Caliper Seal Repair Kit**

W 01 508	O-Ring - Ø 36 / 3.5 mm	1
W 01 509	Pin Cap (Plastic)	2
W 01 510	Pin Boot	2
W 01 511	Washer (Plastic)	2
W 01 512	Plug	1

W 01 082**Caliper Pin Repair Kit**

W 01 501	Caliper Pin - Ø 37 / 123 mm	1
W 01 503	Caliper Pin - Ø 36 / 70 mm	1
W 01 504	Pin Bolt - M16 x 1.5 / 100 mm	1
W 00 809	Pin Bolt - M16 x 1.5 / 70 mm	1
W 01 517	Caliper Pad Retainer Kit	1
W 01 511	Ring (Plastic)	2
W 01 502	Pin Clips	1
W 01 541	Grease - 5 g	1

W 01 082/1 Caliper Pin Repair Kit Without Chrome Plated Pins

W 01 084**Caliper Manuel Adjuster Repair Kit**

W 01 521	Washer	1
W 01 533	Pinion	1
W 01 534	Spring	1
W 01 535	Seal	1
W 01 536	Bush	1
W 01 537	Ring	1

W02411

Caliper Bearing House

TSB 3709
TSB 4309
TSB 4312



W 01 114

Caliper Plug Set



W 02 303	Plug	5
----------	------	---

W01110

Caliper Tappet & Boot Set

09.801.07.63.1
05.801.50.90.0

W 01 514	Tappet Boot	2
W 01 515	Cover Locker	2
W 01 516	Tappet Clamp	2
W 01 513	Tappet	2



W 01 080

Caliper Tappet & Boot Set

09.801.07.63.0



W 02 099	Tappet	2
W 01 514	Tappet Boot	2
W 01 515	Cover Locker	2
W 01 516	Tappet Clamp	2

W01405

Caliper Complete Mechanism Set (With Pin)



W 01 514	Tappet Boot	2
W 01 515	Locker	2
W 01 516	Clamp	2
W 01 513	Tappet	2
W 01 525	Cover With Mechanism	1
W 01 605	Bolt - M8 / 16 mm	8
W 01 527	Mechanism Seal	1
W 01 096	Caliper Calibration Shaft	1
W 01 529	Caliper Mechanism Bushing	1
W 01 530	Bearing	1
W 01 528	Caliper Mechanism Washer	1
W 01 093	Caliper Shaft Housing	1
W 01 088	Caliper Lever	1
W 01 605	Pin Bolt - M8 x 1.25 / 16mm	1
W 01 531	Lever Pin	1
W 02 302	Lever Pin Washer	1
W 01 090	Caliper Bearing House	1
W 01 092	Caliper Mechanism House	1
W 01 936	Shaft Housing Bearing	2
W 01 937	Shaft Housing Bearing	2
W 01 938	Caliper Bearing	2
W 01 523	Caliper Needle Bearing	2

W 02 314

Caliper Complete Repair Kit (With Pin)

W 01 513	Tappet	2
W 01 514	Tappet Boot	2
W 01 515	Locker	2
W 01 516	Clamp	2
W 01 525	Cover With Mechanism	1
W 01 605	Bolt M8 X 16 mm	8
W 01 527	Mechanism Internal Washer	1
W 01 096	Caliper Mechanism Shaft	1
W 01 529	Slot	1
W 01 530	Bearing	1
W 01 528	Caliper Mechanism Washer	1
W 01 093	Caliper Shaft Housing	1
W 01 088	Lever	1
W 01 531	Lever Pin	1
W 02 302	Lever Pin Washer	1
W 01 605	Bolt M8 X 1,25 / 16 mm	1
W 01 090	Caliper Bearing House	1
W 01 092	Caliper Mechanism House	1
W 01 523	Caliper Needle Bearing	2
W 01 936	Shaft Housing Bearing	2
W 01 937	Shaft Housing Bearing	2
W 01 938	Caliper Bearing	2
W 01 501	Caliper Pin Ø 37 / 123 mm	1
W 01 503	Caliper Pin Ø 36 / 70 mm	1
W 01 504	Pin Bolt M16 X 1.5 / 100 mm	1
W 00 809	Pin Bolt M16 X 1.5 / 70 mm	1
W 01 508	O-Ring Ø 36 / 3.5 mm	1
W 01 506	Bush Ø 41 X 37 / 73 mm	1
W 01 507	Bush Ø 41 X 37 / 30 mm	1
W 01 510	Pin Boot	2
W 01 511	Ring (Plastic)	2
W 01 509	Pin Cap (Plastic)	2
W 01 512	Plug	1
W 01 533	Pinion	1
W 01 534	Spring	1
W 01 535	Seal	1
W 01 521	Washer	1
W 01 536	Bush	1
W 01 537	Ring	1
W 02 301	Caliper Pad Retainer Kit	1
W 02 303	Plug	2
W 01 502	Pin Clips	1
W 01 541	Grease - 5 g	1



W 02 314/1 Caliper Complete Repair Kit (With Pin) Without Chrome Plated Pins

W 02 029 Caliper Complete Mechanism Set (Without Pin)



W 02 099	Tappet	2
W 01 514	Tappet Boot	2
W 01 515	Locker	2
W 01 516	Clamp	2
W 01 525	Cover With Mechanism	1
W 01 605	Bolt M8 X 16 mm	8
W 01 527	Mechanism Internal Washer	1
W 01 096	Caliper Mechanism Shaft	1
W 01 529	Slot	1
W 01 530	Bearing	1
W 01 528	Caliper Mechanism Washer	1
W 01 093	Caliper Shaft Housing	1
W 01 531	Lever Pin	1
W 01 088	Lever	1
W 02 302	Lever Pin Washer	1
W 01 605	Bolt M8 X 1,25 / 16 mm	1
W 01 090	Caliper Bearing House	1
W 01 092	Caliper Mechanism House	1
W 01 523	Caliper Needle Bearing	2
W 01 936	Shaft Housing Bearing	2
W 01 937	Shaft Housing Bearing	2
W 01 938	Caliper Bearing	2

W 02 315 Caliper Complete Repair Kit (Without Pin)

W 02 099	Tappet	2
W 01 514	Tappet Boot	2
W 01 515	Locker	2
W 01 516	Clamp	2
W 01 525	Cover With Mechanism	1
W 01 605	Bolt M8 X 16 mm	8
W 01 527	Mechanism Internal Washer	1
W 01 096	Caliper Mechanism Shaft	1
W 01 529	Slot	1
W 01 530	Bearing	1
W 01 528	Caliper Mechanism Washer	1
W 01 093	Caliper Shaft Housing	1
W 01 531	Lever Pin	1
W 01 088	Lever	1
W 02 302	Lever Pin Washer	1
W 01 605	Bolt M8 X 1,25 / 16 mm	1
W 01 090	Caliper Bearing House	1
W 01 092	Caliper Mechanism House	1
W 01 523	Caliper Needle Bearing	2
W 01 936	Shaft Housing Bearing	2
W 01 937	Shaft Housing Bearing	2
W 01 938	Caliper Bearing	2
W 01 501	Caliper Pin Ø 37 / 123 mm	1
W 01 503	Caliper Pin Ø 36 / 70 mm	1
W 01 504	Pin Bolt M16 X 1.5 / 100 mm	1
W 00 809	Pin Bolt M16 X 1.5 / 70 mm	1
W 01 508	O-Ring Ø 36 / 3.5 mm	1
W 01 506	Bush Ø 41 X 37 / 73 mm	1
W 01 507	Bush Ø 41 X 37 / 30 mm	1
W 01 510	Pin Boot	2
W 01 511	Ring (Plastic)	2
W 01 509	Pin Cap (Plastic)	2
W 01 512	Plug	1
W 01 533	Pinion	1
W 01 534	Spring	1
W 01 535	Seal	1
W 01 521	Washer	1
W 01 536	Bush	1
W 01 537	Ring	1
W 02 301	Caliper Pad Retainer Kit	1
W 02 303	Plug	2
W 01 502	Pin Clips	1
W 01 541	Grease - 5 g	1



W 02 315/1 Caliper Complete Repair Kit (Without Pin) Without Chrome Plated Pins



wisGROUP

Impressive CV Spare Parts

FOR HYDRAULIC

www.wisgroup.com.tr

W 00 515

Caliper Pin Repair Kit

SJ1022

**58 FRONT
68 FRONT
58 REAR
68 REAR**



W 00 868	Caliper Pin Ø 20 / 71 mm	2
W 02 023	Caliper Pin Bolt - M12 x 1,25 / 85 mm	2
W 01 955	Pin Cap Ø 24 / 12 mm	2
W 00 912	Caliper Pin Bellow (Black)	2
W 01 956	Plug	2
W 01 541	Grease - 5 g	2

W 00 530

Caliper Pin Repair Kit

SP8902

**60 FRONT
Mercedes Type**



W 02 369	Caliper Pin - Ø 20 / 80 mm	2
W 02 370	Pin Bolt - M12 x 1.25 / 95 mm	2
W 00 912	Pin Boot	2
W 01 956	Plug	2
W 01 541	Grease - 5 g	2

W 02 307

Caliper Pin Repair Kit

**MB 000 421 8386
ST1154**

**60 FRONT
Iveco Type**



W 00 912	Caliper Pin Bellow (Black)	2
W 01 955	Pin Cap Ø 24 / 12 mm	2
W 01 956	Plug	2

W 02 316

Caliper Pin Repair Kit

SJ1034

60 REAR



W 02 028	Caliper Pin Ø 20X71	2
W 02 023	Caliper Pin Bolt M12 x 1,25 / 85	2
W 01 955	Pin Cap Ø 24 / 12 mm	2
W 00 912	Caliper Pin Bellow (Black)	2
W 01 956	Plug	2
W 01 541	Grease - 5 g	2

W 00 516

Caliper Pin Boot Kit

ST1154



W 02 028	Caliper Pin Ø 20X71	2
W 02 023	Caliper Pin Bolt M12 x 1,25 / 85 mm	2
W 01 955	Pin Cap Ø 24 / 12 mm	2
W 00 912	Caliper Pin Bellow (Black)	2
W 01 541	Grease - 5 g	2

W 00 527

Caliper Pin Repair Kit

SP8566



W 00 912	Pin Boot	2
W 01 956	Plug	2

W 00 517

Caliper Repair Kit

SJ1214



W 00 518

Caliper Repair Kit

SJ1215



W 02 318**Caliper Boot & Seal Repair Kit****SP9669****58 REAR**

W 02 357	Piston Boot	2
W 02 358	Piston Seal	2
W 00 912	Pin Boot	2
W 00 904	Pin Cap - Ø 22 / 12 mm	2
W 00 905	Pin Cap - Ø 22 / 8 mm	2
W 02 013	O-Ring (Big)	1
W 02 009	O-Ring (Small)	2
W 02 014	Seal (Big)	1
W 02 008	Seal (Small)	2
W 02 016	Plastic Ring	1
W 02 011	Circlips Increased	1
W 02 012	Circlips	1
W 01 541	Grease - 5 g	1

W 02 319**Caliper Boot & Seal Repair Kit****SJ1030****60 REAR**

W 02 017	Piston Boot	2
W 02 018	Piston Seal	2
W 00 912	Pin Boot	2
W 01 955	Pin Cap -Ø 24 /12 mm	2
W 01 956	Plug	2
W 02 013	O-Ring (Big)	1
W 02 009	O-Ring (Small)	2
W 02 014	Seal (Big)	1
W 02 008	Seal (Small)	2
W 02 016	Plastic Ring	1
W 02 011	Circlips Increased	1
W 02 012	Circlips	1
W 01 541	Grease - 5 g	1

W 00 528**Caliper Boot & Seal Repair Kit****SP9670****68 REAR**

W 02 019	Piston Boot	2
W 02 020	Piston Seal	2
W 00 912	Pin Boot	2
W 00 904	Pin Cap - Ø 22 / 12 mm	2
W 00 905	Pin Cap - Ø 22 / 8 mm	2
W 02 013	O-Ring (Big)	1
W 02 009	O-Ring (Small)	2
W 02 014	Seal (Big)	1
W 02 008	Seal (Small)	2
W 02 016	Plastic Ring	1
W 02 011	Circlips Increased	1
W 02 012	Circlips	1
W 01 541	Grease - 5 g	2

W 02 320**Caliper Boot & Seal Repair Kit****SJ1033****68 REAR**

W 02 019	Piston Boot	2
W 02 020	Piston Seal	2
W 00 912	Pin Boot	2
W 01 955	Pin Cap -Ø 24 /12 mm	2
W 01 956	Plug	2
W 02 013	O-Ring (Big)	1
W 02 009	O-Ring (Small)	2
W 02 014	Seal (Big)	1
W 02 008	Seal (Small)	2
W 02 016	Plastic Ring	1
W 02 011	Circlips Increased	1
W 02 012	Circlips	1
W 01 541	Grease - 5 g	2

W 00 525

Caliper Boot Kit

SP8567

58 FRONT



W 02 357	Piston Boot	2
W 02 358	Piston Seal	2
W 00 912	Pin Boot	2
W 00 904	Pin Cap - Ø 22 / 12 mm	2
W 00 905	Pin Cap - Ø 22 / 8 mm	2

W 00 526

Caliper Boot Kit

SP8597

60 FRONT

W 02 017	Piston Boot	2
W 02 018	Piston Seal	2
W 00 912	Pin Boot	2



W 00 514

Caliper Boot Kit

SJ1037

60 FRONT



W 02 017	Piston Boot	2
W 02 018	Piston Seal	2
W 00 912	Pin Boot	2
W 01 955	Pin Cap -Ø 24 /12 mm	2

W 00 524

Caliper Boot Kit

SP8564

68 FRONT

W 02 019	Piston Boot	2
W 02 020	Piston Seal	2
W 00 912	Pin Boot	2
W 00 904	Pin Cap - Ø 22 / 12 mm	2
W 00 905	Pin Cap - Ø 22 / 8 mm	2



W 02 321

Caliper Pin Repair Kit

000 421 0850

**Brembo Type
for Mercedes Sprinter**



W 02 345	Caliper Pin - Ø 18 / 66 mm	1
W 02 346	Caliper Pin - Ø18 / 66 mm - With Bush Slot	1
346 02 347	Pin Boot - M8 x 1.25 / 70 mm	2
W 02 348	Pin Boot	2
W 02 349	Rubber Bush	1
W 02 350	Rubber Plug	2

W 02 322

Caliper Pin Repair Kit

000 423 0663

**Brembo Type
for Mercedes Sprinter**



W 02 340	Caliper Pin - Ø 12.15 / 82 mm	1
W 02 341	Caliper Pin - Ø 11.50 / 82 mm - With Bush Slot	1
W 02 342	Pin Boot - M10 x 1.25 / 30 mm	2
W 02 343	Pin Boot	2
	Rubber Bush	1

W 00 511

Caliper Repair Kit



W 00 510

Caliper Repair Kit

KN352798



W 00 512

Caliper Repair Kit



W 00 513

Caliper Repair Kit



W 00 519

Caliper Pin Repair Kit

SJ1091



W 00 520

Caliper Pin Repair Kit

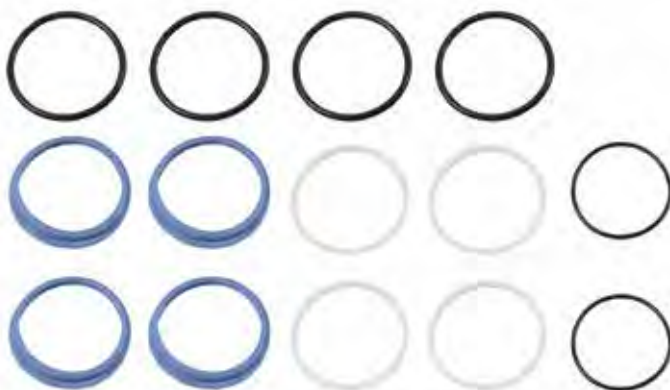
SJ1092



W 00 521

Brake Caliper Repair Kit

**VOLVO 6212908
11994196**



W 00 522

Caliper Pin Repair Kit

VOLVO 6211532



W 00 523

Caliper Pin Repair Kit

**VOLVO 6213565
11994197**



W 00 529

Brake Caliper Repair Kit

SP8565



W 00 868	Caliper Pin Ø 20 / 71 mm	2
W 00 835	Caliper Pin Bolt M12 X 1,25 / 85 mm	2
W 00 912	Caliper Pin Bellow (Black)	2
W 00 904	Caliper Pin Cap - Ø 22 / 12 mm	2
W 00 905	Caliper Pin Cap - Ø 22 / 8 mm	2
W 01 541	Grease - 5 g	2



wisGROUP

Impressive CV Spare Parts

FOR Z-CAM

www.wisgroup.com.tr

W11001

Brake Adjusting Shaft-L

**ST4014
ST4023
A164061
68192565**



W11002

Brake Adjusting Shaft-R

**ST4013
ST4024
A164062
68192566**



W11006

Brake Adjusting Pinion - L

**A164052
68191510**



W11007

Brake Adjusting Pinion - R

**A164055
68191511**



W11004

Brake Adjusting Pinion - L

ST1038



W11003

Brake Adjusting Pinion - R

ST1039



W 02 323

Brake Adjusting Pinion - L

68020145



W 02 324

Brake Adjusting Pinion - R

68020146



W 02 325

Brake Adjusting Pinion Set - L

SP8548



W 02 328

Brake Adjusting Pinion Set - R

SP8549



W11005

Brake Adjusting Cross Shaft

**SP8540
ST4018
68191219**



W11504

Brake Adjusting Locking Pin Set

ST1033



W11507

Brake Adjuster Locking Pin Set

**ST1035
ST4022**



W11503

Brake Adjuster Locking Pin Set

ST1034



W11009

Brake Adjusting Pin

**137075
68192487**



W11008

Brake Adjusting Pin

**137074
64225252**



W11010

Brake Adjusting Cover

**166062
68191065**



W11509

Brake Adjusting Cover Gasket

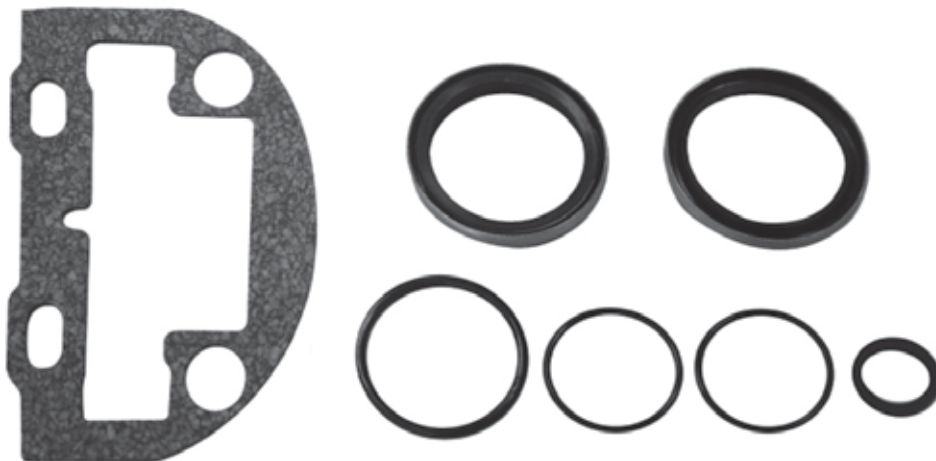
**166063
68191066**



W11506

Brake Adjusting Gasket Set

**ST1053
ST4025**



W 02 326

Brake Adjusting Shaft Cover Set

**SP7984
ST4019**



350 11 015 Brake Adjusting Shaft Cover 2

W11502

Reverse Lock Repair Kit - L

**ST1036
ST4021
68191540**



W11501

Reverse Lock Repair Kit - R

**ST1037
ST4020
68191541**



350 11 508

Brake Adjuster Dust Cover

68192410



350 11 011

Brake Adjuster Return Spring

**167090
68192115**



W 02 327

Brake Adjusting Pin

68191930



W 02 329

Complete Repair Set - L



350 11 011	Brake Adjuster Return Spring	1
350 11 001	Brake Adjusting Shaft-L	1
350 11 002	Brake adjusting Shaft-R	1
350 11 005	Brake Adjusting Cross Shaft	1
350 11 508	Brake Adjuster Dust Cover	2
350 11 008	Brake Adjusting Pin	2
350 11 506	Brake Adjusting Gasket Set	1
W 02 325	Brake Adjusting Pinion Set - L	1

W 02 330

Complete Repair Set - R



350 11 011	Brake Adjuster Return Spring	1
350 11 001	Brake Adjusting Shaft-L	1
350 11 002	Brake adjusting Shaft-R	1
350 11 005	Brake Adjusting Cross Shaft	1
350 11 508	Brake Adjuster Dust Cover	2
350 11 008	Brake Adjusting Pin	2
350 11 506	Brake Adjusting Gasket Set	1
W 02 328	Brake Adjusting Pinion Set - R	1

W11015

Brake Adjusting Shaft Cover



W11012

Pinion (Right)

**A164055
68191511**



W11013

Pinion (Left)

**A164052
68191510**



W11505

Brake Adjuster Repair Kit





Impressive CV Spare Parts

FOR IVECO

www.wisgroup.com.tr

W 00 548

Dust Boot

394/381 DUPLEX



W 00 951	Brake Anchor Plunger Seal	1
W 01 103	Brake Adjusting Seal	1

W 00 541

Brake Anchor Plunger Set - L

RBSK0248B.M

394/381 DUPLEX



W 01 890	Brake Adjusting Guide Screw	2
W 00 783	Brake Anchor Plunger - L	2
W 00 951	Brake Anchor Plunger Seal	2

W 00 540

BrakeAnchor Plunger Set - R

RBSK0249B.M

394/381 DUPLEX



W 01 890	Brake Adjusting Guide Screw	2
W 01 881	Brake Anchor Plunger - R	2
W 00 951	Brake Anchor Plunger Seal	2

W 02 333

Brake Adjusting Seal Set

RBSK0251B.M
7980408

394/381 DUPLEX



W 01 103	Brake Adjusting Seal	4
W 00 951	Brake Anchor Plunger Seal	4

W 00 542

Brake Adjusting Repair Kit

RBSK0502B.M

394/381 DUPLEX



W 00 788	Brake Adjusting Guide Pawl	2
W 00 781	Brake Adjusting Actuator	2
W 00 785	Brake Adjusting Plunger	2
W 00 786	Brake Adjustin Bolt	2
W 01 103	Brake Adjusting Seal	2
344 00 003	Brake Adjusting Return Spring	2

W 02 335

Brake Adjusting Bolt Set

394/381 DUPLEX

W 00 786	Brake Adjusting Bolt	2
-----------------	----------------------	---



W 00 786

Brake Adjustin Bolt

42480059

394/381 DUPLEX



W 00 539

Brake Adjusting Plunger Set

RBSK0549B.M

394/381 DUPLEX

W 00 788	Brake Adjusting Guide Pawl	1
W 00 781	Brake Adjusting Actuator	1
W 00 785	Brake Adjusting Plunger	1



W 01 077

Brake Wedge Set

**RBSK0250B.M
7980407**

394/381 DUPLEX



W 00 546 Brake Wedge Assembly 2

W 00 546

Brake Wedge Assembly

42480062

394/381 DUPLEX



W 02 334

Brake Wedge

394/381 DUPLEX



W 00 775

Brake Collet Nut - Short

165017

394/381 DUPLEX



W 00 772

Brake Collet Nut - Long

165005

394/381 DUPLEX



W 00 777

Brake Hold-Down Clip

**2257M1001
2257D108**

394/381 DUPLEX



W 00 776

Hold Down Clip

2257Y1143

394/381 DUPLEX



W 00 778

Hold Down Clip

2257P1004

394/381 DUPLEX



W 00 773

Collet Nut (Short)

165004

394/381 DUPLEX



W 00 774

Collet Nut (Short)

165062

394/381 DUPLEX



W 00 783

Brake Anchor Plunger - L

**2297J4820
2297K4821**

394/381 DUPLEX

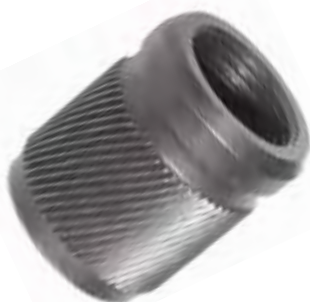


W 00 781

Brake Adjusting Actuator

3280S8131

394/381 DUPLEX



W 00 785

Brake Adjusting Plunger

394/381 DUPLEX



W 00 788

Brake Adjusting Guide Pawl

A2297U4597

394/381 DUPLEX



W 02 331

Brake Adjusting Repair Kit

360 SIMPLEX



W 01 892	Brake Adjusting Guide Pawl	2
W 02 025	Brake Adjusting Plunger	2
W 01 893	Brake Adjusting Actuator Upper	2
W 01 894	Brake Adjusting Actuator Lower	2
W 01 897	Brake Adjusting Bolt	2
W 01 887	Brake Adjusting Seal	2
W 01 888	Brake Adjusting Washer	2
W 01 889	Brake Adjusting Ring	2
W 01 541	Grease - 5 g	2

W 00 544

Brake Adjuster Repair Kit

12 999 403

360 SIMPLEX



W 01 892	Brake Adjusting Guide Pawl	2
W 01 893	Brake Adjusting Actuator Upper	2
W 01 894	Brake Adjusting Actuator Lower	2

W 02 024

Brake Wedge Repair Kit

12 999 402

360 SIMPLEX



W 02 025	Brake Adjusting Plunger	2
W 02 026	Brake Wedge	1
W 01 541	Grease - 5 g	2

W 00 533

Brake Screw & Boot Kit

12 999 418

**360 SIMPLEX
410 SIMPLEX**



W 01 897	Brake Adjusting Bolt	2
W 01 887	Brake Adjusting Seal	2
W 01 888	Brake Adjusting Washer	2
W 01 889	Brake Adjusting Ring	2
W 01 541	Grease - 5 g	2

W 00 549

Brake Seals Repair Kit

12 999 404

**360 SIMPLEX
410 SIMPLEX**



W 01 887	Brake Adjusting Seal	2
W 01 888	Brake Adjusting Washer	2
W 01 889	Brake Adjusting Ring	2

W 01 886

Brake Holder & Wedge Kit

12 999 410

410 SIMPLEX



W 01 885	Brake Adjusting Plunger	2
W 01 884	Brake Wedge	1
W 01 541	Grease - 5 g	2

W 00 534

Brake Adjusting Holder Set

RBSK1407.M

410 SIMPLEX



W 00 787	Brake Adjusting Guide Pawl	1
W 00 779	Brake Adjusting Actuator	1
W 00 784	Brake Adjusting Plunger	1

W 02 332

Brake Adjuster Repair Kit

12 999 411

410 SIMPLEX



W 01 892	Brake Adjusting Guide Pawl	2
W 01 885	Brake Adjusting Plunger	2
W 01 893	Brake Adjusting Actuator Upper	2
W 01 894	Brake Adjusting Actuator Lower	2
W 01 897	Brake Adjusting Bolt	2
W 01 887	Brake Adjusting Seal	2
W 01 888	Brake Adjusting Washer	2
W 01 889	Brake Adjusting Ring	2
W 01 541	Grease - 5 g	2

W 00 543

Brake Adjusting Repair Kit

RBSK1408.M

410 SIMPLEX



W 00 787	Brake Adjusting Guide Pawl	2
W 00 779	Brake Adjusting Actuator	2
W 00 784	Brake Adjusting Plunger	2
W 00 536	Brake Adjusting Bolt	2
W 01 876	Brake Adjusting Seal	2
W 00 746	Brake Adjusting Return Spring	1
W 02 371	Brake Adjusting Return Spring	1

W 02 337

Brake Adjusting Repair Kit

410 SIMPLEX



W 00 787	Brake Adjusting Guide Pawl	4
W 00 779	Brake Adjusting Actuator	4
W 01 898	Brake Adjusting Bolt	4
W 01 876	Brake Adjusting Plunger Seal	4

W 01 884

Brake Wedge

410 SIMPLEX



W 00 545

Brake Wedge Set

RBSK1255.M
RBSK1573.M
RBSK2051.M

410 SIMPLEX



W 01 882	Brake Wedge	2
-----------------	-------------	---

W 00 538

Brake Adjuster Repair Kit

93161560

410 SIMPLEX



W 02 240	Caliper Pad Spring	1
W 02 241	Caliper Clamping Element	1
W 02 242	Buckle	1
W 02 243	Caliper Pad Bar	1
W 02 244	Adjusting Tool	1
W 02 245	Bolt	2
W 02 246	Clip	2

W 00 551

Adjuster Screw

93161624

410 SIMPLEX



W 00 787

Guide Pawl Assembly

A2297N6358

410 SIMPLEX



W 00 547

Brake Adjusting Plunger Seal Kit

93161625
RBSK2030.M

410 SIMPLEX
410 DUPLEX



W 01 876	Brake Adjusting Plunger Seal	4
----------	------------------------------	---

W 02 338

Brake Adjusting Return Spring Kit

RBSK2128.M

410 DUPLEX



W 00 532

Brake Anchor Plunger Set - L

RBSK1600.M
RBSK1607.M

410 DUPLEX



W 00 789	Brake Anchor Guide Screw	2
W 00 782	Brake Anchor Plunger - L	2
W 00 550	Brake Anchor Plunger Seal	2

W 00 531

Brake Anchor Plunger Set - R

RBSK1599.M
RBSK1606.M

410 DUPLEX

W 00 789	Brake Anchor Guide Screw	2
W 01 880	Brake Anchor Plunger - R	2
W 00 550	Brake Anchor Plunger Seal	2



W 00 535

Brake Adjusting Plunger Set

42536195

410 DUPLEX



W 01 891	Brake Adjusting Guide Pawl	1
W 00 780	Brake Adjusting Actuator	1
W 00 784	Brake Adjusting Plunger	1

W 02 336

Brake Adjusting Repair Kit

410 DUPLEX



W 01 891	Brake Adjusting Guide Pawl	4
W 00 780	Brake Adjusting Actuator	4
W 01 898	Brake Adjusting Bolt	4
W 01 876	Brake Adjusting Plunger Seal	4

W 00 950

Brake Adjusting Repair Kit

410 DUPLEX



W 01 891	Brake Adjusting Guide Pawl	2
W 00 780	Brake Adjusting Actuator	2
W 00 784	Brake Adjusting Plunger	2
W 01 898	Brake Adjusting Bolt	2
W 01 876	Brake Adjusting Plunger Seal	2
W 00 747	Brake Adjusting Return Spring	2

W 00 747

Brake Adjusting Return Spring

410 DUPLEX



W 00 746

Brake Adjusting Return Spring

410 DUPLEX



W 00 550

Brake Anchor Plunger Seal

42537841

410 DUPLEX



W 00 779

Brake Adjusting Actuator

3280V8368

410 DUPLEX



W 00 780

Brake Adjusting Actuator

3280T8964

410 DUPLEX



W 00 782

Brake Anchor Plunger - L

**2297H8354
2297J8356**

410 DUPLEX



W 00 784

Brake Adjusting Plunger

410 DUPLEX



W 00 789

Brake Anchor Guide Screw

A3280K8435

410 DUPLEX



W 00 552

Hold Down Clip

8121441

410 PERROT



W 02 494

Brake Hold-Down Clip

**8121441
13304029**

**360 SIMPLEX
410 SIMPLEX**



W 00 791

Sensor Plug

1250Y1013



W 00 792

Sensor Plug

1250Z1014



W 00 790

Rubber Plug

1250L532



W 00 511

Hydraulic Caliper Tappet Cover Repair Kit

93161928



W 02 247

Brake Pad Retainer Bolt Kit

93161843



W 02 244	Bolt	4
W 02 245	Clip	4

344 55 003

Repair Kit, Brake Adjuster

410 SIMPLEX



W 02 493	Brake Adjusting Return Spring	2
W 02 494	Brake Hold-Down Clip	4
W 02 497	Brake Adjusting Return Spring	2

W 01 895

Brake Adjuster Repair Kit

12 999 411

410 SIMPLEX



W 01 892	Brake Adjusting Guide Pawl	2
W 01 894	Brake Adjusting Actuator Lower	2
W 01 896	Repair Kit, Brake Adjuster	2

W 02 487

Brake Adjuster Repair Kit

**42536197
42558432**

410 DUPLEX



W 00 784	Brake Adjusting Plunger	2
W 00 780	Brake Adjusting Actuator	2
W 00 536	Brake Adjusting Bolt	2
W 01 876	Brake Adjusting Plunger Seal	2
W 02 488	Brake Adjusting Return Spring	2
W 01 891	Brake Adjusting Guide Pawl	2
W 01 541	Grease - 5 g	1

W 02 489

Brake Adjusting Seal Set

42537884

410 DUPLEX



W 01 876	Brake Adjusting Plunger Seal	4
W 00 550	Brake Anchor Plunger Seal	4

W 02 496

Brake Adjuster Mechanism

410 SIMPLEX

W 01 885	Brake Adjusting Plunger	1
W 01 894	Brake Adjusting Actuator Lower	1
W 01 897	Brake Adjusting Bolt	1
W 01 888	Brake Adjusting Washer	1
W 01 889	Brake Adjusting Ring	1
W 01 896	Repair Kit, Barake Adjuster	1
W 01 541	Grease - 5 g	1



W 02 513

Brake Adjuster Mechanism

**42536197
42558432**

410 DUPLEX



W 01 893	Brake Adjusting Actuator Upper	1
W 01 894	Brake Adjusting Actuator Lower	1
W 01 897	Brake Adjusting Bolt	1
W 02 025	Brake Adjusting Plunger	1
W 01 888	Brake Adjusting Washer	1
W 01 889	Brake Adjusting Ring	1
W 01 541	Grease - 5 g	1

W 02 495**Brake Adjuster Complete Repair Set****410 SIMPLEX**

W 01 884	Brake Wedge	1
W 02 493	Brake Adjusting Return Spring	1
W 02 497	Brake Adjusting Guide Pawl	1
W 01 892	Brake Adjusting Guide Pawl	2
W 01 885	Brake Adjusting Plunger	2
W 01 894	Brake Adjusting Actuator Lower	2
W 01 897	Brake Adjusting Bolt	2
W 01 887	Brake Adjusting Seal	2
W 01 888	Brake Adjusting Washer	2
W 01 889	Brake Adjusting Ring	2
W 01 896	Repair Kit, Brake Adjuster	2
W 01 541	Grease - 5 g	1

W 02 504**Brake Adjuster Repair Kit****410 SIMPLEX**

W 01 876	Brake Adjusting Plunger Seal	2
W 01 891	Brake Adjusting Guide Pawl	2
W 02 499	Brake Adjusting Actuator	2
W 02 500	Brake Adjusting Plunger	2
W 02 501	Brake Adjusting Bolt	2
W 02 502	Brake Adjusting Return Spring	1
W 02 503	Brake Adjusting Return Spring	1
W 01 541	Grease - 5 g	1

W 02 516**Brake Adjuster Complete Repair Set****360 SIMPLEX**

W 01 892	Brake Adjusting Guide Pawl	2
W 01 893	Brake Adjusting Actuator Upper	2
W 01 894	Brake Adjusting Actuator Lower	2
W 01 897	Brake Adjusting Bolt	2
W 01 887	Brake Adjusting Seal	2
W 02 025	Brake Adjusting Plunger	2
W 01 888	Brake Adjusting Washer	2
W 01 889	Brake Adjusting Ring	2
W 01 541	Grease - 5 g	1
W 02 026	Brake Wedge	1
W 02 493	Brake Adjusting Return Spring	1
W 01 899	Spring	1

W 02 488

Brake Adjusting Return Spring

410 DUPLEX



W 02 492

Brake Adjusting Return Spring Kit

410 DUPLEX

W 02 488 Brake Adjusting Return Spring 4



W 02 490

Brake Collet Nut

1227K1337
93163852

410 DUPLEX
410 SIMPLEX



W 02 491

Brake Adjusting Return Spring

410 DUPLEX



W 02 493

Brake Adjusting Return Spring

**360 SIMPLEX
410 SIMPLEX**



W 01 896 Brake Adjusting Actuator Upper (Ø38x21,50 mm)

410 SIMPLEX



W 02 497

Brake Adjusting Return Spring

410 SIMPLEX



W 02 498

Brake Adjusting Return Spring Kit

410 SIMPLEX

W 02 493	Brake Adjusting Return Spring	2
W 02 497	Brake Adjusting Return Spring	2



W 02 499

Brake Adjusting Actuator

410 SIMPLEX



W 02 500

Brake Adjusting Plunger

410 SIMPLEX



W 00 536

Brake Adjusting Bolt

42537758

410 SIMPLEX



W 02 502

Brake Adjusting Return Spring

410 SIMPLEX



W 02 503

Brake Adjusting Return Spring

410 SIMPLEX



W 02 505

Brake Anchor Plunger - Angle 5° - L

1259A1015

410 SIMPLEX



W 02 506

Brake Anchor Plunger - Angle 5° - R

1259Z1014

410 SIMPLEX



W 02 507

Brake Anchor Plunger - Angle 15° - L

410 SIMPLEX





W 02 509

Brake Anchor Plunger Kit - L

410 SIMPLEX

W 02 505	Brake Anchor Plunger - Angle 5° - L	1
W 02 507	Brake Anchor Plunger - Angle 15° - L	1



W 02 510

Brake Anchor Plunger Kit - R

410 SIMPLEX



W 02 506	Brake Anchor Plunger - Angle 5° - R	1
W 02 508	Brake Anchor Plunger - Angle 15° - R	1

W 02 511

Brake Hold-Down Clip

225781004

410 SIMPLEX



W 02 512

Brake Adjusting Return Spring Kit

93161627
93162113
RBSK2128.M

410 SIMPLEX



W 02 514

Brake Adjusting Actuator Upper (Ø36x18,50 mm)

360 SIMPLEX



W 02 515

Brake Adjuster Repair Kit

12 999 135
8124815

360 SIMPLEX



W 01 892	Brake Adjusting Guide Pawl	2
W 01 894	Brake Adjusting Actuator Lower	2
W 02 514	Brake Adjusting Actuator Upper	2

W 01 899

Spring

360 SIMPLEX



W 02 517

Brake Adjusting Return Spring Kit

360 SIMPLEX



W 01 899	Spring	4
W 02 494	Brake Hold-Down Clip	4